

# RP73PF1E100RBTDF ✓ ACTIVE

TE Internal #: 9-2176309-7

Surface Mount Resistors, Precision Resistor, 2 Terminations, Size Code 0402, Taped & Reeled, .1%, Thin Film, Resistance Range Up to 1kΩ Ω

[View on TE.com >](#)



Passive Components > Resistors > Surface Mount Resistors



Resistor Type: **Precision Resistor**

Number of Terminations: **2**

Size Code: **0402**

Packaging Method: **Taped & Reeled**

Tolerance: **.1%**

## Features

### Product Type Features

Product Type	Fixed Resistor
Resistor Type	Precision Resistor
Size Code	0402
Element Type	Thin Film

### Configuration Features

Number of Resistors	1
---------------------	---

### Electrical Characteristics

Voltage Rating	25 V
Tolerance	.1%
Resistance Range	Up to 1kΩ Ω
Resistance	100 Ω
Power Rating	.1 W

### Termination Features

Number of Terminations	2
------------------------	---



Termination Type Solder

**Mechanical Attachment**

Mount Style Surface Mount

**Dimensions**

Dimensions 1 x .5 x .3 mm

**Usage Conditions**

Operating Temperature Range -55 – 155 °C

Temperature Coefficient ±25 ppm/°C

**Packaging Features**

Packaging Method Taped & Reeled

**Product Compliance**

[For compliance documentation, visit the product page on TE.com>](#)

EU RoHS Directive 2011/65/EU Compliant

EU ELV Directive 2000/53/EC Compliant

China RoHS 2 Directive MIIT Order No 32, 2016 No Restricted Materials Above Threshold

EU REACH Regulation (EC) No. 1907/2006  
 Current ECHA Candidate List: JAN 2020 (205)  
 Candidate List Declared Against: JAN 2020 (205)  
 Does not contain REACH SVHC

EU REACH Regulation (EC) No. 1907/2006  
 Current ECHA Candidate List: JAN 2020 (205)  
 Candidate List Declared Against: JAN 2020 (205)

Halogen Content Low Halogen - Br, Cl, F, I < 900 ppm per homogenous material. Also BFR/CFR/PVC Free

Solder Process Capability Reflow solder capable to 260°C

**Product Compliance Disclaimer**

This information is provided based on reasonable inquiry of our suppliers and represents our current actual knowledge based on the information they provided. This information is subject to change. The part numbers that TE has identified as EU RoHS compliant have a maximum concentration of 0.1% by weight in homogenous materials for lead, hexavalent chromium, mercury, PBB, PBDE, DBP, BBP, DEHP, DIBP, and 0.01% for cadmium, or qualify for an exemption to these limits as defined in the Annexes of Directive 2011/65/EU (RoHS2). Finished electrical and electronic equipment products will be CE marked as required by Directive 2011/65/EU. Components may not be CE marked. Additionally, the part numbers that TE has identified as EU ELV compliant have a maximum concentration of 0.1% by weight in homogenous materials for lead, hexavalent chromium, and mercury, and 0.01% for cadmium, or qualify for an exemption to these limits as defined in the Annexes of Directive 2000/53/EC (ELV). Regarding the REACH Regulations, TE's information on SVHC in articles for this part number is still based on the European Chemical Agency (ECHA) 'Guidance on requirements for

substances in articles' (Version: 2, April 2011), applying the 0.1% weight on weight concentration threshold at the finished product level. TE is aware of the European Court of Justice ruling of September 10th, 2015 also known as O5A (Once An Article Always An Article) stating that, in case of 'complex object', the threshold for a SVHC must be applied to both the product as a whole and simultaneously to each of the articles forming part of its composition. TE has evaluated this ruling based on the new ECHA "Guidance on requirements for substances in articles" (June 2017, version 4.0) and will be updating its statements accordingly.

## Compatible Parts



TE Model / Part # 1-2176092-8  
RP 2A 0.25W 1K0 0.1% 25PPM 1K RL



TE Model / Part # 2176093-5  
RP 2A 0.25W 10K 0.1% 25PPM 1K RL



TE Model / Part # 1625867-2  
RP 1J 0.166W 10K 0.1% 25PPM 1K RL

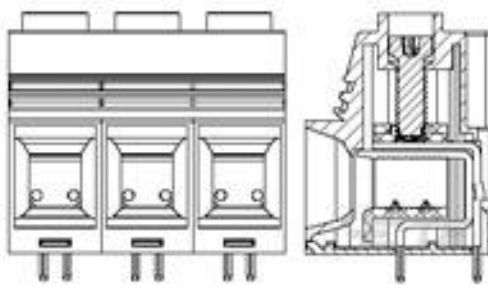


TE Model / Part # 2176308-5  
RP 1E 0.1W 147K 0.1% 25PPM 5K RL



TE Model / Part # 2-2176308-7  
RP 1E 0.1W 249K 0.1% 25PPM 5K RL

## Customers Also Bought



TE Model / Part #1986242-2  
Power Connector, 15.0mm, Green, 2 posn



TE Model / Part #CW4363-000  
R85049/88-17N02



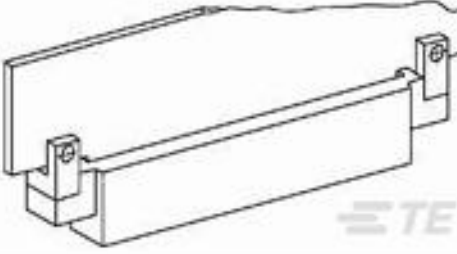
TE Model / Part #1825422-1  
TRD13D10QC04 rocker switch



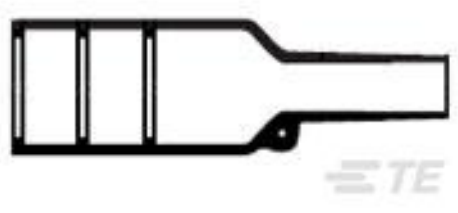
TE Model / Part #2118730-2  
STD SHIELD FRAME, CRS-44.00X30.50X3.00MM



TE Model / Part #5745455-2  
09 RCPT ACT PIN/AP HIGH SCRLK



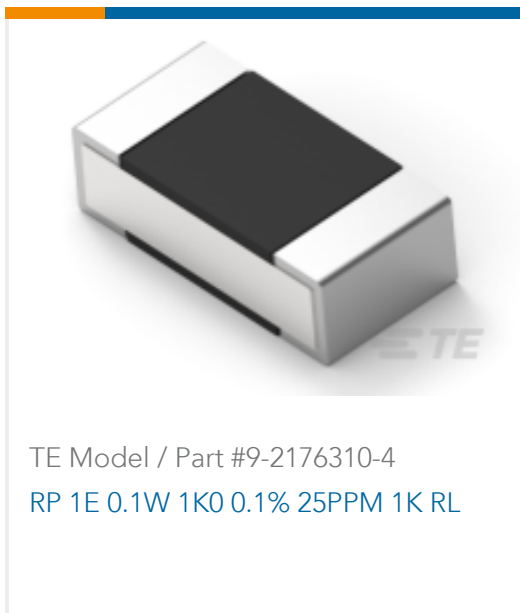
TE Model / Part #5-531250-4  
CARD EDGE BOARD RETAINER LF



TE Model / Part #812861-000  
202K232-3-0



TE Model / Part #2176309-1  
RP 1E 0.1W 10R 0.1% 25PPM 1K RL



## Documents

### Product Drawings

[RP 1E 0.1W 100R 0.1% 25PPM 1K RL](#)

English

### CAD Files

[3D PDF](#)

3D

Customer View Model

[ENG\\_CVM\\_CVM\\_9-2176309-7\\_BA.2d\\_dxf.zip](#)

English

Customer View Model

[ENG\\_CVM\\_CVM\\_9-2176309-7\\_BA.3d\\_igs.zip](#)

English

Customer View Model

[ENG\\_CVM\\_CVM\\_9-2176309-7\\_BA.3d\\_stp.zip](#)

English

By downloading the CAD file I accept and agree to the [Terms and Conditions](#) of use.

### Datasheets & Catalog Pages

[RP73-0915](#)

English