



Neohm | Neohm CPF

TE Internal #: 1614885-6

Neohm CPF, Surface Mount Resistors, Precision Resistor, 2 Terminations, Size Code 0805, Taped & Reeled, .1%, Thin Film, Resistance Range 1kΩ – 1MΩ Ω

[View on TE.com >](#)

Passive Components > Resistors > Surface Mount Resistors



Resistor Type: **Precision Resistor**

Number of Terminations: **2**

Size Code: **0805**

Packaging Method: **Taped & Reeled**

Tolerance: **.1%**

Features

Product Type Features

Product Type	Fixed Resistor
Resistor Type	Precision Resistor
Size Code	0805
Element Type	Thin Film

Configuration Features

Number of Resistors	1
---------------------	---

Electrical Characteristics

Voltage Rating	100 V
Tolerance	.1%
Resistance Range	1kΩ – 1MΩ Ω
Resistance	91K Ω
Power Rating	.1 W

Termination Features

Number of Terminations	2
Termination Type	Solder

Mechanical Attachment

Mount Style	Surface Mount
-------------	---------------

Dimensions



Dimensions	2 x 1.25 x .5 mm
------------	------------------

Usage Conditions

Temperature Coefficient	±25 ppm/°C
-------------------------	------------

Packaging Features

Packaging Method	Taped & Reeled
------------------	----------------

Product Compliance

[For compliance documentation, visit the product page on TE.com>](#)

EU RoHS Directive 2011/65/EU	Compliant
EU ELV Directive 2000/53/EC	Compliant
China RoHS 2 Directive MIIT Order No 32, 2016	No Restricted Materials Above Threshold
EU REACH Regulation (EC) No. 1907/2006	Current ECHA Candidate List: JAN 2020 (205) Candidate List Declared Against: JUL 2019 (201) Does not contain REACH SVHC
EU REACH Regulation (EC) No. 1907/2006	Current ECHA Candidate List: JAN 2020 (205) Candidate List Declared Against: JUL 2019 (201)
Halogen Content	Not Low Halogen - contains Br or Cl > 900 ppm.
Solder Process Capability	Reflow solder capable to 260°C

Product Compliance Disclaimer

This information is provided based on reasonable inquiry of our suppliers and represents our current actual knowledge based on the information they provided. This information is subject to change. The part numbers that TE has identified as EU RoHS compliant have a maximum concentration of 0.1% by weight in homogenous materials for lead, hexavalent chromium, mercury, PBB, PBDE, DBP, BBP, DEHP, DIBP, and 0.01% for cadmium, or qualify for an exemption to these limits as defined in the Annexes of Directive 2011/65/EU (RoHS2). Finished electrical and electronic equipment products will be CE marked as required by Directive 2011/65/EU. Components may not be CE marked. Additionally, the part numbers that TE has identified as EU ELV compliant have a maximum concentration of 0.1% by weight in homogenous materials for lead, hexavalent chromium, and mercury, and 0.01% for cadmium, or qualify for an exemption to these limits as defined in the Annexes of Directive 2000/53/EC (ELV). Regarding the REACH Regulations, TE's information on SVHC in articles for this part number is still based on the European Chemical Agency (ECHA) 'Guidance on requirements for substances in articles' (Version: 2, April 2011), applying the 0.1% weight on weight concentration threshold at the finished product level. TE is aware of the European Court of Justice ruling of September 10th, 2015 also known as O5A (Once An Article Always An Article) stating that, in case of 'complex object', the threshold for a SVHC must be applied to both the product as a whole and simultaneously to each of the articles forming part of its composition. TE has evaluated this ruling based on the new ECHA "Guidance on requirements for substances in articles" (June 2017, version 4.0) and will be updating its statements accordingly.

Compatible Parts



TE Model / Part # 3-1879216-5
CPF0402 200K 0.1% 25PPM 1K RL



TE Model / Part # 1-1879417-9
CPF 0603 1M0 0.1% 25PPM 1K RL



TE Model / Part # 1879417-8
CPF0603 1M0 0.1% 25PPM 5K RL



TE Model / Part # 1-1614959-4
CPF0805 2M0 0.1% 25PPM 1K RL

TE Model / Part # 9-1879216-1
CPF 0402 158K 0.1% 25PPM 5K RL

Also in the Series | Neohm CPF



Surface Mount Resistors(3022)

Customers Also Bought



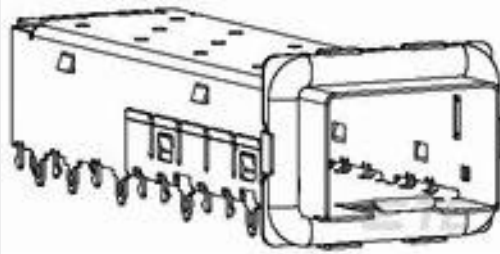
TE Model / Part #63941-1
RCPT 187 FL/FAST AMVR 0157TPBR



TE Model / Part #2170112-2
Cage Assy SAN Hsink QSPF Behind Bezel



TE Model / Part #2-1624113-8
3650 2A 8.7nH 5% 2K RL



TE Model / Part #2057086-2
SFP+ Enhanced 1x1 Cage Assembly



TE Model / Part #5-1614891-3
CPF 0805 255R 0.1% 25PPM 1K RL



TE Model / Part #1-1614885-4
CPF 0805 270K 0.1% 25PPM 1K RL



TE Model / Part #2267087-8
RMD1R102VS2QES



TE Model / Part #5-1614893-9
CPF 0805 54K9 0.1% 25PPM 1K RL



Documents

Product Drawings

[CPF 0805 91K 0.1% 25PPM 1K RL](#)

English

CAD Files

[3D PDF](#)

3D

Customer View Model

[ENG_CVM_CVM_1614885-6_BA.2d_dxf.zip](#)

English

Customer View Model

[ENG_CVM_CVM_1614885-6_BA.3d_igs.zip](#)

English

Customer View Model

[ENG_CVM_CVM_1614885-6_BA.3d_stp.zip](#)

English

By downloading the CAD file I accept and agree to the [Terms and Conditions](#) of use.

Datasheets & Catalog Pages

[1309350_PASSIVE_COMPONENT](#)

English

[CPF-1016](#)

English

[8-1773459-4_POWER_FILTERING_AND_RESISTIVE_SOLUTIONS_FOR_ELEVATORS_AND_ESCALATORS](#)

English