

### Main

Range	Lineryg
Product name	FT
Device short name	GV3G
Product or component type	Comb busbar
Accessory / separate part category	Connection accessory
Poles description	3P
Range compatibility	TeSys D TeSys K TeSys U TeSys GV3
Product compatibility	GV3P LC1D40A...D65A GV3L
Number of tap-offs	2
[I <sub>th</sub> ] conventional free air thermal current	115 A
Connection pitch	64 mm

### Complementary

Mounting location	On terminal
[U <sub>i</sub> ] rated insulation voltage	690 V
Net weight	0.15 kg

### Offer Sustainability

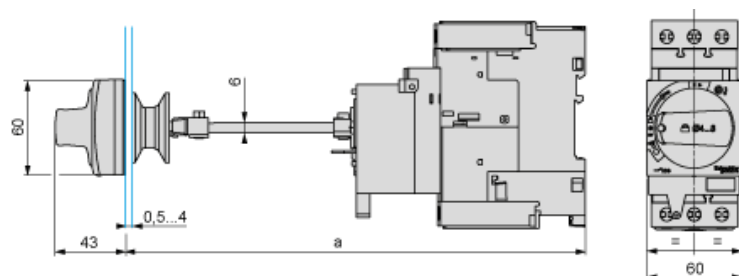
Sustainable offer status	Green Premium product
REACH Regulation	<a href="#">REACH Declaration</a>
EU RoHS Directive	Compliant <a href="#">EU RoHS Declaration</a>
Mercury free	Yes

RoHS exemption information	<a href="#">Yes</a>
China RoHS Regulation	<a href="#">China RoHS declaration</a> Product out of China RoHS scope. Substance declaration for your information
Environmental Disclosure	<a href="#">Product Environmental Profile</a>
WEEE	The product must be disposed on European Union markets following specific waste collection and never end up in rubbish bins

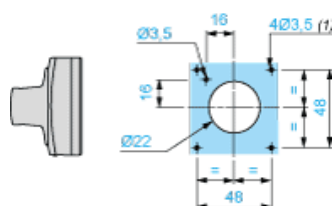
### Contractual warranty

Warranty	18 months
----------	-----------

Mounting of External Operator GV3APN01, GV3APN02 or GV3APN04 for Motor Circuit Breakers GV3L

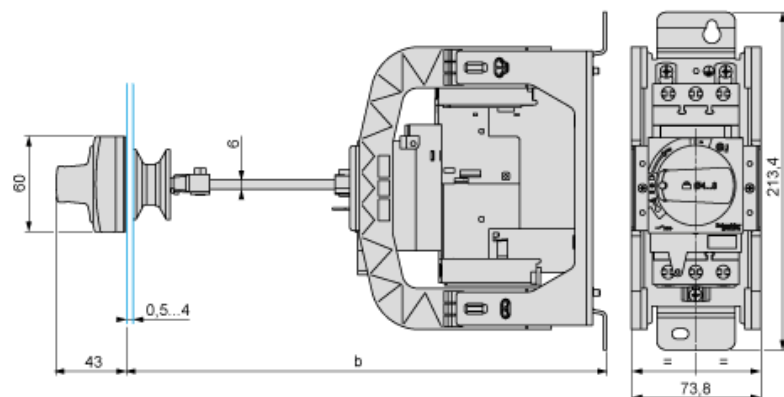


Door cut-out



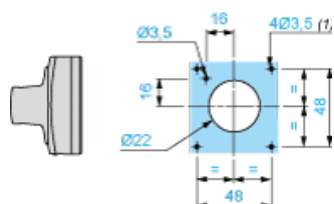
(1) For IP65 only.

Mounting of External Operator GVAPH03 for Motor Circuit Breakers GV3L



	b	
	Minimum	Maximum
GV3APN.. + GVAPH03	200	300
GV3APN.. + GVAPH03 + GVAPK12	300	492

Door cut-out



(1) For IP65 only.