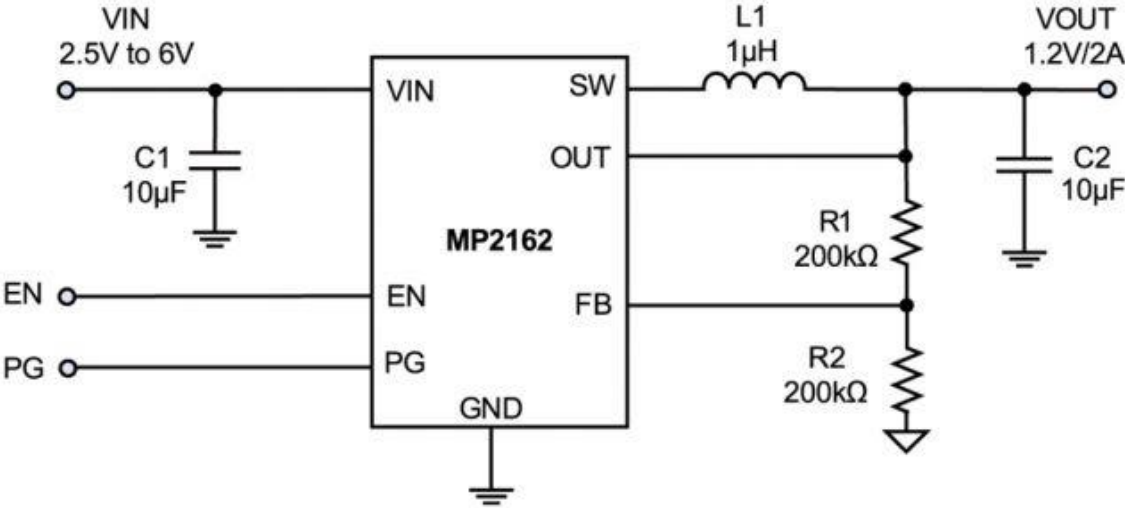




MP2162BGQH-P

High Efficiency, 2A, 6V, 1.5MHz, 17uA Iq, COT Synchronous Step Down Converter with PG in Ultra-small 2x1.5mm QFN



Description

The MP2162 is a monolithic step-down switch mode converter with built-in internal power MOSFETs. It achieves 2A continuous output current from a 2.5V to 6V input voltage with excellent load and line regulation. The output voltage can be regulated as low as 0.6V.

Features and Benefits

- Very Low IQ: 17Ma
- Default 1.5MHz Switching Frequency
- EN and Power Good for Power Sequencing
- Ultra-small 2x1.5mm QFN8 Package
- Wide 2.5V to 6V Operating Input Range Output Adjustable from 0.6V

- Up to 2A Output Current
- 100mΩ and 60mΩ Internal Power MOSFET Switches
- Cycle-by-Cycle Over Current Protection
- Short Circuit Protect with Hiccup Mode
- Stable with Low ESR Output Ceramic Capacitors