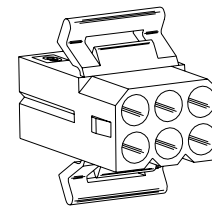
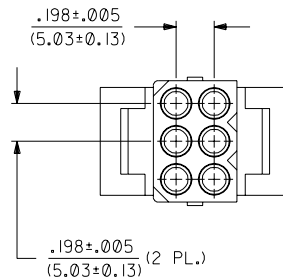
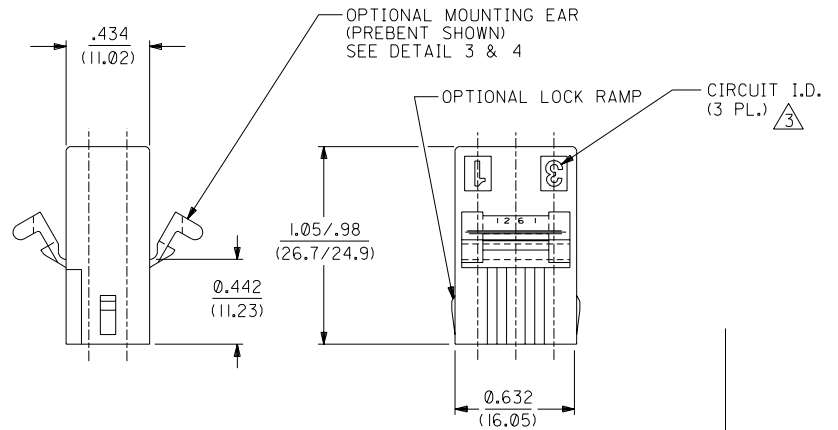
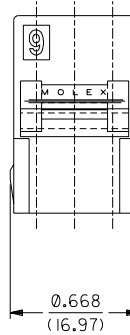
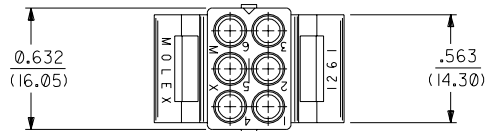


**PLUG**



**RECEPTACLE**

X2	ADD -PI-300&R3-300 UCP2003-1992 ELHAG 03-03-20
X1	REVISED UCR1998-0140 WANG 98-04-09
X	REVISE PER ECR U1 1800 CXC 5/28/92 RW
W	CORRECTED DIM. ECN * U1 0803 4-19-91 RW
V	REV'D. & REDRAWN PER ECR U9 1099 11/6/89 COMSTOCK

DIMENSIONS SHOWN (METRIC) INCH UNLESS OTHERWISE SPECIFIED TOLERANCES: ANGULAR ± .045 2°		▽ = 0   ▽ = 0   REVISE ONLY ON CAD SYSTEM	
TITLE 093/(2.36) HOUSING, PLUG AND RECEPTACLE, 6 CKT., .198/(5.03) CTRS.		PART NO. SD-1261-*	
DRAWN BY: GWF   CHECK'D BY: RW   SCALE: 2:1		DATE: 11/6/89	
APPRO'D BY: GWF		SHEET NO. 1 of 2	
FILE NAME: H125 IXL1 564		DIV. CP	
THIS DRAWING CONTAINS INFORMATION THAT IS PROPRIETARY TO MOLEX INC. AND SHOULD NOT BE USED WITHOUT WRITTEN PERMISSION.			

PLUG	
PART NO.	ENG. NO.
03-09-2061	I261-P
23-09-2061	I261-P-100
03-09-2062	I261-PI
23-09-2062	I261-PI-100
03-09-7061	I261-PBK
03-09-7062	I261-PIBK
27-09-2093	I261-PI-200
50-29-0099	I261-PI-300

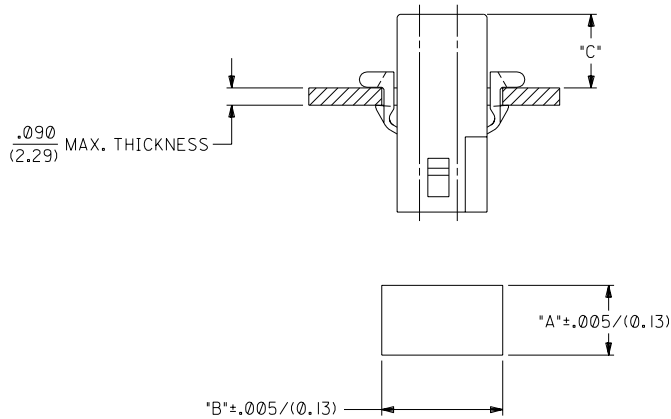
RECEPTACLE	
PART NO.	ENG. NO.
03-09-1061	I261-R
23-09-1061	I261-R-100
03-09-1062	I261-R1
23-09-1062	I261-R1-100
03-09-1063	I261-R2
23-09-1063	I261-R2-100
03-09-1064	I261-R3
27-09-1063	I261-R2-200
03-09-6064	I261-R3BK
03-09-6063	I261-R2BK
03-09-6062	I261-RIBK
03-09-6061	I261-RBK
50-29-1500	I261-R3-300

LEGEND: PLUG

I261-P\*\*\*-\*\*\*  
P = PLUG  
BLANK = PLUG WITH PREBENT MOUNTING EARS  
I = PLUG WITHOUT MOUNTING EARS  
COLOR: BLANK=NATURAL COLOR  
AM=AMBER BK=BLACK BU=BLUE  
BN=BROWN GY=GRAY GN=GREEN  
OR=ORANGE RD=RED YW=YELLOW  
MATERIAL: BLANK = NYLON 6/6, U.L. 94V-2  
100 = POLYPROPYLENE, U.L. 94V-0  
200 = NYLON 6/6, U.L. 94V-0, RED  
300 = NYLON 6/6, U.L. 94V-2, BLACK  
UV RESISTANT

LEGEND: RECEPTACLE

I261-R\*\*\*-\*\*\*  
R = RECEPTACLE  
BLANK = WITH STD. MOUNTING EARS, WITH LOCK RAMPS  
1 = WITH STD. MOUNTING EARS, WITHOUT LOCK RAMPS  
2 = WITHOUT MOUNTING EARS, WITHOUT LOCK RAMPS  
3 = WITHOUT MOUNTING EARS, WITH LOCK RAMPS  
4 = WITH PREBENT MOUNTING EARS, WITH LOCK RAMPS  
5 = WITH PREBENT MOUNTING EARS, WITHOUT LOCK RAMPS  
COLOR: BLANK=NATURAL COLOR  
AM=AMBER BK=BLACK BU=BLUE  
BN=BROWN GY=GRAY GN=GREEN  
OR=ORANGE RD=RED YW=YELLOW  
MATERIAL: BLANK = NYLON 6/6, U.L. 94V-2  
100 = POLYPROPYLENE, U.L. 94V-0  
200 = NYLON 6/6, U.L. 94V-0, RED  
300 = NYLON 6/6, U.L. 94V-2, BLACK  
UV RESISTANT

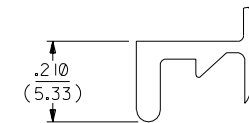


MOUNTING HOLE CUTOUT

HOUSING	DIM. "A"	DIM. "B"	DIM. "C" (STD. EAR)	DIM. "C" (PREBENT)
PLUG	.750/(19.05)	.695/(17.65)	.39/(9.9)	.40/(10.1)
RECEPTACLE	.718/(18.24)	.600/(15.24)	.40/(10.1)	.41/(10.3)

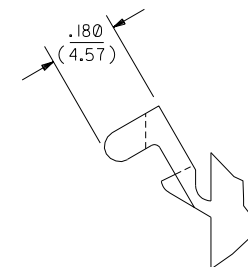
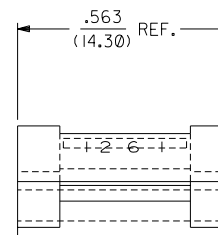
NOTES:

- THESE PARTS COMPLY WITH MOLEX PRODUCT SPEC. 02-09.
- HOUSINGS FOR USE WITH MOLEX .093/(2.36) PIN AND SOCKET TERMINALS.
- CIRCUIT I.D. NUMBERS ON SIDE OF HOUSING APPEAR ON PARTS FROM TOOLS BUILT AFTER 9/3/91.
- WHERE DENOTED IN CHART, TOOLS ARE BUILT WITH PREBENT MOUNTING EARS PER DETAIL 4 AND SUPERSEDE ALL TOOLS PREVIOUSLY BUILT WITH THE STANDARD MOUNTING EAR.



DETAIL 3

.093/(2.36) STANDARD MOUNTING EAR  
(SCALE 4:1)



DETAIL 4

.093/(2.36)PREBENT MOUNTING EAR  
(SCALE 4:1)

DIMENSIONS SHOWN (METRIC) INCH  
UNLESS OTHERWISE SPECIFIED  
TOLERANCES: ANGULAR  $\pm$  .25° 20

PLACE	INCH	METRIC
3 PLACE	$\pm$ .007	---
2 PLACE	$\pm$ .010	$\pm$ 0.18
1 PLACE	---	$\pm$ 0.25

DRAFT WHERE APPLICABLE MUST REMAIN WITHIN DIMENSIONS

DRWG. BY: GWC CHK'D. BY: RW  
APP'D. BY: GWF SCALE: 4 : 1

THIS DRAWING CONTAINS INFORMATION THAT IS PROPRIETARY TO MOLEX INC. AND SHOULD NOT BE USED WITHOUT WRITTEN PERMISSION.

REVISE ONLY ON CAD SYSTEM

TITLE: .093/(2.36) HOUSING, PLUG AND RECEPTACLE, 6 CKT., .198/(5.03) CTRS.

FROM: MOLEX INCORPORATED U.S.A. SHEET NO. 2 DATE 11/10/89

PART NO. SD-1261-\*

SEE CHART

LTR.	REVISIONS	LTR.	REVISIONS
	X2		SEE SHEET 1
	X1		SEE SHEET 1
	X		SEE SHEET 1
	V		SEE SHEET 1