

Type: **M22-WR3**  
 Article No.: **216863**



Ordering information			
Function:			60°
Function: Function			
Function:			60°
Design			With rotary head
Description			3 positions
Front ring			Front ring: titanium
Protection type			IP66

### Button plate



### Notes concerning the product group

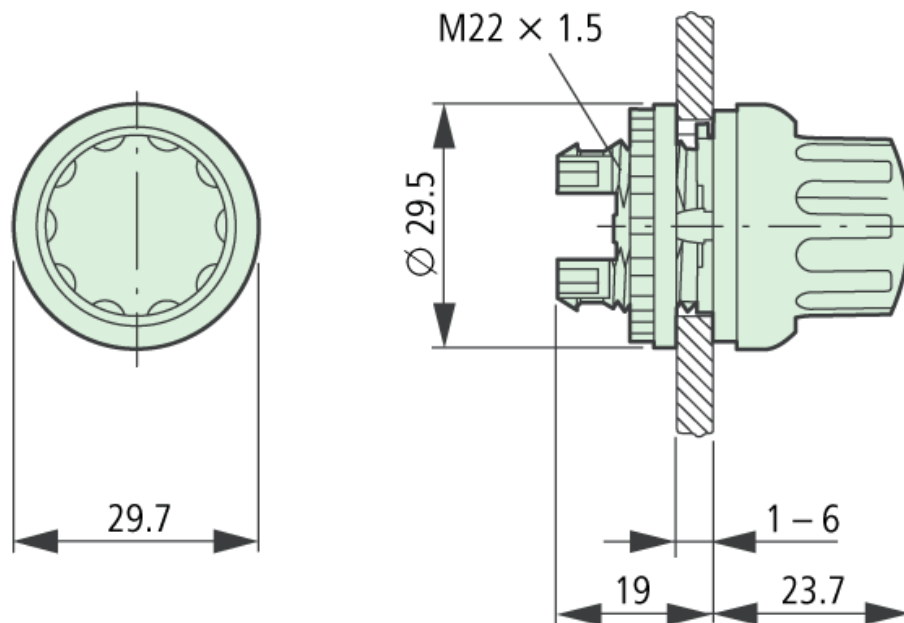
Front ring gold-plated, → 274150

General			
Standards			IEC/EN 60947 VDE 0660
Lifespan, mechanical	Operations	× 10 <sup>6</sup>	> 0,1
Operating frequency	Operations/h		2000
Operating torque (screw terminals)		Nm	0,3
Degree of protection, IEC/EN 60529			IP66
Climatic proofing			Damp heat, constant, to IEC 60068-2-78 Damp heat, cyclic, to IEC 60068-2-30

Ambient temperature			
Open		°C	-25/70
Mounting position			As required
Mechanical shock resistance according to IEC 60068-2-27 Shock duration 11 ms, half-sinusoidal		g	> 30

## Dimensions

### Dimensions



Moeller GmbH, Hein-Moeller-Str. 7-11, D-53115 Bonn  
E-Mail: [catalog@moeller.net](mailto:catalog@moeller.net), Internet: [www.moeller.net](http://www.moeller.net), <http://catalog.moeller.net>  
Copyright 2006 by Moeller GmbH. Subject to modifications. HPL-C2006GB-INT V2.3