

Type: **M22-CK10**
 Article No.: **216384**



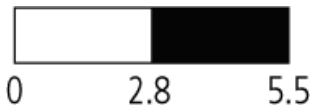
Ordering information

Connection technique			Springloaded terminals
Description			Front fixing
Auxiliary contacts: = safety function, by positive opening to IEC/EN 60947-5-1 N/O = Normally open			1 N/O

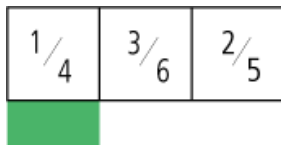
Contact sequence



Contact travel diagram, stroke in connection with front element



Configuration



Notes concerning the table header



x = sequence number on fixing adapter

y = function number on contact element

Assignment: Assignment of the fixing adapter with sequence numbers according to EN 50013

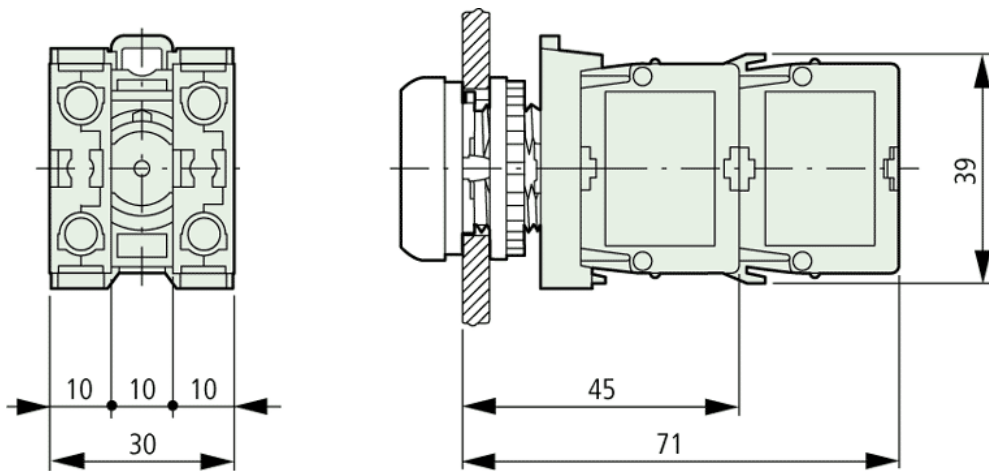
General

Standards			IEC/EN 60947 VDE 0660
Lifespan, mechanical	Operations	$\times 10^6$	> 5
Operating frequency	Operations/h		3600
Operating force		n	5
Operating torque (screw terminals)		Nm	0,8
Degree of protection, IEC/EN 60529			IP 20
Climatic proofing			Damp heat, constant, according to IEC 60068-2-78 Damp heat, cyclical to IEC 60068-2-30
Ambient temperature			
Open		°C	-25/70
Mounting position			As required
Mechanical shock resistance to IEC 60068-2-27 Shock duration 11 ms, half-sinusoidal		g	> 30
Terminal capacities			
Solid		mm ²	0.75 – 2.5
Stranded		mm ²	0.5 – 2.5
Contacts			
Rated impulse withstand voltage	U_{imp}	V AC	6000
Rated insulation voltage	U_i	V	500
Overtoltage category/pollution degree			III/3
Control circuit reliability			
at 24 V DC/5 mA	H_F	Fault probability	$< 10^{-7}$, < 1 fault in 10^7 operations
at 5 V DC/1 mA	H_F	Fault probability	$< 5 \times 10^{-6}$, < 1 fault in 5×10^6 operations
Max. short-circuit protective device			
Fuseless		Type	PKZM0-10/FAZ-B6/1
Fuse	gG/gL	A	10
Switching capacity			
Rated operational current			
AC-15			
115 V	I_e	A	4
230 V	I_e	A	4

400 V	I_e	A	2
500 V	I_e	A	2
DV-13			
24 V	I_e	A	3
42 V	I_e	A	1,7
60 V	I_e	A	1,2
110 V	I_e	A	0,8
220 V	I_e	A	0,3
Lifespan, electrical			
AC-15			
230 V/0.5 A	Operations	$\times 10^6$	1,6
230 V/1.0 A	Operations	$\times 10^6$	1
230 V/3.0 A	Operations	$\times 10^6$	0,7
DV-13			
12 V/2.8 A	Operations	$\times 10^6$	1,2

Dimensions

Dimensions



Moeller GmbH, Hein-Moeller-Str. 7-11, D-53115 Bonn
 E-Mail: catalog@moeller.net, Internet: www.moeller.net, <http://catalog.moeller.net>
 Copyright 2006 by Moeller GmbH. Subject to modifications. HPL-C2006GB-INT V2.3