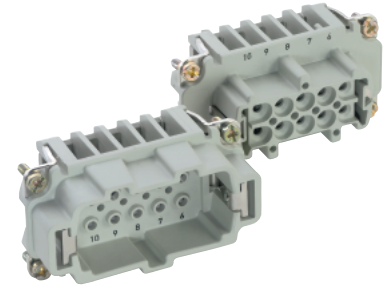
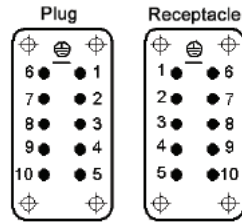
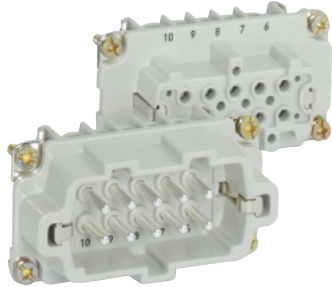


### HBE 10 SCREW & CRIMP TERMINATED INSERTS

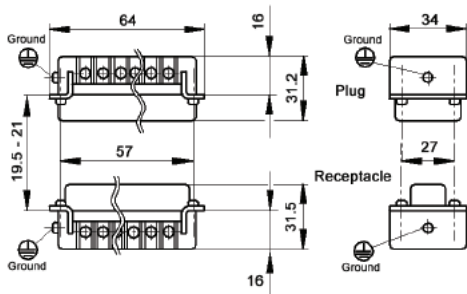
#### SCREW TERMINATED

View from Cable Side

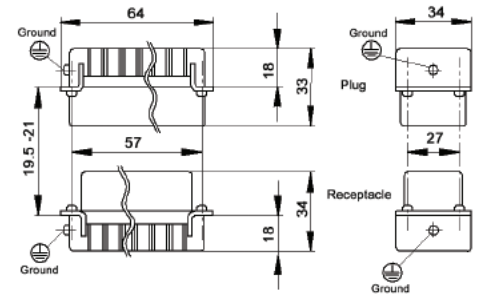
#### CRIMP TERMINATED



Contacts Sold Separately



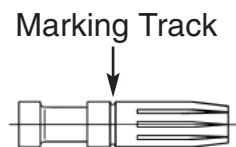
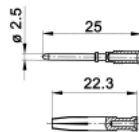
All dimensions are in mm.



Description	Plug	Receptacle
Screw Terminated with wire protection	10192000	10193000
Screw Terminated without wire protection	10192100	10193100
Crimp Terminated: Machine	10182000	10183000



### MACHINED CONTACTS: DIAMETER 2.5 MM<sup>2</sup>



Bags of 100							
mm <sup>2</sup>	AWG	Silver		Gold		Stripping Length (mm)	# of Marking Tracks
		Pin	Socket	Pin	Socket		
0.5	20	11190000	11195000	11192000	11197000	Pin=7.4, Socket =7.3	-
.75 - 1.0	18	11190100	11195100	11192100	11197100	Pin=7.4, Socket =7.3	1
1.5	16	11190200	11195200	11192200	11197200	Pin=7.4, Socket =7.3	2
2.5	14	11190300	11195300	-	-	Pin=7.4, Socket =7.3	3
4.0	12	11190400	11195400	-	-	Pin=7.4, Socket =7.3	-

Part number= 1 contact



**Crimp Tool**  
11147000



**Crimp Dies**  
11147100

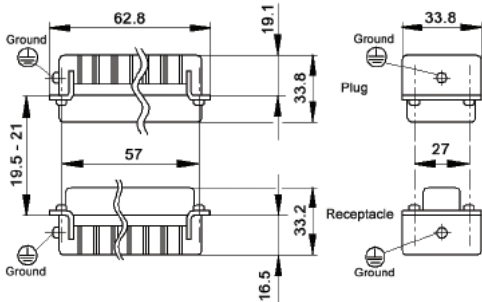


**Locator**  
11147200

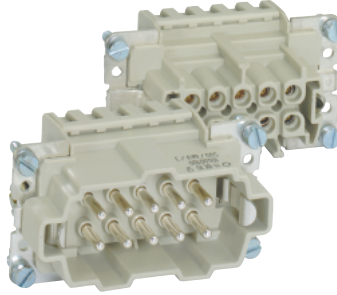
For removal of contacts use a slotted screwdriver.  
No special tool is necessary.

Please note that the crimp range for this tool is 0.14 to 4.0 mm<sup>2</sup> (AWG 26 - 12) with the appropriate crimp dies.

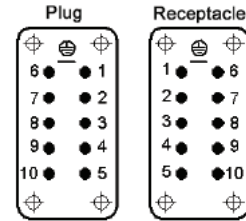
### HBE 10 SCREWLESS SPRING CAGE CLAMP INSERTS



All dimensions are in mm.

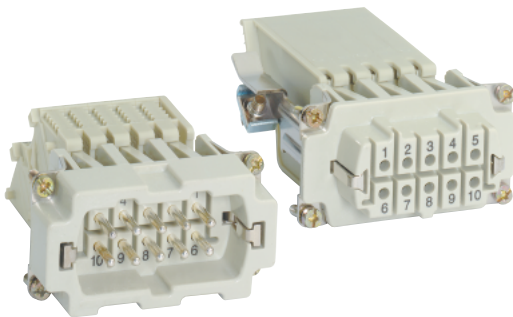


View from Cable Side

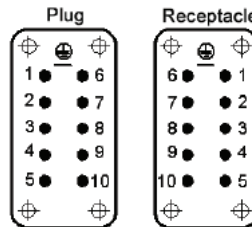


Description	Plug	Receptacle
Screwless Cage Clamp	10400100	10401100

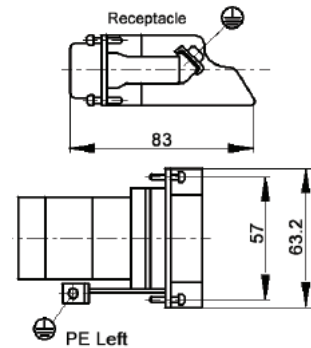
### HBE 10 SCREW TERMINATED TERMINAL BLOCK INSERTS



View from Cable Side



All dimensions are in mm.



These terminal block inserts only fit in HBE 10 panel mount bases

One terminal block insert mates with one screw terminated insert.

Description	Receptacle
Terminal Block: Left Ground	70312100