

Type: **NHI-E-11-PKZO**

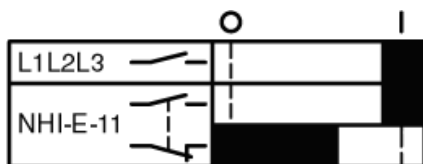
Article No.: **082882**



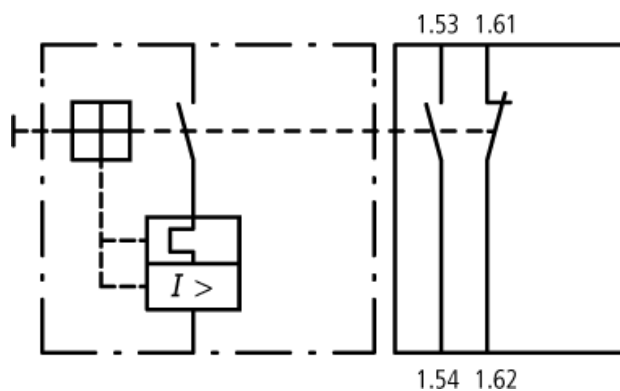
Ordering information

Contacts N/O = Normally open		1 N/O
Contacts N/C = Normally closed		1 N/C
Connection technique		Screw terminals
For use with		PKZM01 PKZM0 PKZM4 PKZM0-T PKM0

Contact diagram



Contact sequence

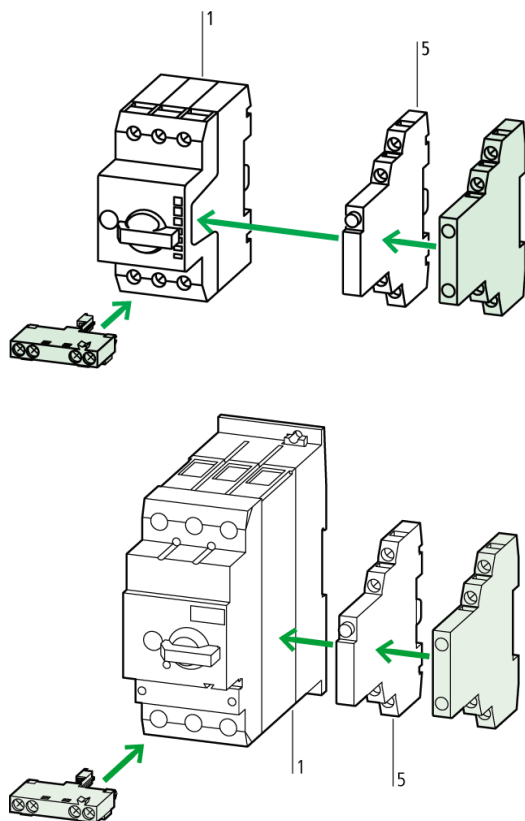


Note concerning the product

Can be fitted to motor-protective circuit-breakers, transformer-protective circuit-breakers, motor-protective circuit-breakers for starter combinations from Serial No. 01.

The 45 mm (PKZM0) or 55 mm (PKZM4) widths of the motor-protective circuit-breakers remain unchanged.

Notes concerning the product group



Accessories

1 Motor-protective circuit-breakers

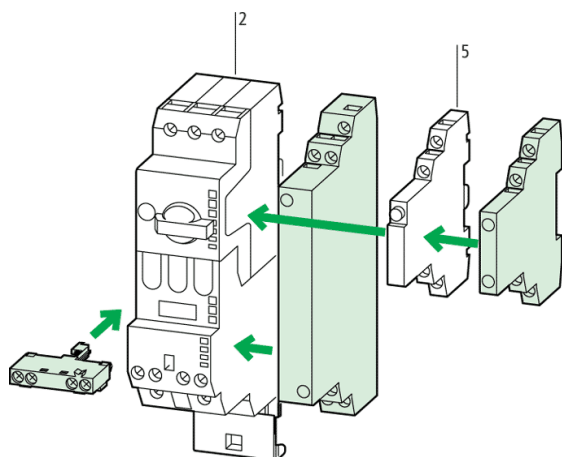
→
072730

5 Trip-indicating auxiliary contact

→
073237

Additional accessories

→
206910



Accessories

Page

2 Compact starter, high-capacity compact starter	→ 050286
5 Trip-indicating auxiliary contact	→ 073237
Additional accessories	→ 206910

Auxiliary contacts

Rated impulse withstand voltage	U_{imp}	V AC	4000
Overvoltage category/pollution degree			III/3
Rated operational voltage			
Rated operational voltage	U_e	V AC	440
	U_e	V DC	250
Safe isolation to VDE 0106 Part 101 and Part 101/A1			
Between auxiliary contacts and main contacts		V AC	690
Rated operational current			
AC-15			
220 – 240 V	I_e	A	1
DC-13 L/R – 100 ms			
24 V	I_e	A	2
Lifespan			
Lifespan, mechanical	Operations	$\times 10^6$	> 0,1
Lifespan, electrical	Operations	$\times 10^6$	0,1
Control circuit reliability (at $U_e = 24$ V DC, $U_{min} = 17$ V, $I_{min} = 5.4$ mA)	Failure rate		$< 10^{-8} < 1$ failure at 1×10^8 operations
Short-circuit rating without welding			
Fuse		A gG/gL	10

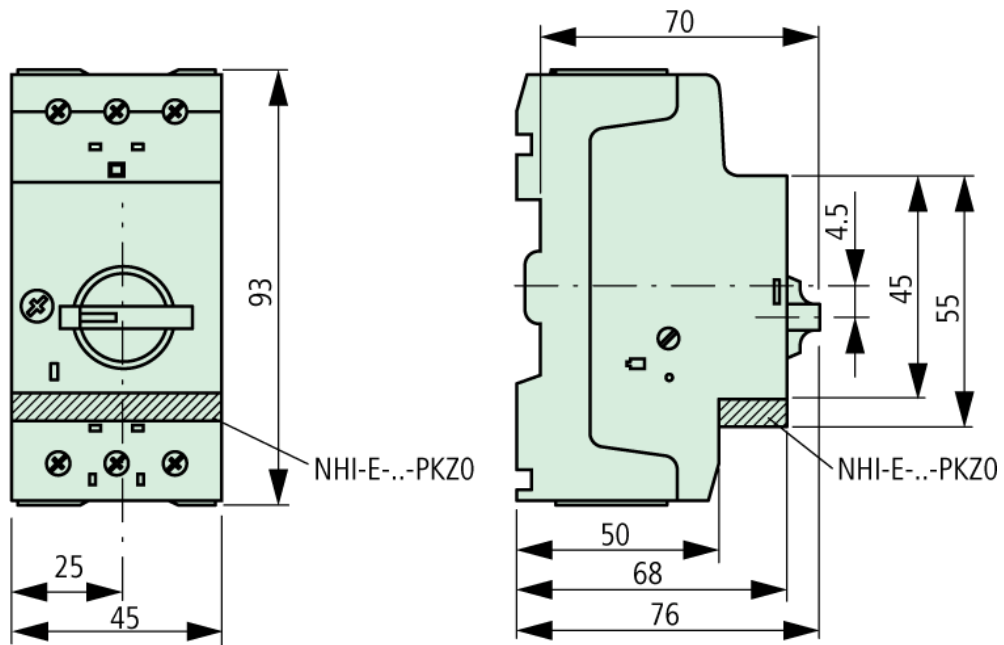
Terminal capacities

Solid or flexible conductor with ferrule		mm ²	0.75 – 1.5
Solid or stranded		AWG	18 – 16

Dimensions

			PKZM0-...(+NHI-E-...-PKZ0)
--	--	--	----------------------------

Dimensions



Moeller GmbH, Hein-Moeller-Str. 7-11, D-53115 Bonn
E-Mail: catalog@moeller.net, Internet: www.moeller.net, <http://catalog.moeller.net>
Copyright 2006 by Moeller GmbH. Subject to modifications. HPL-C2006GB-INT V2.3