



Protection against contact with a finger, IP2X, 3p, size 3

**Part no.** NZM3-XIPK  
**Catalog No.** 266804

**EL-Nummer (Norway)** 0004358891

### Delivery program

Accessories		IP2X protection against contact with a finger
Number of conductors		3 pole
Accessories		IP2X protection against contact with finger
For use with		NZM3, PN3, N3
For use with		For box terminal

**Notes**

- Type contains parts for a terminal located at top or bottom for 3 or 4-pole circuit-breakers.
- Enhancement of the protection against direct contact to IP2X.
- Protection when reaching into the cable connection area with the connection of cables in the box terminal.
- With 2 conductors maximum cross-section 70mm<sup>2</sup>.
- Cannot be combined with NZM-XSTK control circuit terminal.

### Design verification as per IEC/EN 61439

IEC/EN 61439 design verification		
10.2 Strength of materials and parts		
10.2.2 Corrosion resistance		Meets the product standard's requirements.
10.2.3.1 Verification of thermal stability of enclosures		Meets the product standard's requirements.
10.2.3.2 Verification of resistance of insulating materials to normal heat		Meets the product standard's requirements.
10.2.3.3 Verification of resistance of insulating materials to abnormal heat and fire due to internal electric effects		Meets the product standard's requirements.
10.2.4 Resistance to ultra-violet (UV) radiation		Meets the product standard's requirements.
10.2.5 Lifting		Does not apply, since the entire switchgear needs to be evaluated.
10.2.6 Mechanical impact		Does not apply, since the entire switchgear needs to be evaluated.
10.2.7 Inscriptions		Meets the product standard's requirements.
10.3 Degree of protection of ASSEMBLIES		Does not apply, since the entire switchgear needs to be evaluated.
10.4 Clearances and creepage distances		Meets the product standard's requirements.
10.5 Protection against electric shock		Does not apply, since the entire switchgear needs to be evaluated.
10.6 Incorporation of switching devices and components		Does not apply, since the entire switchgear needs to be evaluated.
10.7 Internal electrical circuits and connections		Is the panel builder's responsibility.
10.8 Connections for external conductors		Is the panel builder's responsibility.
10.9 Insulation properties		
10.9.2 Power-frequency electric strength		Is the panel builder's responsibility.
10.9.3 Impulse withstand voltage		Is the panel builder's responsibility.
10.9.4 Testing of enclosures made of insulating material		Is the panel builder's responsibility.
10.10 Temperature rise		The panel builder is responsible for the temperature rise calculation. Eaton will provide heat dissipation data for the devices.
10.11 Short-circuit rating		Is the panel builder's responsibility. The specifications for the switchgear must be observed.
10.12 Electromagnetic compatibility		Is the panel builder's responsibility. The specifications for the switchgear must be observed.
10.13 Mechanical function		The device meets the requirements, provided the information in the instruction leaflet (IL) is observed.

### Technical data ETIM 7.0

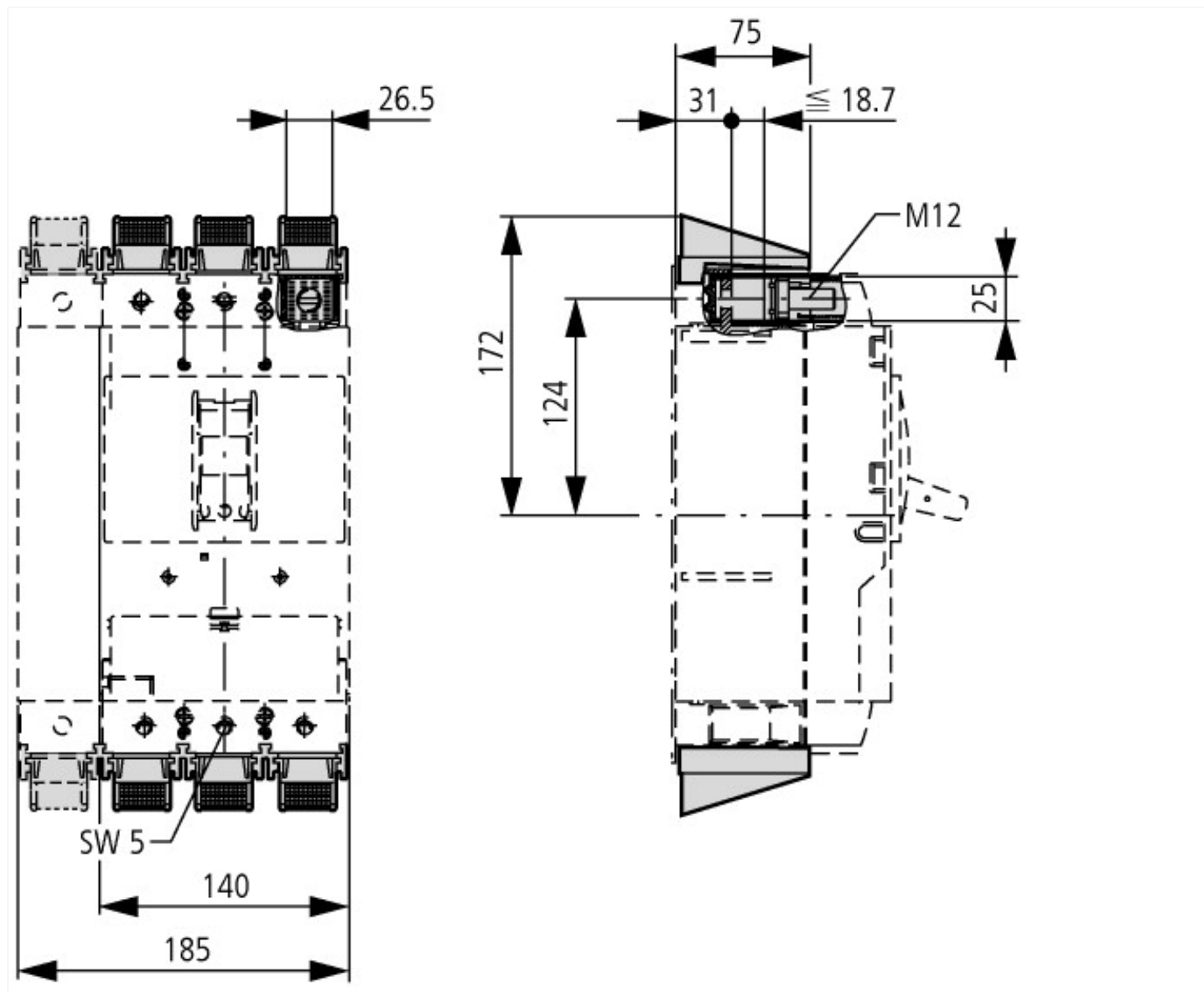
Low-voltage industrial components (EG000017) / Phase separation plate for power circuit breaker (EC002035)		
Electric engineering, automation, process control engineering / Low-voltage switch technology / Circuit breaker (LV < 1 kV) / Phase separation plate for circuit breaker (ecl@ss10.0.1-27-37-04-25 [ACN959011])		
Model		Other

## Approvals

North America Certification

UL/CSA certification not required

## Dimensions



## Additional product information (links)

IL01219008Z (AWA1230-2057) IP2X fingerproof

IL01219008Z (AWA1230-2057) IP2X fingerproof [ftp://ftp.moeller.net/DOCUMENTATION/AWA\\_INSTRUCTIONS/IL01219008Z2018\\_11.pdf](ftp://ftp.moeller.net/DOCUMENTATION/AWA_INSTRUCTIONS/IL01219008Z2018_11.pdf)