

DATA SHEET

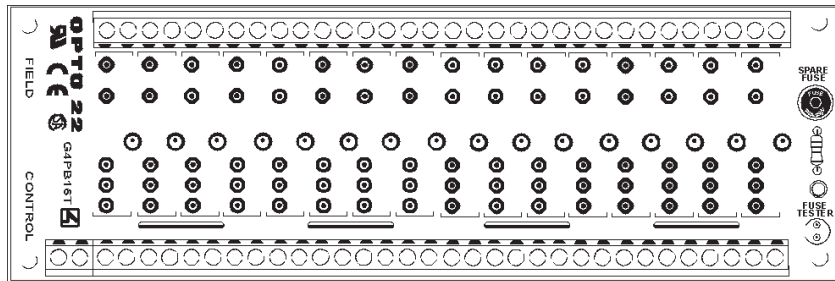
Form 250-010208

Description

The G4PB16T I/O mounting rack accommodates up to 16 G4 I/O modules. Insert and remove modules easily and quickly without disturbing field wiring. Modules are secured to the mounting rack with a threaded captive hold-down screw.

Barrier strips with screw terminals provide the field, logic, and mounting rack power connections.

Part Number	Description
G4PB16T	G4 16-Channel I/O Mounting Rack Extra Terminal Strip



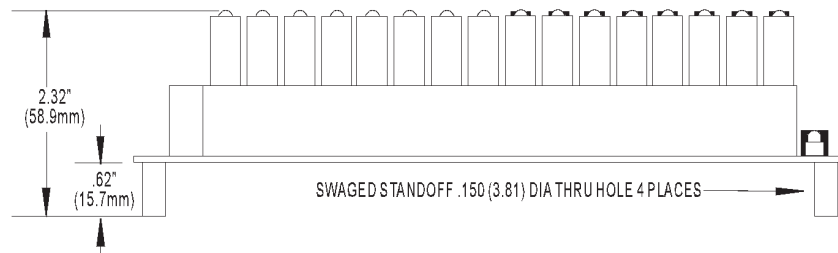
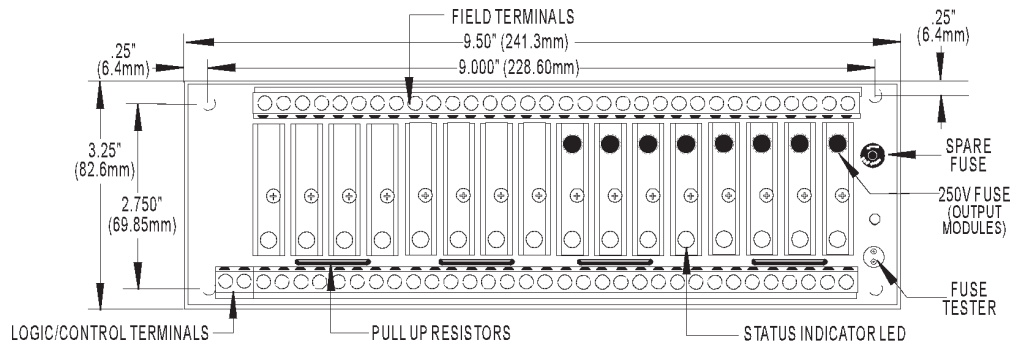
Features

- Requires minimum panel space
- Built-in fuse tester
- Spare fuse on board
- Screw terminals on both control and field connections
- UL recognized, CSA certified, CE approved
- Uses a single 5, 15 or 24 VDC power supply for control power

Specifications

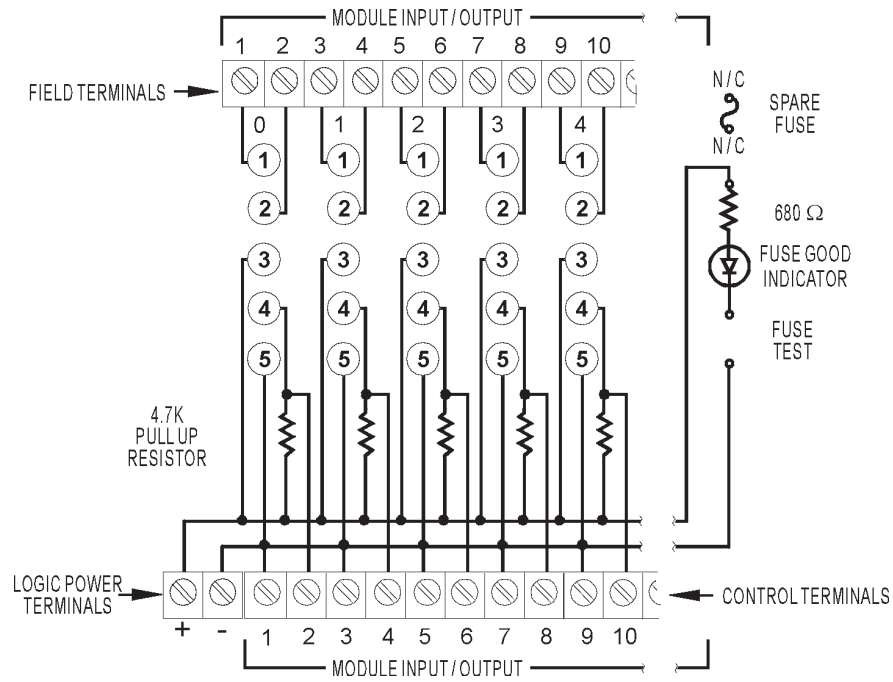
Operating temperature:	0-70° C 95 percent relative humidity, non-condensing
Interface connector: Field: Control:	Screw-type barrier strip accommodates up to 10 AWG wire Screw-type barrier strip accommodates up to 10 AWG wire

Dimensions



Form 250-010208

Connections



Module Position	Control (Terminal Strip)	Field (Terminal Strip)
0	1 and 2	1 and 2
1	3 and 4	3 and 4
2	5 and 6	5 and 6
3	7 and 8	7 and 8
4	9 and 10	9 and 10
5	11 and 12	11 and 12
6	13 and 14	13 and 14
7	15 and 16	15 and 16
8	17 and 18	17 and 18
9	19 and 20	19 and 20
10	21 and 22	21 and 22
11	23 and 24	23 and 24
12	25 and 26	25 and 26
13	27 and 28	27 and 28
14	29 and 30	29 and 30
15	31 and 32	31 and 32