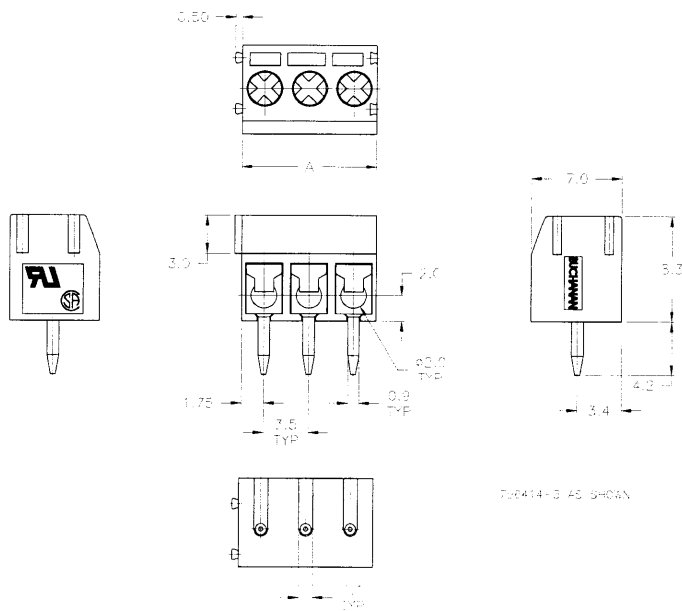


378 4836
 " 4848
 " 5026
 " 5038

REV	DATE	BY	CHKD

- NOTES:
1. ALL DIMENSIONS ARE IN MM.
 2. RECOMMENDED PCB BOARD HOLE DIAMETER: 1.20-1.40.
 3. BUCHANAN LOGO TO APPEAR ON HOUSING LOCATION OPTIONAL WHERE TRADE PERMITS.



798414-3 AS SHOWN

84.00	24	2-798414-4
80.50	23	2-798414-3
77.00	22	2-798414-2
73.50	21	2-798414-1
70.00	20	2-798414-0
66.50	19	1-798414-6
63.00	18	1-798414-5
59.50	17	1-798414-4
56.00	16	1-798414-3
52.50	15	1-798414-2
49.00	14	1-798414-1
45.50	13	1-798414-0
42.00	12	1-798414-0
38.50	11	1-798414-0
35.00	10	1-798414-0
31.50	9	798414-0
28.00	8	798414-5
24.50	7	798414-4
21.00	6	798414-3
17.50	5	798414-2
14.00	4	798414-1
10.50	3	798414-0
7.00	2	798414-0

PARTS LIST 1. 798414-3 AS SHOWN 2. 798414-3 AS SHOWN 3. 798414-3 AS SHOWN 4. 798414-3 AS SHOWN 5. 798414-3 AS SHOWN 6. 798414-3 AS SHOWN 7. 798414-3 AS SHOWN 8. 798414-3 AS SHOWN 9. 798414-3 AS SHOWN 10. 798414-3 AS SHOWN 11. 798414-3 AS SHOWN 12. 798414-3 AS SHOWN 13. 798414-3 AS SHOWN 14. 798414-3 AS SHOWN 15. 798414-3 AS SHOWN 16. 798414-3 AS SHOWN 17. 798414-3 AS SHOWN 18. 798414-3 AS SHOWN 19. 798414-3 AS SHOWN 20. 798414-3 AS SHOWN 21. 798414-3 AS SHOWN 22. 798414-3 AS SHOWN 23. 798414-3 AS SHOWN 24. 798414-3 AS SHOWN		BUCHANAN TERMINAL BLOCK FOR MOBILE TELEPHONE USE AND OTHER APPLICATIONS 1-798414-3 1-798414-3
---	--	--

1. APPLICATION AND FEATURES

- 1-1 STANDARD SIZED ARE 3 AND 9 WAY-BLOCKS, BUT EVERY NUMBER OF CONTACTS CAN BE COMBINED BY SIMPLY PLUGGING THEM TOGETHER AND CAN BE ORDERED AS REQUIRED.
- 1-2 WITH WIRE GUARD FOR WIRE PROTECTION SO THAT THE CORE DOESN'T PRESS DIRECTLY ON THE WIRE.

2. TECHNICAL DATA:

- 2-1 MATERIAL
- 2-1-1 HOUSING: NYTRIS UL 94 V-0
- 2-1-2 METAL HOUSING: BRASS/CU ZN
- 2-1-3 WIRE GUARD: STAINLESS STEEL
- 2-1-4 SCREW: STEEL GALVANIZED AND OPHENATED: N8/8

2-2 ELECTRICAL:

- 2-2-1 CURRENT RATING: RATING 7 AMPS/WAY MAX.
- 2-2-2 CONTACT RESISTANCE: 25 MΩ (MAX)
- 2-2-3 INSULATION RESISTANCE: 2000Ω/1000V
- 2-2-4 WITHSTANDING VOLTAGE: 1000 VAC/1MIN
- 2-2-5 OPERATION VOLTAGE: 250 VAC
- 2-2-6 WIRE RANGE: 18-26 AWG

2-3 MECHANICAL:

- 2-3-1 TORQUE: 4 Kgcm (MAX)
- 2-3-2 OPERATING TEMPERATURE: -55°C TO +105°C
- 2-3-3 SOLDERABILITY: 95% COVERAGE (MIN)

BUCHANAN ELECTRIC COMPANY 1000 BUCHANAN AVENUE PHILADELPHIA, PENNSYLVANIA 19106		BUCHANAN THE ELECTRIC COMPANY PHILADELPHIA, PA. 19106
MODEL: _____ PART NO.: _____ QUANTITY: _____	ORDER NO.: _____ DATE: _____ QUANTITY: _____	TERMINAL BLOCK MOUNT THROUGH AIR TIGHT 100% INSULATION
PRICE: _____ TOTAL: _____	TERMS: _____ PAYMENT: _____	BUCHANAN ELECTRIC COMPANY PHILADELPHIA, PA. 19106