

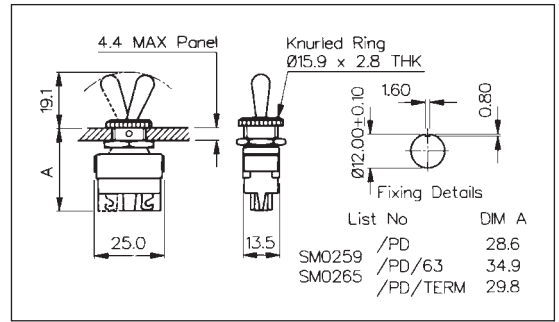
Toggle

SINGLE POLE



SM0259/PD

- SM0259/PD - S.P.M.B.
SM0265/PD - S.P.C.O.
- Solder tags, 6.3mm tabs or Screw Terminals (SM0259)
- SM0259/PD - 3A, 250V a.c.
SM0265/PD - 2A, 250V a.c.

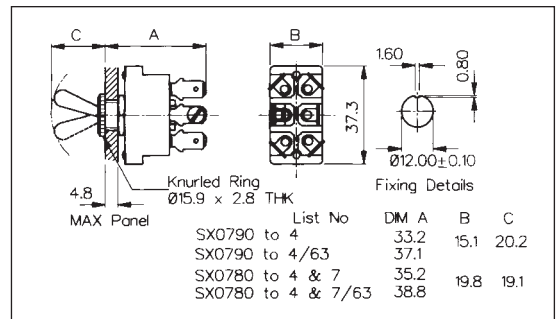


SINGLE POLE



SX0790

- 6.3mm tabs or Screw Terminals
- 10A, 250V a.c.



Single Pole List No.	Description	1	2	3
SX0790	Change-over. Centre off	ON	OFF	ON
SX0791	Change-over. Centre off One position biased off	ON	OFF	ON
SX0792	Change-over. Centre off Two position biased off	ON	OFF	ON
SX0793	Change-over Two positions only	ON	-	ON
SX0794	ON/OFF Two positions only	OFF	-	ON

Specification	SM0259/PD, SM0265/PD	SX0790 Series
Terminations:	Solder Tags	Screw Terminals
Switching:	SM0259/PD S.P.M.B. 1 pair of contacts (Quick Make/Break) SM0265/PD S.P.C.O. 2 pairs of contacts (Quick Make/Break)	See table for types Slow Make, Slow Break
Max. Rating:	SM0259/PD 3A, 250V a.c. SM0265/PD 2A, 250V a.c.	10A, 250V a.c. 10A, 0-28V d.c. (non-reactive circuits)
Contact Resistance:	<10mΩ	<10mΩ
Insulation Resistance:	>10 ³ MΩ	>10 ³ MΩ
Dielectric Strength:	>4.5kV a.c.	>2.5kV a.c.
Operating Temp. Range:	-20°C to +70°C	-20°C to +85°C
Materials:		
Mouldings:	Phenolic	Glass Filled Polyester
Tags:	Brass, Silver Plated	Brass, Silver Plated
Contacts:	Brass, Silver Plated	Copper with Silver face
Variants:	/TERM (Screw Terminals) - /63 (6.3mm tabs) - (SM0259/PD only)	/63 (6.3mm tabs) - (except SX0791)
Accessories:	SX0550 (see page 175)	SX0550 (see page 175)