

Customer Information Sheet

DRAWING No.: M20-610XX05

SHEET 2 OF 2

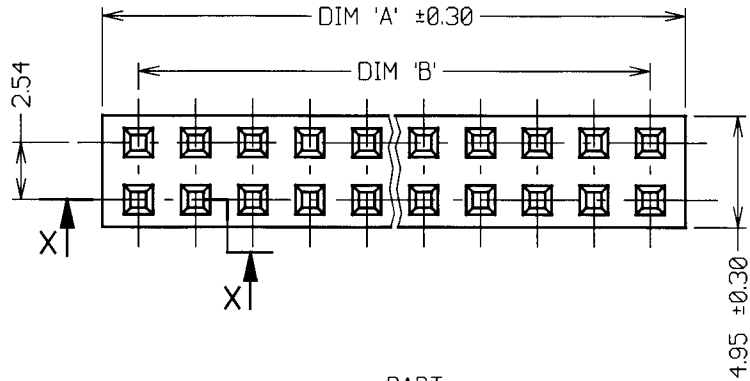
IF IN DOUBT - ASK

©

NOT TO SCALE

THIRD ANGLE PROJECTION

ALL DIMENSIONS IN mm



NOTES:
1. ALL TOLERANCES ARE ±0.20 UNLESS OTHERWISE STATED.

SPECIFICATION:

MATERIALS:

MOULDING - GLASS-FILLED POLYESTER UL94V-0 BLACK
CONTACTS - PHOSPHOR BRONZE

FINISH:

CONTACTS - 0.08µ GOLD OVER NICKEL

ELECTRICAL:

CURRENT RATING - 3A MAX
CONTACT RESISTANCE - 10 MILLIOHMS MAX
INSULATION RESISTANCE - 5,000 MEGOHMS MIN
VOLTAGE PROOF - 1,000V AC

MECHANICAL:

INSERTION FORCE (PER CONTACT) - 1.1N AVERAGE
WITHDRAWAL FORCE (PER CONTACT) - 0.7N AVERAGE

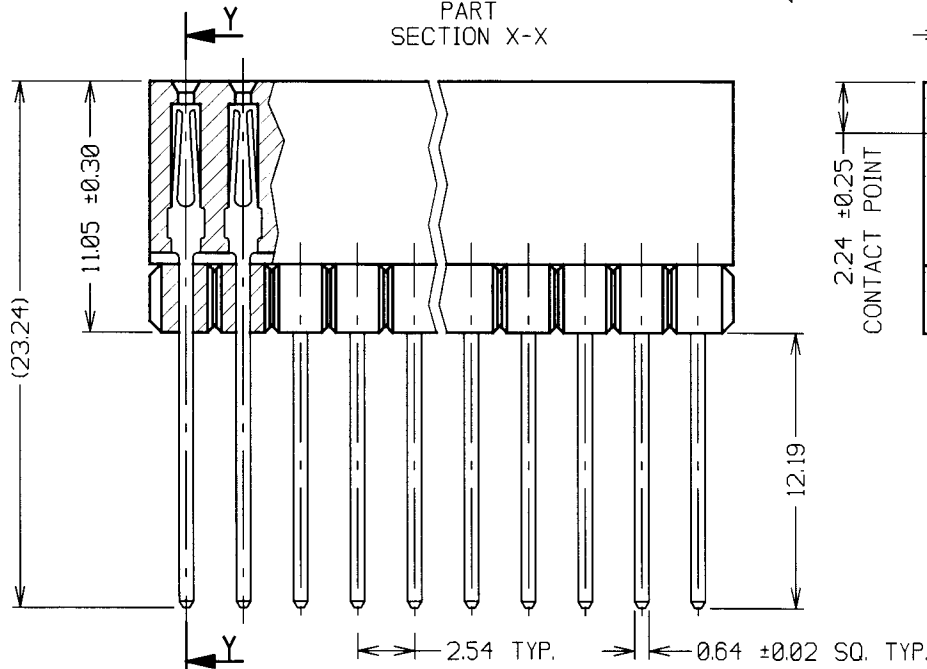
ENVIRONMENTAL:

TEMPERATURE RANGE - -55° TO +105°C

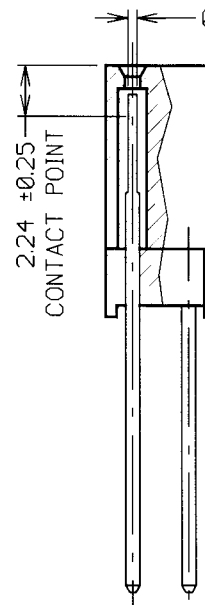
PACKING:

TUBE

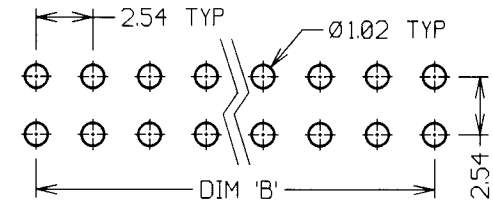
PART SECTION X-X



PART SECTION Y-Y



RECOMMENDED PCB LAYOUT



| No. OF WAYS PER ROW | DIM 'A' | DIM 'B' |
|---------------------|---------|---------|
| 20 | 51.46 | 48.26 |
| 32 | 81.94 | 78.74 |

ORDER CODE:

M20-610XX05

No. OF WAYS PER ROW
20, 32

| | | | |
|------------------------------|------|--------------|--------|
| JAE | 5 | 28.06.02 | 6779 |
| NAME | ISS. | DATE | C/NOTE |
| APPROVED: <i>[Signature]</i> | | | |
| CHECKED: <i>[Signature]</i> | | | |
| DRAWN: | | W. J. BOURNE | |
| CUSTOMER REF.: | | | |
| ASSEMBLY DRG.: | | | |

HARWIN

HARWIN INC
U.S.A.
TEL: (812) 285 0055
FAX: (812) 285 0056

HARWIN PLC
U.K.
TEL: 023 9237 0451
FAX: 023 9231 4590

HARWIN PTE
SINGAPORE
TEL: 65 7794909
FAX: 65 7793868

THIS DRAWING AND ANY INFORMATION OR DESCRIPTIVE MATTER SET OUT HEREON ARE CONFIDENTIAL AND COPYRIGHT PROPERTY OF THE HARWIN GROUP AND MUST NOT BE DISCLOSED, LOANED, COPIED OR USED FOR MANUFACTURING, TENDERING OR FOR ANY OTHER PURPOSE WITHOUT THEIR WRITTEN PERMISSION.

TOLERANCES
X - ±1mm
X.X - ±0.25mm
X.XX - ±0.10mm
X.XXX - ±0.01mm
ANGLES - ±5°
UNLESS STATED

MATERIAL:

SEE ABOVE

FINISH:

SEE ABOVE

S/AREA:

mm²

TITLE:

PC104 CONNECTOR
(STACKTHROUGH)

DRAWING NUMBER:

M20-610XX05

SHT
2
OF
2