



**Joystick, with one operating point per operating direction, With plastic shaft, 2 positions, Bezel: titanium, maintained, Horizontal**



Powering Business Worldwide™



**Part no.** M22-WRJ2H  
**Catalog No.** 289199  
**Alternate Catalog No.** M22-WRJ2HQ  
**EL-Nummer (Norway)** 4315311

**Delivery program**

|                            |  |  |   |
|----------------------------|--|--|---|
| Product range              |  |  | RMQ-Titan   |
| Basic function             |  |  | Joystick  |
| Single unit/Complete unit  |  |  | Single unit   |
| <b>Function:</b>           |  |  |   |
| Function                   |  |  | _____   |
| Description                |  |  | with one operating point per operating direction<br>With plastic shaft<br>2 positions |
| Degree of Protection       |  |  | IP66  |
| Front ring                 |  |  | Bezel: titanium   |
| Connection to SmartWire-DT |  |  | yes<br>with SWD-RMQ connections   |
| Front dimensions           |  |  | - N/A -   |
| Function                   |  |  | maintained<br>Horizontal  |

**Technical data**

**General**

|                             |              |                   |  |
|-----------------------------|--------------|-------------------|--|
| Standards                   |              |                   | IEC/EN 60947<br>VDE 0660   |
| Lifespan, mechanical        | Operations   | x 10 <sup>6</sup> | > 0.1  |
| Operating frequency         | Operations/h |                   | ≤ 2000   |
| Actuating force             | n            |                   | ≤ 5  |
| Climatic proofing           |              |                   | Damp heat, constant, to IEC 60068-2-78<br>Damp heat, cyclic, to IEC 60068-2-30   |
| Degree of Protection        |              |                   | IP66   |
| Ambient temperature         |              |                   |  |
| Open                        |              | °C                | -25 - +70  |
| Mounting position           |              |                   | As required  |
| Mechanical shock resistance |              | g                 | 30<br>Shock duration 11 ms<br>Sinusoidal<br>according to IEC 60068-2-27  |
| shipping classification     |              |                   | DNV<br>GL<br>LR  |
|                             |              |                   |    |

**Design verification as per IEC/EN 61439**

|  |                |   |   |
|--|----------------|---|---|
| Technical data for design verification                   |                |   |   |
| Rated operational current for specified heat dissipation | I <sub>n</sub> | A | 0 |

|  |                   |    |  |
|--|-------------------|----|--|
| Heat dissipation per pole, current-dependent   | P <sub>vid</sub>  | W  | 0  |
| Equipment heat dissipation, current-dependent  | P <sub>vid</sub>  | W  | 0  |
| Static heat dissipation, non-current-dependent   | P <sub>vs</sub>   | W  | 0  |
| Heat dissipation capacity  | P <sub>diss</sub> | W  | 0  |
| Operating ambient temperature min.   |                   | °C | -25  |
| Operating ambient temperature max.   |                   | °C | 70   |
| IEC/EN 61439 design verification   |                   |    |  |
| 10.2 Strength of materials and parts   |                   |    |  |
| 10.2.2 Corrosion resistance  |                   |    | Meets the product standard's requirements.   |
| 10.2.3.1 Verification of thermal stability of enclosures   |                   |    | Meets the product standard's requirements.   |
| 10.2.3.2 Verification of resistance of insulating materials to normal heat   |                   |    | Meets the product standard's requirements.   |
| 10.2.3.3 Verification of resistance of insulating materials to abnormal heat and fire due to internal electric effects |                   |    | Meets the product standard's requirements.   |
| 10.2.4 Resistance to ultra-violet (UV) radiation   |                   |    | Please enquire   |
| 10.2.5 Lifting   |                   |    | Does not apply, since the entire switchgear needs to be evaluated.                                       |
| 10.2.6 Mechanical impact   |                   |    | Does not apply, since the entire switchgear needs to be evaluated.                                       |
| 10.2.7 Inscriptions  |                   |    | Meets the product standard's requirements.   |
| 10.3 Degree of protection of ASSEMBLIES  |                   |    | Does not apply, since the entire switchgear needs to be evaluated.                                       |
| 10.4 Clearances and creepage distances   |                   |    | Meets the product standard's requirements.   |
| 10.5 Protection against electric shock   |                   |    | Does not apply, since the entire switchgear needs to be evaluated.                                       |
| 10.6 Incorporation of switching devices and components   |                   |    | Does not apply, since the entire switchgear needs to be evaluated.                                       |
| 10.7 Internal electrical circuits and connections  |                   |    | Is the panel builder's responsibility.   |
| 10.8 Connections for external conductors   |                   |    | Is the panel builder's responsibility.   |
| 10.9 Insulation properties   |                   |    |  |
| 10.9.2 Power-frequency electric strength   |                   |    | Is the panel builder's responsibility.   |
| 10.9.3 Impulse withstand voltage   |                   |    | Is the panel builder's responsibility.   |
| 10.9.4 Testing of enclosures made of insulating material   |                   |    | Is the panel builder's responsibility.   |
| 10.10 Temperature rise   |                   |    | Not applicable.  |
| 10.11 Short-circuit rating   |                   |    | Is the panel builder's responsibility. The specifications for the switchgear must be observed.           |
| 10.12 Electromagnetic compatibility  |                   |    | Is the panel builder's responsibility. The specifications for the switchgear must be observed.           |
| 10.13 Mechanical function  |                   |    | The device meets the requirements, provided the information in the instruction leaflet (IL) is observed. |

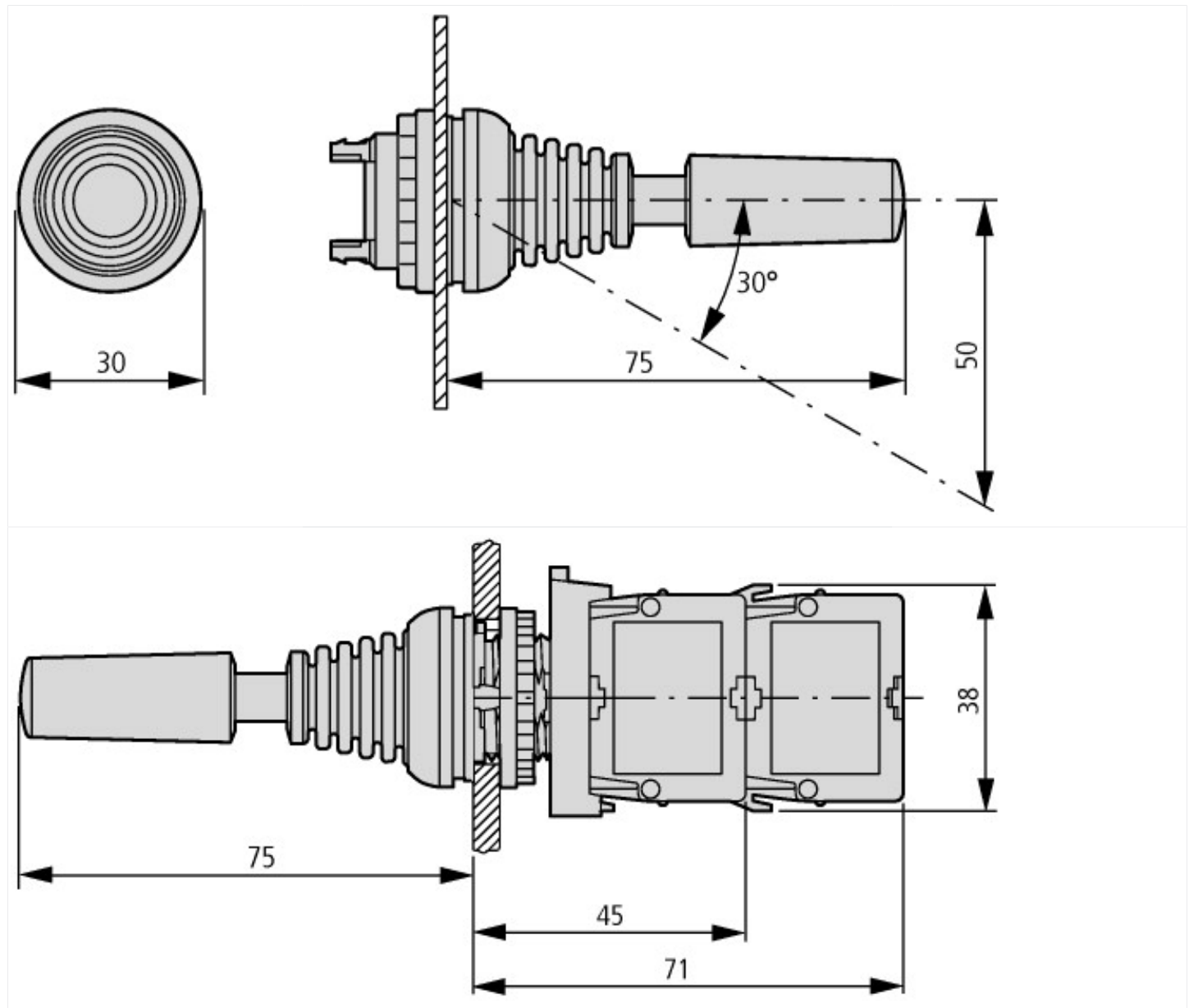
## Technical data ETIM 7.0

|  |  |    |         |
|--|--|----|---------|
| Low-voltage industrial components (EG000017) / Control switch, Joystick (EC000632)   |  |    |         |
| Electric engineering, automation, process control engineering / Low-voltage switch technology / Off-load switch, circuit breaker, control switch / Control switch, joystick (ecl@ss10.0.1-27-37-14-04 [AKF061013]) |  |    |         |
| Rated operation current I <sub>e</sub> at AC-21, 400 V   |  | A  | 0       |
| Centre mounting, hole diameter   |  | mm | 22.5    |
| Joy stick length   |  | mm | 75      |
| Number of actuation directions   |  |    | 2       |
| Number of switch levels  |  |    | 0       |
| Number of normally open contacts per actuation direction   |  |    | 0       |
| Number of normally closed contacts per actuation direction   |  |    | 0       |
| Number of make-and-break contacts per direction  |  |    | 0       |
| With retraction in 0-position  |  |    | No      |
| Locking in 0-position  |  |    | No      |
| Coder  |  |    | No      |
| Analogue output signal configurable  |  |    | No      |
| With front ring  |  |    | Yes     |
| Material front ring  |  |    | Plastic |
| Colour front ring  |  |    | Chrome  |
| Degree of protection (IP)  |  |    | IP66    |
| Degree of protection (NEMA)  |  |    | 4X      |

## Approvals

|                             |  |
|-----------------------------|--|
| Product Standards           | IEC/EN 60947-5; UL 508; CSA-C22.2 No. 14-05; CSA-C22.2 No. 94-91; CE marking |
| UL File No.                 | E29184   |
| UL Category Control No.     | NKCR   |
| CSA File No.                | 012528   |
| CSA Class No.               | 3211-03  |
| North America Certification | UL listed, CSA certified   |
| Degree of Protection        | UL/CSA Type 3R, 4X, 12, 13   |

## Dimensions



## Additional product information (links)

IL04716002Z (AWA1160-1745) RMQ-Titan System

IL04716002Z (AWA1160-1745) RMQ-Titan System

[ftp://ftp.moeller.net/DOCUMENTATION/AWA\\_INSTRUCTIONS/IL04716002Z2018\\_10.pdf](ftp://ftp.moeller.net/DOCUMENTATION/AWA_INSTRUCTIONS/IL04716002Z2018_10.pdf)