



INDUSTRIAL SHIELDS

# M-DUINO PLC ARDUINO ETHERNET 21 I/Os ANALOG/DIGITAL PLUS

PLC ARDUINO ETHERNET 21 I/Os  
ANALOG/DIGITAL PLUS





# Ethernet PLC Mduino 21 PLUS User Guide

**Revised August 2019**

## Preface

This User Guide is been implemented by Boot & Work, S.L. working under the name Industrial Shields.

### Purpose of the manual

The information contained in this manual can be used as a reference to operating, to functions, and to the technical data of the signal modules, power supply modules and interface modules.

### Intended Audience

This User Guide is intended for the following audience:

- Persons in charge of introducing automation devices.
- Persons who design automation systems.
- Persons who install or connect automation devices.
- Persons who manage working automation installation.



#### Warnings:

- Unused pins should not be connected. Ignoring the directive may damage the controller.
- Improper use of this product may severely damage the controller.
- Refer to the controller's User Guide regarding wiring considerations.
- Before using this product, it is the responsibility of the user to read the product's User Guide and all accompanying documentation.
- Maintenance must be performed by qualified personnel familiarized with the construction, operation, and hazards involved with the control.
- Maintenance should be performed with the control out of operation and disconnected from all sources of power.
- Care should be taken when servicing electrostatic sensitive components. The manufacturer's recommendations for these components should be followed.
- The M-Duino Family PLCs are Open Type Controllers. It is required that you install the M-Duino PLC in a housing, cabinet, or electric control room. Entry to the housing,

cabinet, or electric control room should be limited to authorized personnel. Failure to follow these installation requirements could result in severe personal injury and/or property damage. Always follow these requirements when installing M-Duino family PLCs.

- In case of installation or maintenance of the M-Duino please follow the instructions marked in the Installation and Maintenance section.
- Do not disconnect equipment when a flammable or combustible atmosphere is present. Disconnection of equipment when a flammable or combustible atmosphere is present may cause a fire or explosion which could result in death, serious injury and/or property damage.



### **Avertissements:**

- Les broches non utilisées ne doivent pas être connectées. Ignorer la directive peut endommager le contrôleur.
- Une utilisation incorrecte de ce produit peut endommager gravement le contrôleur.
- Reportez-vous au Guide de l'utilisateur du contrôleur pour les considérations de câblage.
- Avant d'utiliser ce produit, il incombe à l'utilisateur de lire le Guide de l'utilisateur du produit et la documentation qui l'accompagne.
- La maintenance doit être effectuée par personnel qualifié familiarisé avec la fabrication, le fonctionnement et les dangers liés au contrôleur.
- La maintenance doit être effectuée avec l'équipement hors service et déconnectée de toutes les sources d'alimentation.
- Faites attention lors de l'entretien des composants sensibles à l'électricité statique. Les recommandations du fabricant pour ces composants doivent être suivies.
- Les automates de la famille M-Duino sont des contrôleurs de type ouvert. Il est nécessaire d'installer l'automate M-Duino dans un boîtier, une armoire ou une salle de contrôle électrique. L'accès au boîtier, à l'armoire ou à la salle de commande électrique doit être limité au personnel autorisé. Le non-respect de ces exigences d'installation peut entraîner des blessures graves et/ou des dommages matériels importants. Respectez toujours ces exigences lors de l'installation des automates de la famille M-Duino.
- En cas d'installation ou de maintenance du M-Duino, veuillez suivre les instructions indiquées dans la section Installation et Maintenance.
- Ne débranchez pas l'équipement en présence d'une atmosphère inflammable ou combustible. La déconnexion de l'équipement en présence d'une atmosphère inflammable ou combustible peut provoquer un incendie ou une explosion pouvant entraîner la mort, des blessures graves et/ou des dommages matériels.

## Application Considerations and Warranty

### Read and Understand this Manual

Please read and understand this manual before using the product. Please consult your comments or questions to Industrial Shields before using the product.

### Application Consideration

THE PRODUCTS CONTAINED IN THIS DOCUMENT ARE NOT SAFETY RATED. THEY SHOULD NOT BE RELIED UPON AS A SAFETY COMPONENT OR PROTECTIVE DEVICE FOR ENSURING SAFETY OF PERSONS, AS THEY ARE NOT RATED OR DESSIGNED FOR SUCH PURPOSES.

Please know and observe all prohibitions of use applicable to the products.

FOR AN APPLICATION INVOLVING SERIOUS RISK TO LIFE OR PROPERTY WITHOUT ENSURING THAT THE SYSTEM AS A WHOLE HAS BEEN DESSIGNED TO ADDRESS THE RISKS, NEVER USE THE INDUSTRIAL SHIELDS PRODUCTS.

NEVER USE THE INDUSTRIAL SHIELDS PRODUCTS BEFORE THEY ARE PROPERLY RATED AND INSTALLED FOR THE INTENDED USE WITHIN THE OVERALL EQUIPMENT OR SYSTEM.

Industrial Shields shall not be responsible for conformity with any codes, regulations or standards that apply to the combination of products in the customer's application or use of the product.

The following are some examples of applications for which particular attention must be given. This is not intended to be an exhaustive list of all possible uses of the products, nor is it intended to imply that the uses may be suitable for the products:

- Systems, machines, and equipment that could present a risk to life or property.
- Nuclear energy control systems, combustion systems, railroad systems, aviation systems, medical equipment, amusement machines, vehicles, safety equipment, and installation subject to separate industry or government regulations.
- Outdoor use, uses involving potential chemical contamination or electrical interference, or conditions or uses not described in this document.

At the customer's request, INDUSTRIAL SHIELDS will provide applicable third party certification documents identifying ratings and limitations of use that apply to the products. This information by itself is not sufficient for a complete determination of the suitability of the products in combination with the system, machine, end product, or other application or use.

## Intended use or of Industrial Shields products

Consider the following:

Industrial Shields products should only be used for the cases of application foreseen in the catalogue and the associated technical documentation. If third-party products and components are used, they must have been recommended or approved by Industrial Shields.

The correct and safe operation of the products requires that your transport, storage, installation, assembly, operation and maintenance have been carried out in a correct It must respect the permissible ambient conditions. You should also follow the indications and warnings that appear in the associated documentation.

The product / system dealt with in this documentation should only be handled or manipulated by qualified personnel for the task entrusted and observing what is indicated in the documentation corresponding to it, particularly the safety instructions and warnings included in it. Due to their training and experience, qualified personnel are in a position to recognize risks resulting from the handling or manipulation of such products / systems and to avoid possible hazards.

## Disclaimers

### Weights and Dimensions

Dimensions and weights are nominal and they are not used for manufacturing purposes, even when tolerances are shown.

### Performance Data

The performance data given in this manual is provided as a guide for the user in determining suitability and does not constitute a warranty. It may represent the result of INDUSTRIAL SHIELDS's test conditions, and the users must correlate it to actual application requirements. Actual performance is subject to the INDUSTRIAL SHIELDS Warranty and Limitations of Liability.

## Errors and Omissions

The information in this document has been carefully checked and is believed to be accurate; however, no responsibility is assumed for clerical, typographical, or proofreading errors, or omissions.

The control and drive components of an Industrial Shields PLC are approved for industrial and commercial use in industrial line supplies. Their use in public line supplies requires a different configuration and/or additional measures. These components may only be operated in closed housings or in higher-level control cabinets with protective covers that are closed, and when all of the protective devices are used. These components may only be handled by qualified and trained technical personnel who are knowledgeable and observe all of the safety information and instructions on the components and in the associated technical user documentation. When carrying out a risk assessment of a machine in accordance with the EU Machinery Directive, the machine manufacturer must consider the following residual risks associated with the control and drive components of a PDS.

1. Unintentional movements of driven machine components during commissioning, operation, maintenance, and repairs caused by, for example: – Hardware defects and/or software errors in the sensors, controllers, actuators, and connection technology – Response times of the controller and drive – Operating and/or ambient conditions not within the scope of the specification – Condensation / conductive contamination – Parameterization, programming, cabling, and installation errors – Use of radio devices / cellular phones in the immediate vicinity of the controller – External influences / damage.
2. Exceptional temperatures as well as emissions of noise, particles, or gas caused by, for example: – Component malfunctions – Software errors – Operating and/or ambient conditions not within the scope of the specification – External influences / damage.
3. Hazardous shock voltages caused by, for example: – Component malfunctions – Influence of electrostatic charging – Induction of voltages in moving motors – Operating and/or ambient conditions not within the scope of the specification – Condensation / conductive contamination – External influences / damage
4. Electrical, magnetic and electromagnetic fields generated in operation that can pose a risk to people with a pacemaker, implants or metal replacement joints, etc. if they are too close.
5. Release of environmental pollutants or emissions as a result of improper operation of the system and/or failure to dispose of components safely and correctly.



## Warranty and Limitations of Liability

### Warranty

Industrial Shields's exclusive warranty is that the products are free from defects in materials and workmanship for a period of one year (or other period if specified) from date of sale by Industrial Shields.

INDUSTRIAL SHIELDS MAKES NO REPRESENTATION OR WARRANTY, EXPRESSED OR IMPLIED, REGARDING MERCHANTABILITY, NON-INFRINGEMENT, OR FITNESS FOR PARTICULAR PURPOSE OF THE PRODUCTS. ANY BUYER OR USER ACKNOWLEDGES THAT THE BUYER OR USER ALONE HAS DETERMINED THAT THE PRODUCTS WILL SUITABLY MEET THE REQUIREMENTS OF THEIR INTENDED USE. INDUSTRIAL SHIELDS DISCLAIMS ALL OTHER WARRANTIES, EXPRESS OR IMPLIED

### Limitations of Liability

INDUSTRIAL SHIELDS SHALL NOT BE RESPONSIBLE FOR SPECIAL, INDIRECT, OR CONSEQUENTIAL DAMAGES, LOSS OF PROFITS OR COMERCIAL LOSS IN ANY WAY CONNECTED WITH THE PRODUCTS, WHETHER SUCH CLAIM IS BASED ON CONTRACT, WARRANTY, NEGLIGENCE, OR STRICT LIABILITY.

IN NO EVENT SHALL INDUSTRIAL SHIELDS BE RESPONSIBLE FOR WARRANTY, REPAIR OR OTHER CLAIMS REGARDING THE PRODUCTS UNLESS INDUSTRIAL SHIELDS'S ANALYSIS CONFIRMS THAT THE PRODUCTS WERE PROPERLY HANDLED, STORED, INSTALLED, AND MAINTAINED AND NOT SUBJECT TO CONTAMINATION, ABUSE, MISUSE, OR INAPPROPRIATE MODIFICATION OR REPAIR.

**ETL Listing Mark-Direct Imprint information**



Conforms to UL Std. 61010-1  
Conforms to UL Std. 61010-2-201  
Certified to CSA Std. C22.2 No. 61010-1  
Certified to CSA Std. C22.2 No. 61010-2-201

# Table of Contents

|     |   |    |
|-----|---|----|
| 1   | General Description M-DUINO 21 I/Os PLUS product..... | 12 |
| 1.1 | Zone - Nomenclature.....                              | 12 |
| 1.2 | Zone Distribution.....                                | 13 |
| 1.3 | A Zone Features .....                                 | 14 |
| 1.4 | Mechanical dimension.....                             | 14 |
| 1.5 | General Features .....                                | 15 |
| 2   | Technical Specifications:.....                        | 17 |
| 2.1 | General Specifications: .....                         | 17 |
| 2.2 | Performance Specification:.....                       | 17 |
| 2.3 | Symbology.....  | 18 |
| 3   | Precautions .....                                     | 19 |
| 3.1 | Arduino Board .....                                   | 19 |
| 3.2 | Intended Audience .....                               | 19 |
| 3.3 | General Precautions .....                             | 19 |
| 4   | Software interface.....                               | 19 |
| 5   | How to connect PLC Arduino to PC.....                 | 22 |
| 6   | How to connect PLC to power supply .....              | 24 |
| 7   | M-Duino 21 I/Os PLUS Pinout .....                     | 25 |
| 7.1 | A Zone connection.....                                | 25 |
| 7.2 | B Zone (Analog Shield).....                           | 27 |
| 8   | Switch Configuration .....                            | 28 |
| 8.1 | A Zone: Communications.....                           | 28 |
| 8.2 | B, C & D Zone Switces .....                           | 30 |
| 9   | M-Duino Arduino I/Os 5V pins.....                     | 31 |
| 9.1 | I2C pins – SDA/SCL.....                               | 31 |
| 9.2 | Serial 0 – RX0/TX0 .....                              | 31 |
| 9.3 | Serial 1 – RX1/TX1 .....                              | 32 |
| 9.4 | SPI – MISO/MOSI/SCK .....                             | 32 |
| 9.5 | Pin 2/Pin 3.....                                      | 32 |
| 10  | A Zone Features: Communications & RTC & uSD.....      | 33 |

|        |  |    |
|--------|--|----|
| 10.1   | RS-232.....  | 33 |
| 10.2   | RS-485.....  | 33 |
| 10.3   | I2C.....   | 33 |
| 10.4   | SPI.....   | 34 |
| 10.5   | TTL .....  | 34 |
| 10.6   | Ethernet .....   | 34 |
| 10.7   | RTC.....   | 35 |
| 10.8   | uSD .....  | 35 |
| 11     | Instructions for interconnection between Industrial Shields controllers..... | 37 |
| 11.1   | RS-232 Communication: .....  | 37 |
| 11.2   | RS-485 Communication: .....  | 37 |
| 11.2.2 | Full Duplex.....   | 37 |
| 11.3   | Ethernet .....   | 38 |
| 12     | I/O technical details:.....  | 39 |
| 13     | Typical Connections.....   | 41 |
| 14     | Connector details: .....   | 46 |
| 15     | Mechanical Characteristics .....   | 47 |
| 16     | Installation and Maintenance .....   | 48 |
| 17     | Revision Table .....   | 51 |



INDUSTRIAL SHIELDS

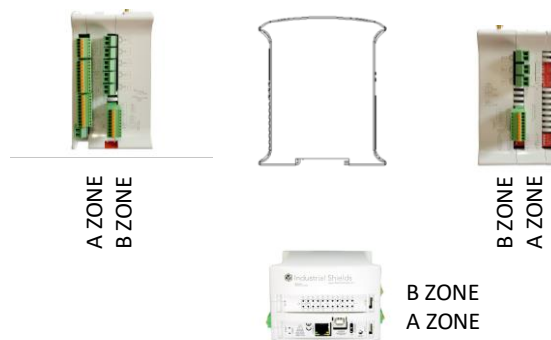
## 1 General Description M-DUINO 21 I/Os PLUS product

### 1.1 Zone - Nomenclature

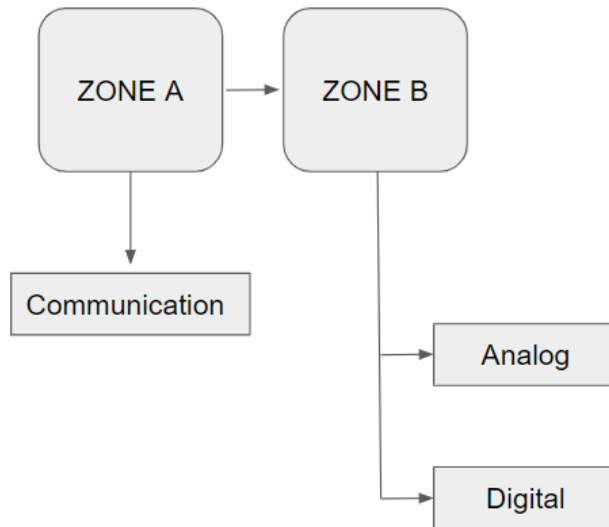
The nomenclature shown in this point will be used in the whole User Guide, so it is important to understand this nomenclature.

The nomenclature to differentiate the zones is based on the Alphabet, being A the shield from below and B the shield from above. It has 2 zones (A, B):

- The inputs in the zone B are named I0.X, being X any number suitable in the Shield. Outputs are named as Q0.X.



## 1.2 Zone Distribution



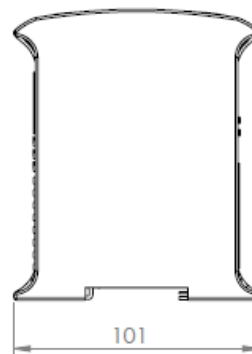
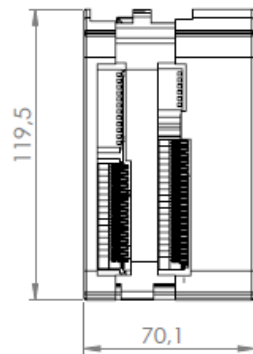
The distribution of the different features that provide the M-Duino 21 I/Os PLUS is the following one:

| Shield        | B Zone  |
|---------------|---|
| Analog Shield | 13 Inputs<br>(13 Digital inputs,<br>6 of which can<br>work as Analog<br>Input)<br><br>8 Outputs<br>(8 Digital Outputs,<br>3 of which can<br>work as Analog<br>Output) |

### 1.3 A Zone Features

| Shield               | A Zone  |
|----------------------|---|
| Communication Shield | (1x) Ethernet<br>(1x) USB<br>(1x) I2C<br>(3x) TTL<br>(1x) RS-232<br>(1x) HALF/FULL Duplex RS-485<br>(1x) SPI external Port<br>(1x) RTC<br>(1x) uSD Socket |

### 1.4 Mechanical dimension



## 1.5 General Features




| <b>CONECTABLE PLC ARDUINO 24Vcc M-DUINO</b>      |   |   |
|--|---|---|
| <b>MODEL TYPE</b>                                | <b>A+B Zone</b>   |   |
| <b>Input Voltage</b>                             | 12 to 24Vdc<br>— — —  | Fuse protection (2.5A)<br>Polarity protection       |
| <b>Input rated voltage</b>                       | 24 Vdc<br>— — —   |   |
| <b>Rated Power</b>                               | 30 W  |   |
| <b>I max.</b>                                    | 1.5A  |   |
| <b>Size</b>                                      | 101x119.5x119.3   |   |
| <b>Clock Speed</b>                               | 16MHz   |   |
| <b>Flash Memory</b>                              | 256KB of which 8KB used by bootloader   |   |
| <b>SRAM</b>                                      | 8KB   |   |
| <b>EEPROM</b>                                    | 4KB   |   |
| <b>Communications</b>                            | I2C – Ethernet Port – USB – RS485 – RS232 -- SPI<br>– (2x) Rx, Tx (Arduino pins)  | Max232-Max485-W5500                                 |
| <b>USB consideration!</b>                        | <b>Only meant for uploading or debugging, not<br/>always connected as a serial in a project!</b>  | <b>Cannot be working in a final<br/>application</b> |
| <b>An/Dig Input 10bit<br/>(0-10Vcc)</b>          | 0 to 10Vac<br>Input Impedance: 39K<br>Separated PCB ground<br>Rated Voltage: 10Vac<br><br>7 to 24Vdc<br>I min: 2 to 12 mA<br>Galvanic Isolation<br>Rated Voltage: 24 Vdc<br>— — — |   |
| <b>Digital Isolated Input<br/>(24Vcc)</b>        | 7 to 24Vdc<br>I min: 2 to 12 mA<br>Galvanic Isolation<br>Rated Voltage: 24 Vdc<br>— — —   |   |
| <b>* Interrupt isolated<br/>Input HS (24Vcc)</b> | 7 to 24Vdc<br>I min: 2 to 12 mA<br>Galvanic Isolation<br>Rated Voltage: 24Vdc<br>— — —  |   |
| <b>Analog Output 8bit<br/>(0-10Vcc)</b>          | 0 to 10Vac<br>I max: 20 mA<br>Separated PCB ground<br>Rated Voltage: 10Vac<br>— — —   |   |
| <b>Digital Isolated<br/>Output (24Vcc)</b>       | 5 to 24Vdc<br>I max: 70 mA<br>Galvanic Isolation<br>Diode Protected for Relay<br>Rated Voltage: 24Vdc<br>— — —  | I <sub>max</sub> 24Vdc: 410 mA                      |



|   |   |  |
|---|---|--|
| <p><b>Digital Isolated Output</b> Relay</p>   | <p>220V Vdc<br/>I max: 5A<br/>Galvanic Isolation<br/>Diode protected for Relay</p> <p>===</p>                               |  |
| <p><b>PWM Isolated Output 8bit</b> (24Vcc)</p>  | <p>5 to 24Vdc<br/>I max: 70 mA<br/>Galvanic Isolation<br/>Diode Protected for Relay<br/>Rated Voltage: 24Vdc</p> <p>===</p> |  |
| <p><b>Expandability</b></p>   | <p>I2C - 127 elements - Serial Port RS232/RS485</p>   |  |
| <p><b>* By using this type of signal can no longer use Digital signal (24Vdc)</b></p> |   |  |

## 2 Technical Specifications:

### 2.1 General Specifications:

| Item                            |                              | M-Duino PLC Arduino Ethernet 21 I/Os Analog/Digital PLUS   |
|---------------------------------|------------------------------|--|
| Power supply voltage            | DC power supply              | 12 to 24Vdc   |
| Operating voltage range         | DC power supply              | 11.4 to 25.4Vdc   |
| Power consumption               | DC power supply              | 30W max.   |
| External power supply           | Power supply voltage         | 24Vdc   |
|                                 | Power supply output capacity | 700Ma  |
| Insulation resistance           |                              | 20MΩ min.at 500Vdc between the AC terminals and the protective earth terminal.   |
| Dielectric strength             |                              | 2.300 VAC at 50/60 Hz for one minute with a leakage current of 10mA max. Between all the external AC terminals and the protective ground terminal. |
| Shock resistance                |                              | 80m/s <sup>2</sup> in the X, Y and Z direction 2 times each.   |
| Ambient temperature (operating) |                              | 0° to 60°C   |
| Ambient humidity (operating)    |                              | 10% to 90% (no condensation)   |
| Ambient environment (operating) |                              | With no corrosive gas  |
| Ambient temperature (storage)   |                              | -20° to 60°C   |
| Power supply holding time       |                              | 2ms min.   |
| Weight                          |                              | 378g max.  |




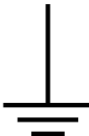




### 2.2 Performance Specification:

|                         |   |
|-------------------------|---|
| Arduino Board           | ARDUINO MEGA 2560   |
| Control method          | Stored program method   |
| I/O control method      | Combination of the cyclic scan and immediate refresh processing methods.  |
| Programming language    | Arduino IDE. Based on wiring (Wiring is an Open Source electronics platform composed of a programming language. "similar to the C". <a href="http://arduino.cc/en/Tutorial/HomePage">http://arduino.cc/en/Tutorial/HomePage</a> ) |
| Microcontroller         | ATmega2560  |
| Flash Memory            | 256KB of which 8KB are used by the bootloader   |
| Program capacity (SRAM) | 8KB   |
| EEPROM                  | 4KB   |
| Clock Speed             | 16MHz   |
| Clock Speed             | 16MHz   |

## 2.3 Symbology

Table that includes all the symbology that is used in the serigraph of the M-Duino PLC Arduino Ethernet 21

I/Os Analog/Digital PLUS:

| Symbol  | Standard No. / Standard Title                      | Standard Reference No. / Symbol Title | Symbol Meaning   |
|---|--|---------------------------------------|--|
|    | IEC 60417 / Graphical symbols for use on equipment | 5031 / Direct Current                 | Indicates that the equipment is suitable for direct current only; to identify relevant terminals               |
|    | IEC 60417 / Graphical symbols for use on equipment | 5032 / Alternating Current            | Indicates that the equipment is suitable for alternating current only; to identify relevant terminals          |
|   | IEC 60417 / Graphical symbols for use on equipment | 5130 / Pulse General                  | To identify the control by which a pulse is started.   |
|  | IEC 60417 / Graphical symbols for use on equipment | 5017 / Earth, Ground                  | To identify an earth (ground) terminal in cases where neither the symbol 5018 nor 5019 is explicitly required. |
|  | IEC 60417 / Graphical symbols for use on equipment | 5115 / Signal lamp                    | To identify the switch by means of which the signal lamp(s) is (are) switched on or off.                       |
|  | Medical Devices Directive 93/42/EEC                | CE Marking                            | CE marking indicates that a product complies with applicable European Union regulations                        |
|  | ISO 7000/ Graphical symbols for use on equipment   | 0434B / Warning symbol                | Indicates a potentially hazardous situation which, if not avoided, could result in death or serious injury     |
|  | ISO 7000/ Graphical symbols for use on equipment   | 5036 / Dangerous Voltage              | To indicate hazards arising from dangerous voltages  |

## 3 Precautions

Read this manual before attempting to use the M-Duino PLC Arduino Ethernet 21 I/Os Analog/Digital PLUS and follow its descriptions for reference during operation.

### 3.1 Arduino Board

The M-Duino 21 I/Os PLUS PLCs include Arduino Mega Board as controller.

### 3.2 Intended Audience

This manual is intended for technicians, which must have knowledge on electrical systems.

### 3.3 General Precautions

The user must operate M-Duino according to the performance specifications described in this manual.

Before using M-Duino under different conditions from what has been specified in this manual or integrating M-Duino to nuclear control systems, railroad systems, aviation systems, vehicles, combustion systems, medical equipment, amusement machines, safety equipment and other systems, machines, and equipment that may have a serious influence on lives and property if used improperly, consult your INDUSTRIAL SHIELDS representative. Ensure that the rating and performance characteristics of M-Duino are sufficient for the systems, machines, and equipment, and be sure to provide the systems, machines, and equipment double safety mechanisms. This manual provides information for programming and operating the M-Duino.

## 4 Software interface

Industrial Shields PLC are programmed using Arduino IDE, which is a software based on the C language. They can also be programmed using directly C but it is much easier working with Arduino IDE as it provides lots of libraries that helps in the programming.

Industrial Shields provides boards for programming the PLCs much easier. Basically it is no needed to define the pins and if that pins are inputs or outputs. Everything is set up automatically if using the boards.

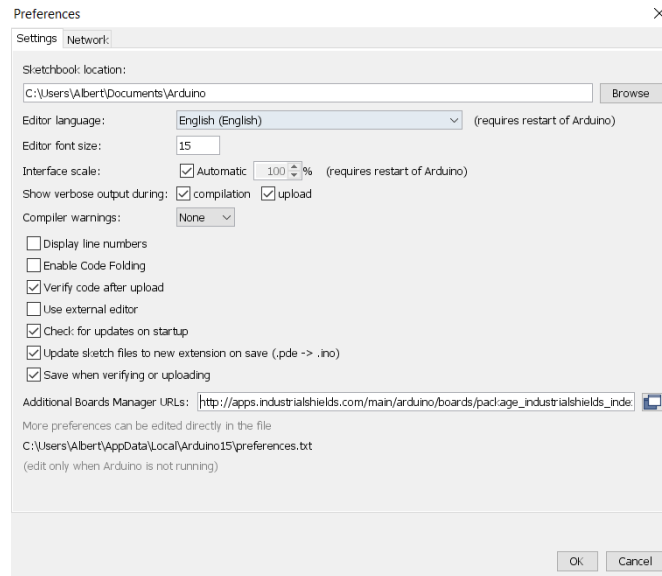
In order to install Industrial Shields boards, these are the steps that must be followed.

#### **Requirements:**

Arduino IDE 1.8.0 or above (better to have always the latest version).

**Steps:**

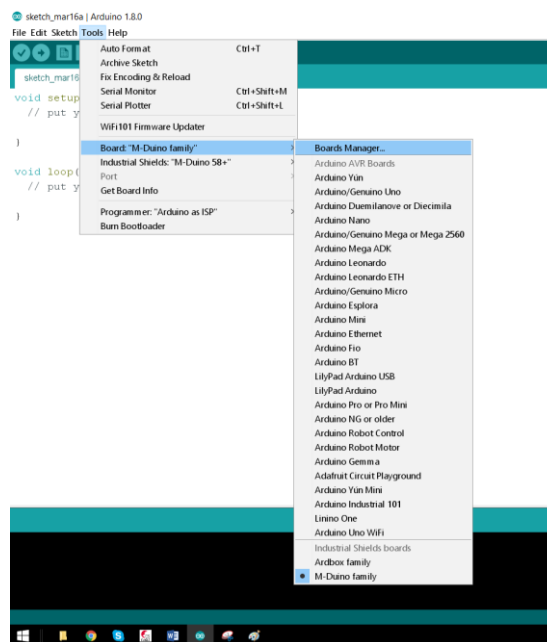
1. Open Arduino IDE and go to: “File -> Preferences” located in the top left corner.



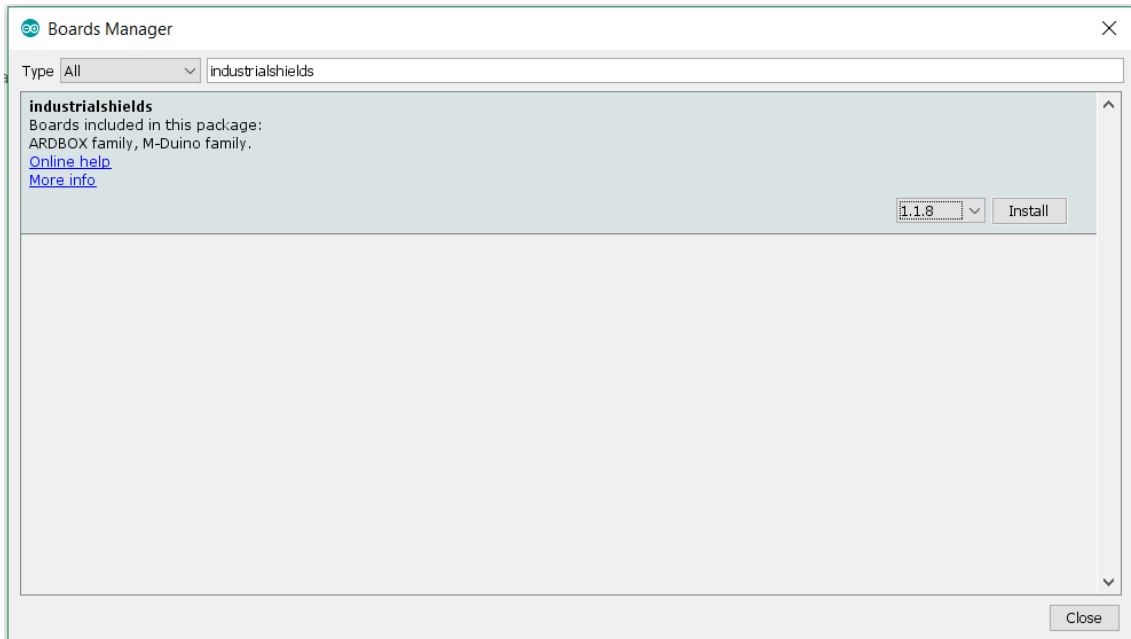
2. In Additional Boards Manager URLs write the following:

[http://apps.industrialshields.com/main/arduino/boards/package\\_industrialshields\\_index.json](http://apps.industrialshields.com/main/arduino/boards/package_industrialshields_index.json)

3. Press OK to save the changes.
4. Go to: Tools -> Board: ... -> Boards Manager

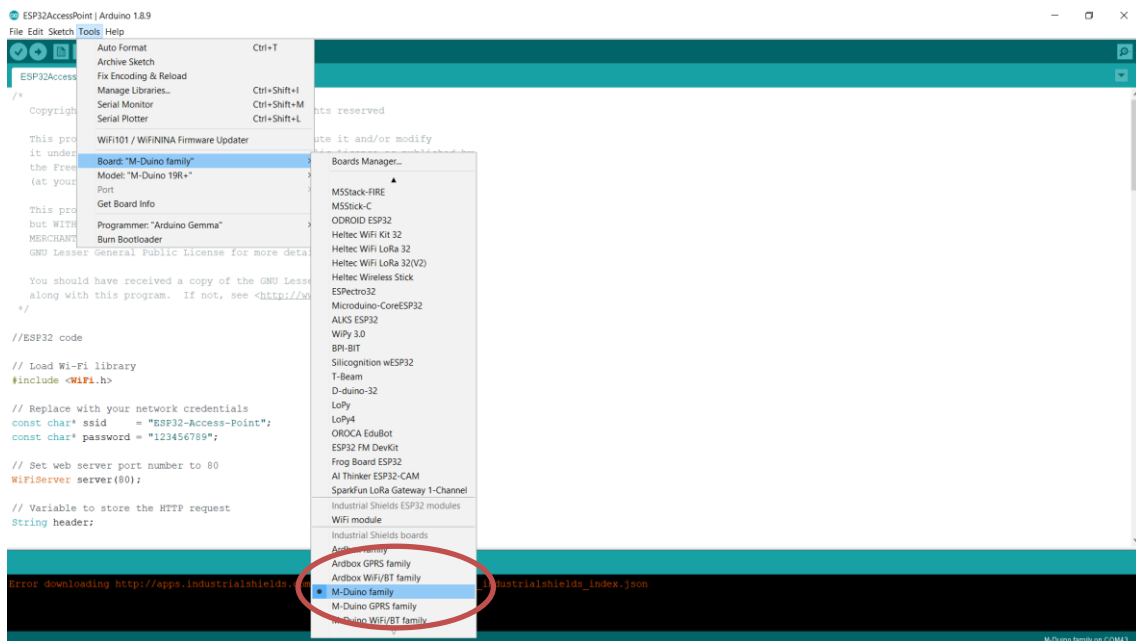


- 5. Search for “industrialshields” on the browser.



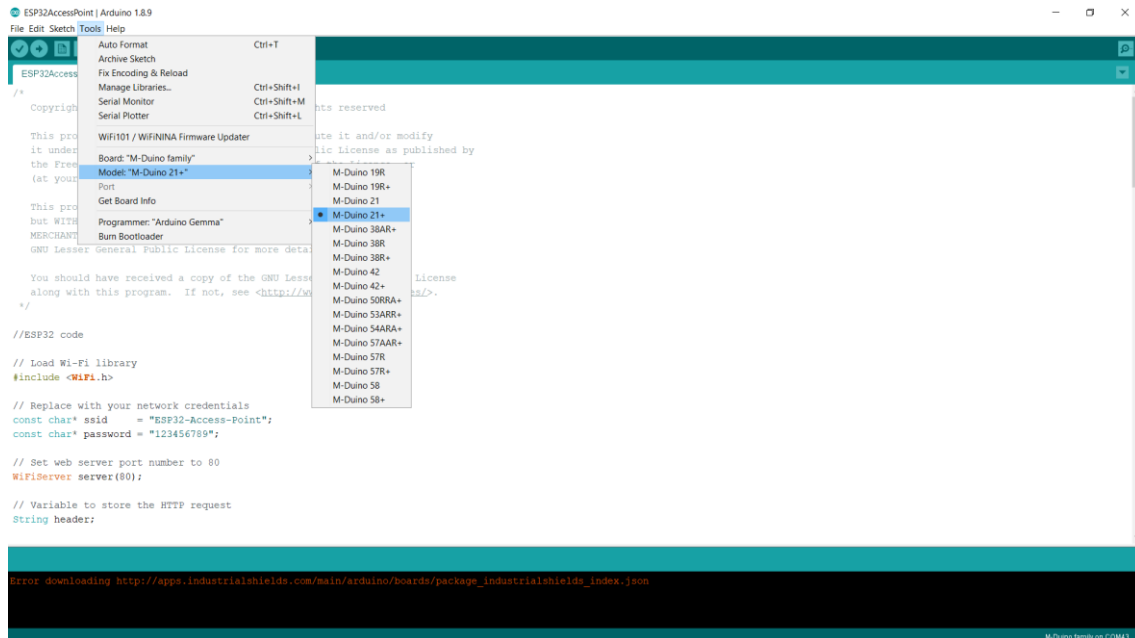
- 6. Click install (selecting the latest version).

Following these steps you will be able to see now the Industrial Shields Boards:



Once it is selected M-Duino Family, an extra option will appear on Tools:

There, it can be selected the exact model for every family.



Also there are some examples of programming in File -> Examples -> M-Duino Family.

Furthermore there are some extra libraries that can be found in Industrial Shields github.

<https://github.com/IndustrialShields/>

## 5 How to connect PLC Arduino to PC

- Connect USB port from PLC to PC.

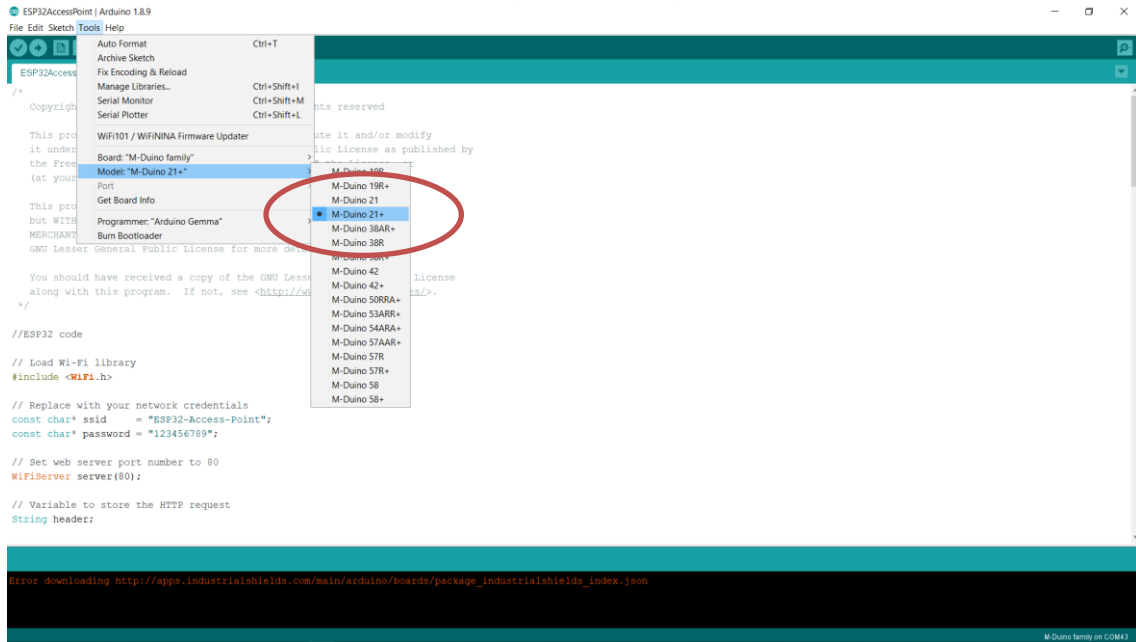
**NOTE:**

M-Duino 21 I/Os PLUS uses USB-B cable.

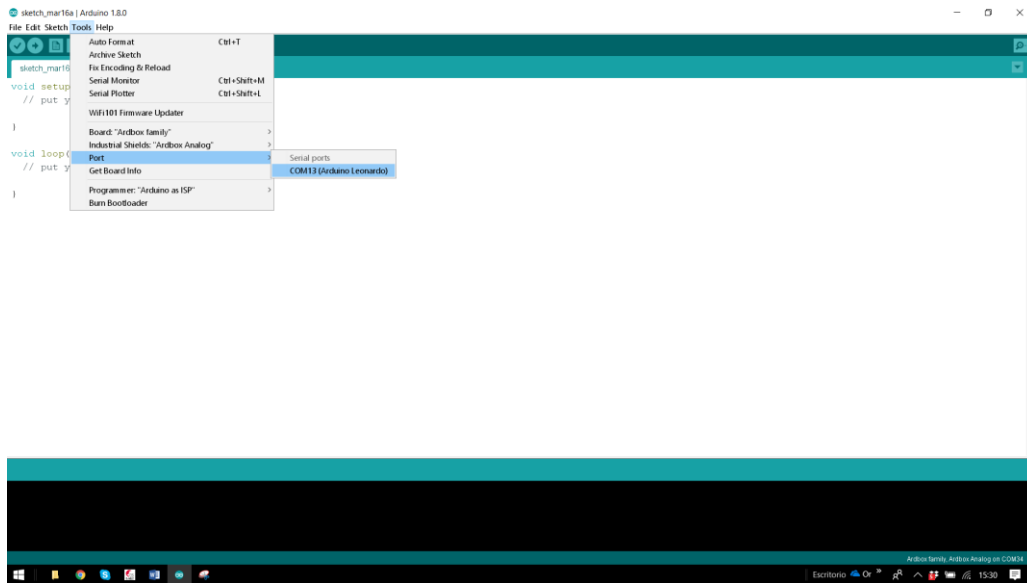


- Open Arduino IDE interface:
- Select Industrial Shields boards -> M-Duino Family

- Select the correct M-Duino Board (M-Duino 21+).



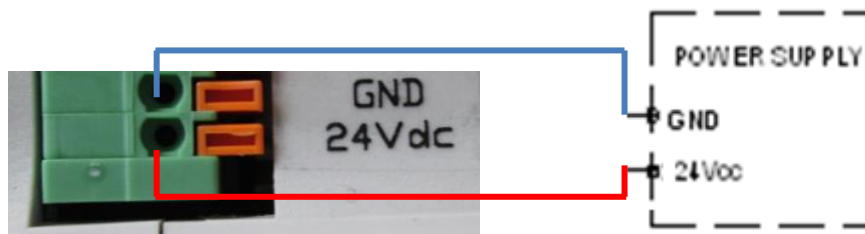
- Select correct port.





## 6 How to connect PLC to power supply

- M-Duino 21 I/Os PLUS PLC is 12-24Vdc supplied. **IMPORTANT: The polarity IS NOT REVERSAL!**
- Make sure that the live and GND connector of the power supply match the PLC.
- Make sure that the power supply mains output is not higher than 24Vdc.



- Suggested power suppliers

Compact DIN rail power supply. Assembled on 35mm

DIN Rail:

-12Vdc / 24Vdc

-2.5A

-30W

Industrial Shields power supplies provide parallel operation, overvoltage protection, and overcurrent protection. There is a LED indicator for power status, the power supply is certified according to UL.



The standard, Part 1 of IEC 61010, sets the general safety requirements for the following types of electrical devices and their accessories, regardless of where use of the device is intended.

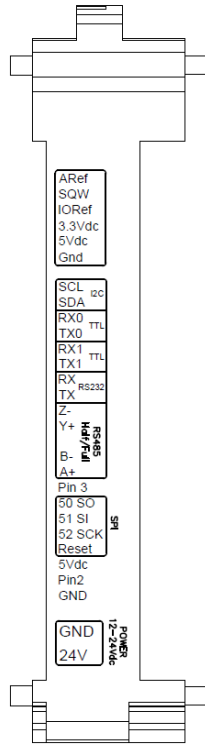
The equipment must be powered from an external power source in accordance with IEC 61010-1, whose output is MBTS and is limited in power according to section 9.4 of IEC 61010-1.

**WARNING:** Once the equipment is installed inside an electrical cabinet, the MTBS cables of the equipment must be separated from the dangerous voltage cables.

## 7 M-Duino 21 I/Os PLUS Pinout

### 7.1 A Zone connection

| Base<br>(common unit) |             |               |
|-----------------------|-------------|---------------|
| A Zone                |             |               |
| M-Duino Connector     | Arduino Pin | Function      |
| SCL                   | 21          | I2C/SS        |
| SDA                   | 20          | I2C/SS        |
| RX0                   | 1           | RX0/SS        |
| TX0                   | 0           | TX0/SS        |
| RX1                   | 19          | RX1/SS        |
| TX1                   | 18          | TX1/SS        |
| TX                    | 16          | RX2(serial 2) |
| RX                    | 17          | TX2(serial 2) |
| Z-                    | -           | RS485         |
| Y+                    | -           | RS485         |
| B-                    | -           | RS485         |
| A+                    | -           | RS485         |
| PIN3                  | 3           | Arduino Pin   |
| 50 SO                 | 50          | SPI           |
| 51 SI                 | 51          | SPI           |
| 52 SCK                | 52          | SPI           |
| Reset                 | Reset       | SPI           |
| Vin5                  | Vin5        | 5V            |
| PIN2                  | 2           | Arduino Pin   |
| GND                   | -           | Gnd           |
| GND                   | -           | Gnd           |
| 24Vdc                 |             | Power Supply  |



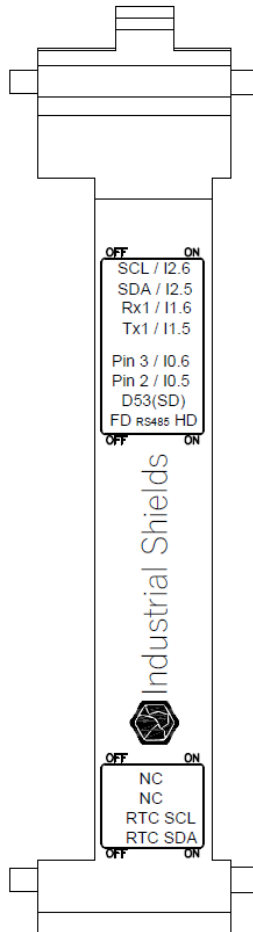
Configuration Switch\* (see section 8 for configuring the communications. Enabling communications disables some I/Os)

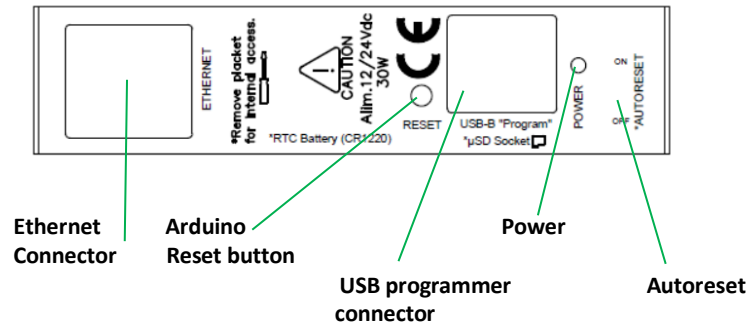
Communication Pins

Power supply connectors (24Vdc – GND)

SS: Chip Select pins. These pins can act as TTL, so they can work for the Chip Select pin of any device.

| Base<br>(common unit) |             |             |
|-----------------------|-------------|-------------|
| A Zone                |             |             |
| M-Duino Connector     | Arduino Pin | Function    |
| AREF                  | AREF        | Arduino PIN |
| IOREF2                | IOREF2      | Arduino PIN |
| IOREF1                | IOREF1      | Arduino PIN |
| 7Vdc                  | 7Vdc        | -           |
| GND                   | GND         | GND         |
| 3.3Vdc                | 3.3Vdc      | Arduino PIN |
| GND                   | GND         | GND         |
| 5Vdc                  | 5Vdc        | -           |
| GND                   | GND         | GND         |

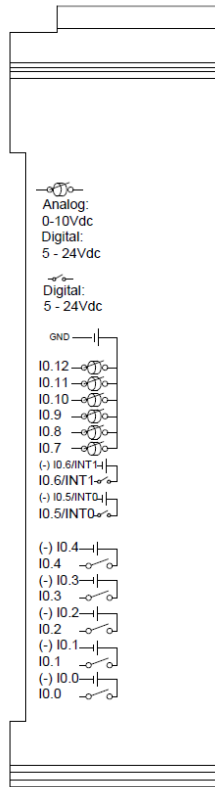




*\*NOTE: Autoreset. Arduino mega has auto reset when using serial communication code. Set switch to OFF when using serial communication. When uploading code to Arduino Mega set switch to ON.*

## 7.2 B Zone (Analog Shield)

| B Zone                 |             |                    |
|------------------------|-------------|--------------------|
| M-Duino Connector      | Arduino Pin | Function           |
| IO.12                  | 59          | Analog/ Digital In |
| IO.11                  | 58          | Analog/ Digital In |
| IO.10                  | 57          | Analog/ Digital In |
| IO.9                   | 56          | Analog/ Digital In |
| IO.8                   | 55          | Analog/ Digital In |
| IO.7                   | 54          | Analog/ Digital In |
| (-)IO.6/INT1           | -           | GND IO.6           |
| IO.6/INT1 <sup>1</sup> | 3           | Interrupt 1 In     |
| (-)IO.5/INT0           | -           | GND IO.5           |
| IO.5/INT0 <sup>1</sup> | 2           | Interrupt 0 In     |
| (-)IO.4                | -           | GND IO.4           |
| IO.4                   | 26          | Digital Input      |
| (-)IO.3                | -           | GND IO.3           |
| IO.3                   | 25          | Digital Input      |
| (-)IO.2                | -           | GND IO.2           |
| IO.2                   | 24          | Digital Input      |
| (-)IO.1                | -           | GND IO.1           |
| IO.1                   | 23          | Digital Input      |
| (-)IO.0                | -           | GND IO.0           |
| IO.0                   | 22          | Digital Input      |

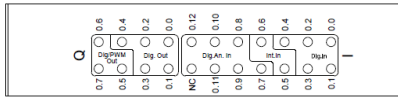


Analog/Digital Inputs

Interrupt Inputs (isolated)

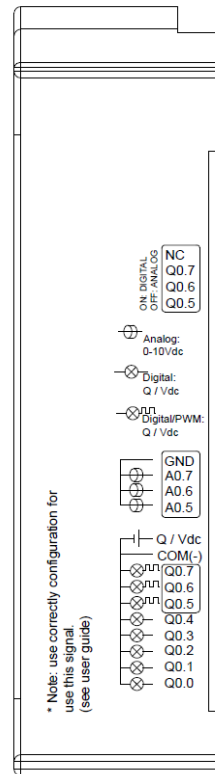
Digital Inputs (isolated)

### Top Zone



Led indicator I/Os state

| B Zone            |             |                           |
|-------------------|-------------|---------------------------|
| M-Duino Connector | Arduino Pin | Function                  |
| GND               | GND         | GND                       |
| A0.7 <sup>1</sup> | 6           | Analog Out                |
| A0.6 <sup>1</sup> | 5           | Analog Out                |
| A0.5 <sup>1</sup> | 4           | Analog Out                |
| Q/Vdc             | -           | External Isolated Out Vdc |
| COM(-)            | -           | External Isolated Out GND |
| Q0.7 <sup>1</sup> | 6           | Digital/PWM Out           |
| Q0.6 <sup>1</sup> | 5           | Digital/PWM Out           |
| Q0.5 <sup>1</sup> | 4           | Digital/PWM Out           |
| Q0.4              | 40          | Digital Out               |
| Q0.3              | 39          | Digital Out               |
| Q0.2              | 38          | Digital Out               |
| Q0.1              | 37          | Digital Out               |
| Q0.0              | 36          | Digital Out               |



Configuration Switch\*  
(see section 8 to select the correct configuration for outputs).

Analog Outputs

Voltage Supply/Reference for Digital/PWM Outputs (isolated)

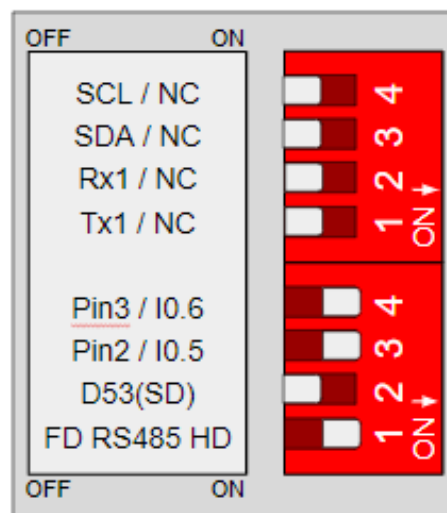
PWM/Digital Outputs

<sup>1</sup> See section 8 to select suitable switch configuration for enable these connections.

## 8 Switch Configuration

### 8.1 A Zone: Communications

| Switch       | ON   | OFF   |
|--------------|------|-------|
| D ZONE       |      |       |
| SCL/I2.6     | NC   | SCL   |
| SDA/I2.5     | NC   | SDA   |
| C ZONE       |      |       |
| RX1/I1.6     | NC   | RX1   |
| TX1/I1.5     | NC   | TX1   |
| B ZONE       |      |       |
| Pin 3/I0.6   | I0.6 | Pin 3 |
| Pin 2/I0.5   | I0.5 | Pin 2 |
| uSD & RS-485 |      |       |
| D53(SD)      | NC   | SD    |
| FD RS-485 HD | HD   | FD    |



4. SCL/NC: **Always at OFF Position!** Switch has to be OFF position to enable SCL, **never ON** because in this position is NC (Not Connected).

3. SDA/NC: **Always at OFF Position!** Switch has to be OFF position to enable SDA, **never ON** because in this position is NC (Not Connected).

2. RX1/NC: **Always at OFF Position!** Switch has to be OFF position to enable RX1 **never ON** because in this position is NC (Not Connected).

1. TX1/NC: **Always at OFF Position!** Switch has to be OFF position to enable TX1, **never ON** because in this position is NC (Not Connected).

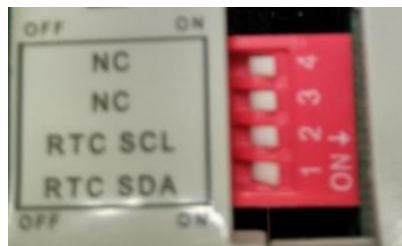
4. Pin 3/I0.6: Choosing between Pin 3 or the input I0.6. If this switch is ON, it enables the I0.6 input and disables the Pin 3. If this switch is OFF, it enables Pin 3 and disables I0.6.

3. Pin 2/I0.5: Choosing between Pin 2 or the input I0.5. If this switch is ON, it enables the I0.5 input and disables the Pin 2. If this switch is OFF, it enables Pin 2 and disables I0.5.

2. D53 (SD): **Always at OFF Position!** Switch has to be OFF position to enable the Chip Select of the microSD card, **never ON** because in this position is NC (Not Connected).

1. FD RS-485 HD: Choosing between FD or HF. If this switch is ON, it enables the Half Duplex (HD) option and disables the FD. If this switch is OFF, it enables Full Duplex (FD) and disables HD.

| LEFT ZONE |     |     |
|-----------|-----|-----|
| SWITCH    | ON  | OFF |
| NC        | -   | -   |
| NC        | -   | -   |
| RTC SCL   | RTC | -   |
| RTC SDA   | RTC | -   |



1. RTC SDA: This switch enables the communication to communicate with the RTC using I2C. Having this switch in ON mode it activates this communication, whereas if it is in OFF mode it disables the I2C to reach the RTC.
2. RTC SCL: This switch enables the communication to communicate with the RTC using I2C. Having this switch in ON mode it activates this communication, whereas if it is in OFF mode it disables the I2C to reach the RTC.
3. NC: Not connected. This switch is not connected to anything, it doesn't matter if it is in ON mode or OFF mode.
4. NC: Not connected. This switch is not connected to anything, it doesn't matter if it is in ON mode or OFF mode.

## 8.2 B, C & D Zone Switches

| B ZONE |      |      |
|--------|------|------|
| SWITCH | ON   | OFF  |
| NC     | -    | -    |
| Q0.7   | Q0.7 | A0.7 |
| Q0.6   | Q0.6 | A0.6 |
| Q0.5   | Q0.5 | A0.5 |

| C ZONE |      |      |
|--------|------|------|
| SWITCH | ON   | OFF  |
| NC     | -    | -    |
| Q1.7   | Q1.7 | A1.7 |
| Q1.6   | Q1.6 | A1.6 |
| Q1.5   | Q1.5 | A1.5 |

| D ZONE |      |      |
|--------|------|------|
| SWITCH | ON   | OFF  |
| NC     | -    | -    |
| Q2.7   | -    | -    |
| Q2.6   | Q2.6 | A2.6 |
| Q2.5   | Q2.5 | A2.5 |



For the Analog Shield if a switch is set to ON, it can only act as Digital Output. If it is set to OFF it can only act as an Analog Output.

If it is desired to use a Digital Output the pin must be set to ON and the pin that will provide this digital output is represented with QX.X, being X any number of the tables above.

If it is desired to use an Analog Output the pin must be set to OFF and the pin that will provide this analog output is represented with AX.X, being X any number of the tables above.

For the Relay Shield if a switch is set to ON, it can only act as Digital Output. If it is set to OFF it can only act as an Analog Output.

If it is desired to use a Digital Output the pin must be set to ON and the pin that will provide this digital output is represented with QX.X, being X any number of the tables above.

If it is desired to use an Analog Output the pin must be set to OFF and the pin that will provide this analog output is represented with AX.X, being X any number of the tables above.

## 9 M-Duino Arduino I/Os 5V pins

The M-Duino has some of the Mega board pins available. These pins can be programmed according to Arduino features such as I/Os operating at 5V or any additional features present in the pins (for example I2C communication in pins SCL and SDA). As this pins are directly connected to the Arduino Mega board they are not as well protect as the normal inputs. These pins are mainly meant to be used as prototyping.

The Arduino board available pins are summarized in the table below. In order to access some of these pins the configuration switch must be set to OFF position (see section 8) and some extra considerations must be taken in consideration when using these pins.

| M-Duino terminal | Arduino pin | Enable Arduino pin        |
|------------------|-------------|---------------------------|
| SCL              | 21          | Communication switch: OFF |
| SDA              | 20          | Communication switch OFF  |
| RX0              | 0           |                           |
| TX0              | 1           |                           |
| RX1              | 19          | Communication switch: OFF |
| TX1              | 18          | Communication switch: OFF |
| MISO             | 50          |                           |
| MOSI             | 51          |                           |
| SCK              | 52          |                           |
| Pin 3            | 3           | Communication switch: OFF |
| Pin 2            | 2           | Communication switch: OFF |

**\*IMPORTANT:** Do not connect the terminals in the chart above to voltages higher than 5V. These terminals provide direct access to the Mega board.

A part from the switch configuration there are some special conditions depending on these 5V. Now it is going to be shown the considerations to operate with these pins.

### 9.1 I2C pins – SDA/SCL

The I2C protocol is meant to work in a pull-up configuration. A pull-up configuration means that when the pin is at rest (nothing connected to it) it always reads a HIGH value. In this case it reads 5V when nothing is connected. The pull-up configuration is established by default in these pins.

If it is meant to work them as a GPIO at 5V, it has to be considered that they are pull-up inputs.

**\*IMPORTANT:** I2.5 & I2.6 are not pull-up inputs although they are referred to the I2C pins (switch configuration). There is a “reverse pull-up circuit” that is established in order to have the same behaviour as the other inputs.

### 9.2 Serial 0 – RX0/TX0

The Serial0 protocol can work also as a 5V pin. These pins should be used ultimately, only in case that all the 5V pins are already performing a function. This is because they are shared with the USB interface. If using these pins, the USB communication cannot be working at the same time. When the PLC is not installed, the USB communication is normally required for debugging, uploading and intercommunicating with the Ethernet controller. If using both interfaces at the same time the Arduino board will get blocked.



These pins are not established with a pull-up or a pull-down configuration. The state of these pins is unknown. If these pins must be used, they require a pull-up or a pull-down configuration. The Arduino board allows the pins to be set in a pull-up configuration. If not it must be established an external pull-up or pull-down circuit in order to correctly work with these pins.

### 9.3 Serial 1 – RX1/TX1

These pins are only referred to the inputs I1.5/I1.6. If the switch configuration is in OFF position the pins RX1/TX1 will be available. If not using the Serial 1 interface these pins can work as digital, either input or output.

These pins are not established with a pull-up or a pull-down configuration. The state of these pins is unknown. If these pins must be used, they require a pull-up or a pull-down configuration. The Arduino board allows the pins to be set in a pull-up configuration. If not it must be established an external pull-up or pull-down circuit in order to correctly work with these pins.

### 9.4 SPI – MISO/MOSI/SCK

These pins can only work as a 5V pins if the Ethernet protocol is not going to be used. As the Ethernet protocol uses the SPI to communicate with the Arduino board, both behaviours cannot happen at the same time as the Ethernet would not work.

These pins are not established with a pull-up or a pull-down configuration. The state of these pins is unknown. If these pins must be used, they require a pull-up or a pull-down configuration. The Arduino board allows the pins to be set in a pull-up configuration. If not it must be established an external pull-up or pull-down circuit in order to correctly work with these pins.

### 9.5 Pin 2/Pin 3

These pins are only referred to the inputs I0.5/I0.6. If the switch configuration is in OFF position the pins Pin 2/Pin 3 will be available.

These pins are not established with a pull-up or a pull-down configuration. The state of these pins is unknown. If these pins must be used, they require a pull-up or a pull-down configuration. The Arduino board allows the pins to be set in a pull-up configuration. If not it must be established an external pull-up or pull-down circuit in order to correctly work with these pins.

## 10 A Zone Features: Communications & RTC & uSD

### 10.1 RS-232

The Arduino Mega function code to access the RS-232 port in the M-Duino is Serial2 (pins 16 and 17 of the Arduino Mega).

For the RS-232 communication protocol there isn't any switch that affects it. So it does not matter the configuration of the switches to implement a RS-232 communication.

Using the boards of Industrial Shields, there is a library that simplifies the RS-232 implementation.

### 10.2 RS-485

For RS485 communication protocol the defined Arduino Mega pins are showed in the chart below.

| Function | Arduino Pin |
|----------|-------------|
| DI       | 14          |
| RO       | 15          |
| RE       | 11          |
| DE       | 46          |

For the RS-485 communication protocol there is only one switch that affects in this communication. The RS-485 protocol will be always enabled, the only switch that affects is the one called "FD rs-485 HD" (See Section 8). This switch makes the choosing between RS-485 Half Duplex or RS-485 Full Duplex (RS-422).

Using the boards of Industrial Shields, there is a library that simplifies the RS-485 implementation.

### 10.3 I2C

I2C communication **DOES NOT REQUIRE** a pull-up resistor for the M-Duino 21 I/Os PLUS. The pull-up resistor is already implemented in the PCB.

I2C communication is configured by switches, so the switches must be configured in order to enable the I2C communication.

| Switch   | ON   | OFF |
|----------|------|-----|
| D ZONE   |      |     |
| SCL/I2.6 | I2.6 | SCL |
| SDA/I2.5 | I2.5 | SDA |

To enable I2C the switches SCL/I2.6 & SDA/I2.5 must be set to OFF mode. In this mode the inputs are totally disabled and the I2C is now enabled.

Industrial Shields does not provide any library to implement the I2C as it can be used the standard library of Arduino called Wire.

## 10.4 SPI

The M-Duino pins used for the SPI bus are summarized in the table below. For SPI bus MISO, MOSI and CLOCK pins are common to all the connected devices to the M-Duino, conversely, each of the connected devices will have a single and dedicated SS pin.

| Function | M-Duino connection                        | Mega board pin            |
|----------|---|---------------------------|
| MISO     | 50 S0                                     | 50                        |
| MOSI     | 51 SI                                     | 51                        |
| CLOCK    | 52 SCK                                    | 52                        |
| Reset    | Reset                                     | Reset                     |
| SS       | SCL/SDA/RX0/TX0/RX1/TX1/RX3/TX3/Pin2/Pin3 | 21/20/1/0/19/18/15/14/2/3 |

Check the switch configuration at section 8 to enable SS pins.

## 10.5 TTL

M-Duino has two TTL ports, RX0/TX0, RX1/TX1. TTL0 is accessed with the function Serial (pins 0 and 1 of the Arduino Mega). TTL1 is accessed with the function Serial1 (pins 18 and 19 of the Arduino Mega).

In order to use the TTL pins the configuration of the switches have to be the following one:

| Switch        | Analog Shield |     |
|---------------|---------------|-----|
|               | ON            | OFF |
| <b>C ZONE</b> |               |     |
| RX1/I1.6      | I1.6          | RX1 |
| TX1/I1.5      | I1.5          | TX1 |

If the switches RX1/I1.6(I1.1) & TX1/I1.5(I1.0) are in OFF mode, the RX1/TX1 will be enabled. In order to use TTL3 these switches must be in OFF mode.

## 10.6 Ethernet

M-Duino Ethernet port controller is based on w5500 IC, which is the compatible IC compatible with Arduino Ethernet2 Shield libraries. All Ethernet shield Arduino libraries are compatible with the M-Duino. In the M-Duino, W5500 IC communicates to the Mega board via SPI bus (SS Arduino Mega pin 10).

## 10.7 RTC

M-Duino RTC Module is based on the DS1307 Chip. This chip works with the I2C protocol communication, so it is required to have enabled the I2C protocol.

4 switches have to be configured in order to enable the RTC features:

| LEFT ZONE |     |     |
|-----------|-----|-----|
| SWITCH    | ON  | OFF |
| NC        | -   | -   |
| NC        | -   | -   |
| RTC SCL   | RTC | -   |
| RTC SDA   | RTC | -   |

RTC SCL & RTC SDA must be set to ON mode to enable the I2C wires to the RTC. If they are in OFF mode, the Arduino won't communicate with the RTC.

| Switch   | ON   | OFF |
|----------|------|-----|
| SCL/I2.6 | I2.6 | SCL |
| SDA/I2.5 | I2.5 | SDA |

I2C (SCL, SDA pins) must be enabled in order to communicate with the RTC. See section 11 I2C to enable it.

Using the boards of Industrial Shields, there is a library that simplifies the RTC implementation called RTC.

## 10.8 uSD

The micro SD uses the SPI communication to interact with the Arduino Mega. The SPI protocol is always enabled, as there are no switches that configure it. However, there is a switch that must be placed to ON mode in order to communicate with the uSD:

D53(SD): If this Switch is OFF, it enables the Chip Select of the microSD socket and disables Q2.0. If this switch is ON, it enables the Q2.0 output. If the switch is in ON mode the microSD can't be used.

The uSD socket is found in the TOP part of the communication Shields, so in the frontal part of the PLC, it is required to open the plastic found in the frontal part and the socket is located under the supply of the Arduino.

| LEFT ZONE |      |         |
|-----------|------|---------|
| Switch    | ON   | OFF     |
| uSD       |      |         |
| D53(SD)   | Q2.0 | D53(SD) |

Using the boards of Industrial Shields, there is a library that simplifies the uSD implementation called SD. It is the same as the Arduino library, with the only modification of using the pin 53 to select the Chip Select of the uSD chip.



**Verify that the CPU is not actively running a process before inserting the memory card.**

Inserting a memory card will cause the CPU to go to STOP mode, which could affect the operation of an online process or machine. Unexpected operation of a process or machine could result in death or injury to personnel and/or property damage. Before inserting a memory card, always ensure that the CPU is offline and in a safe state.

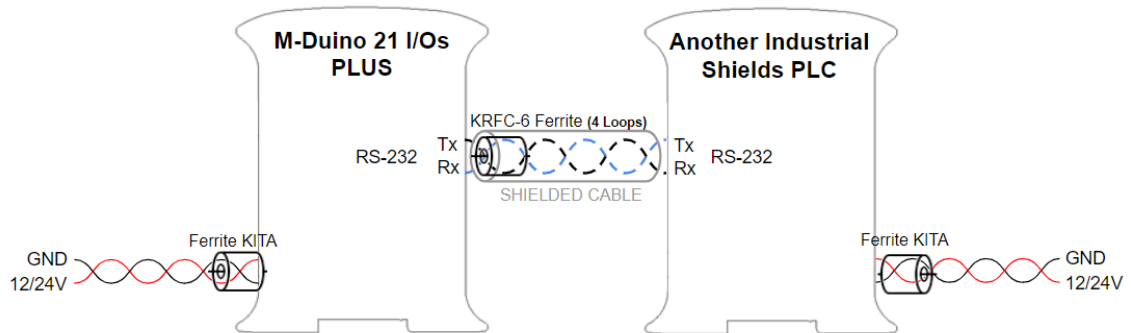


**Vérifiez que le processeur n'exécute pas activement un processus avant d'insérer la carte mémoire.**

Si vous insérez une carte mémoire, la CPU passe en mode STOP, ce qui peut affecter le fonctionnement d'un processus ou d'une machine en ligne. Le fonctionnement inattendu d'un processus ou d'une machine peut entraîner la mort ou des blessures corporelles et / ou des dégâts matériels. Avant d'insérer une carte mémoire, assurez-vous toujours que la CPU est hors ligne et en sécurité.

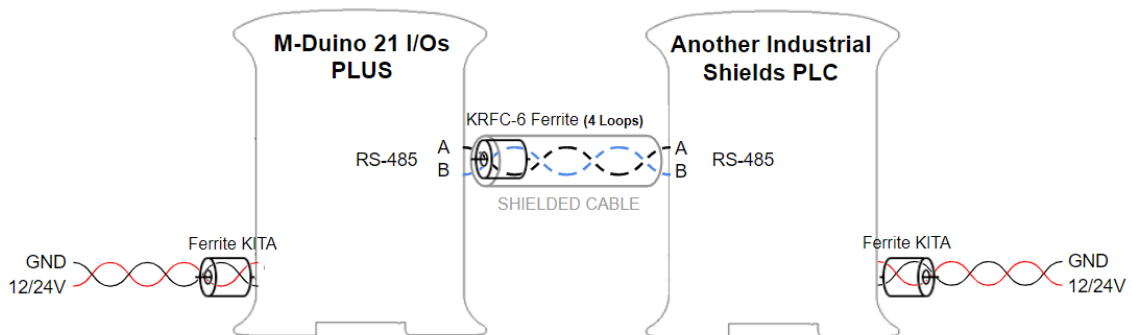
## 11 Instructions for interconnection between Industrial Shields controllers

### 11.1 RS-232 Communication:

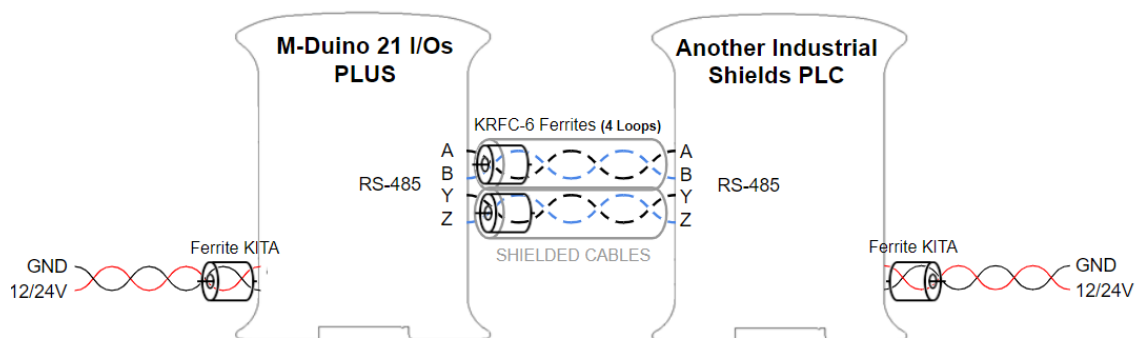


### 11.2 RS-485 Communication:

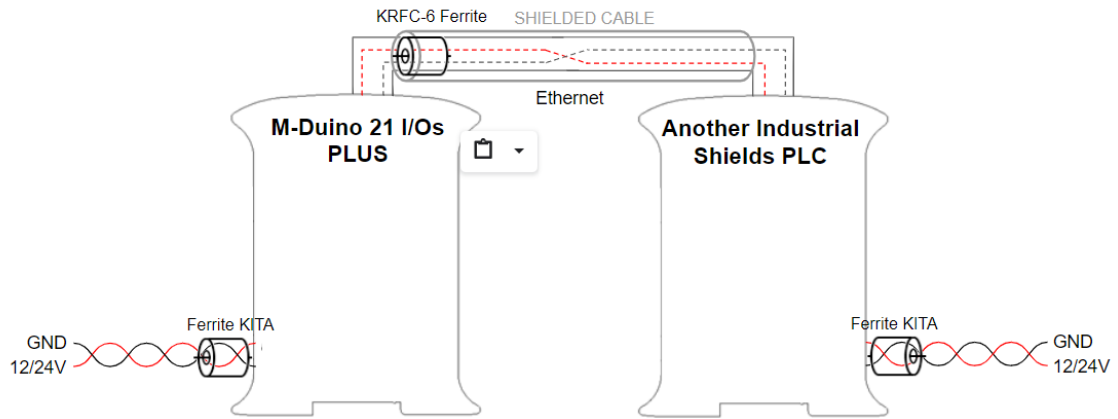
#### 11.2.1.1 Half Duplex



#### 11.2.2 Full Duplex



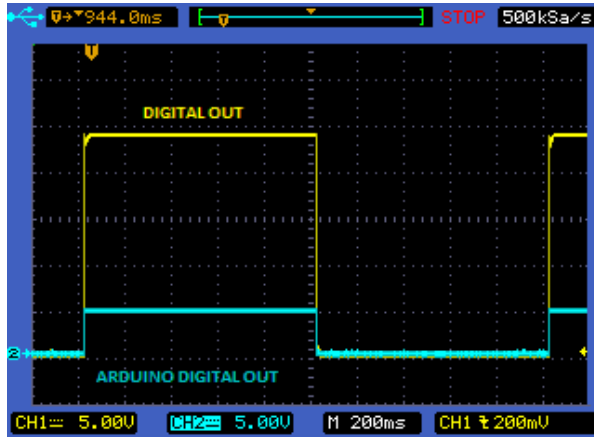
### 11.3 Ethernet



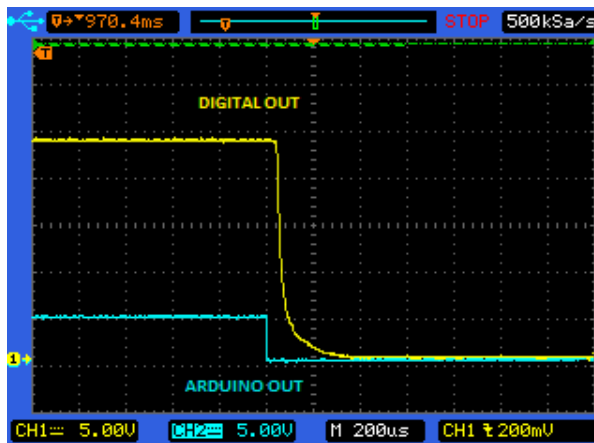
For an Ethernet communication between Industrial Shields equipment a **SFTP CAT-6 Ethernet crossover cable** must be used.

## 12 I/O technical details:

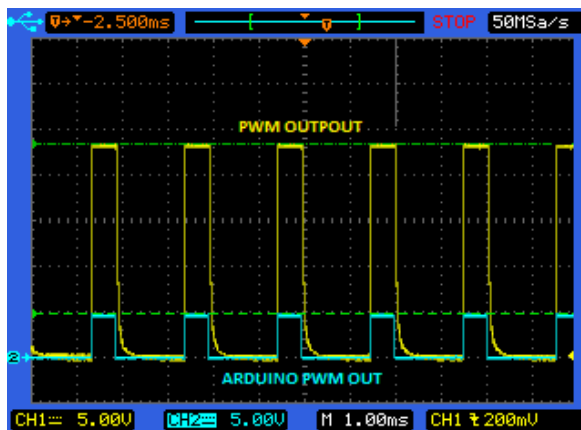
Digital Output Waveform:



Digital Out-put Turn-off:

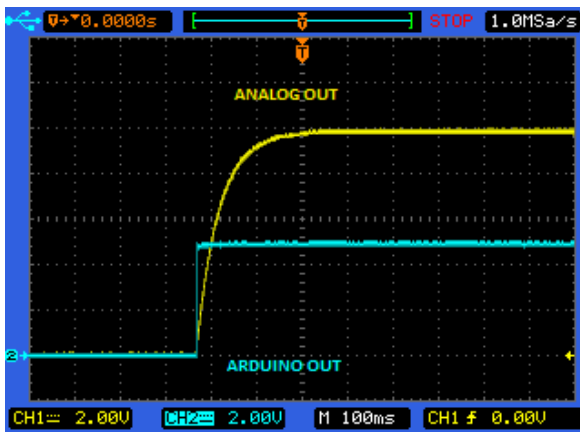


PWM Waveform:

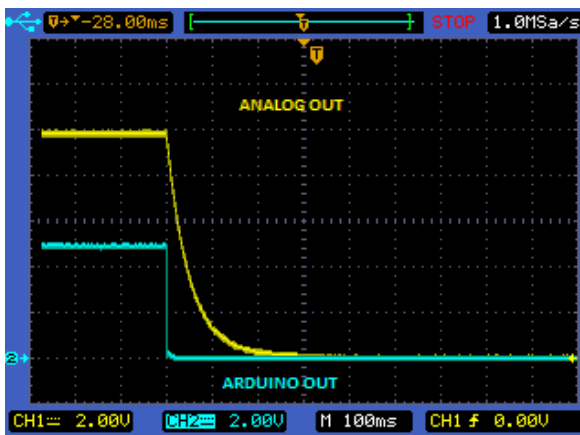




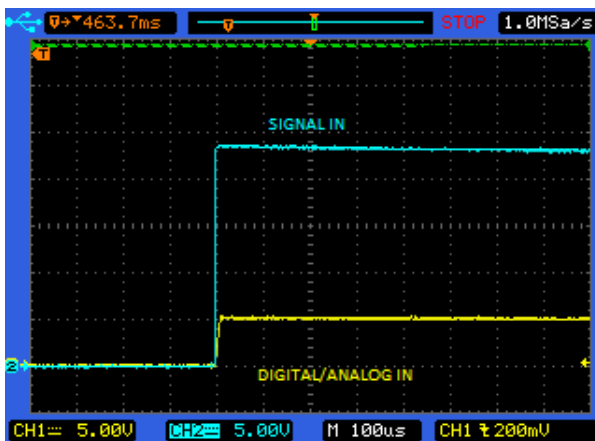
Analog Out Turn On:



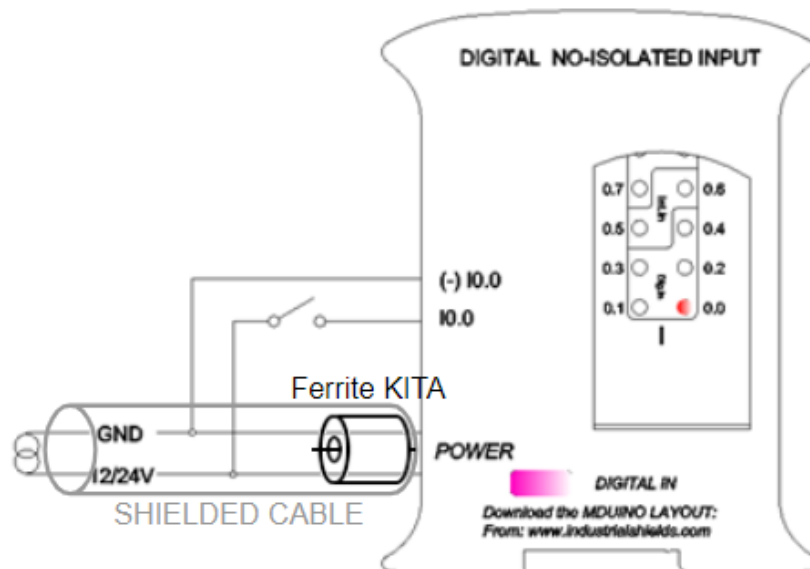
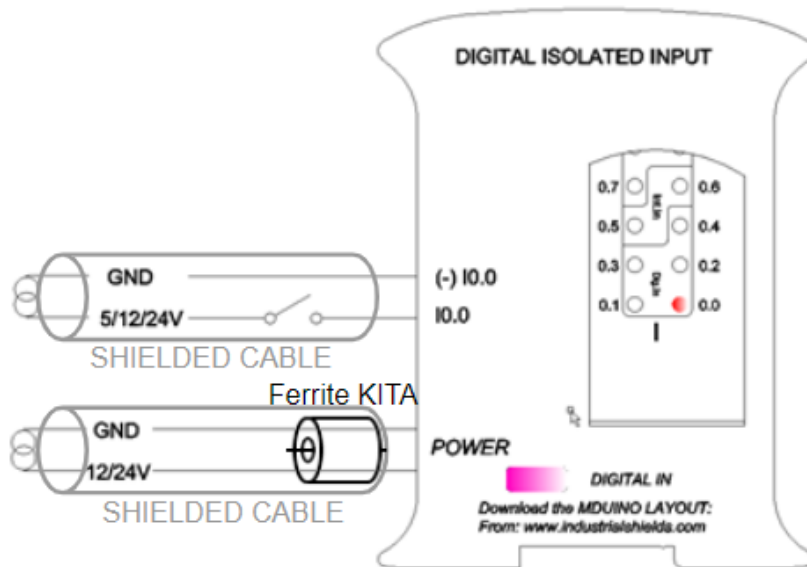
Analog Out Turn-Off:

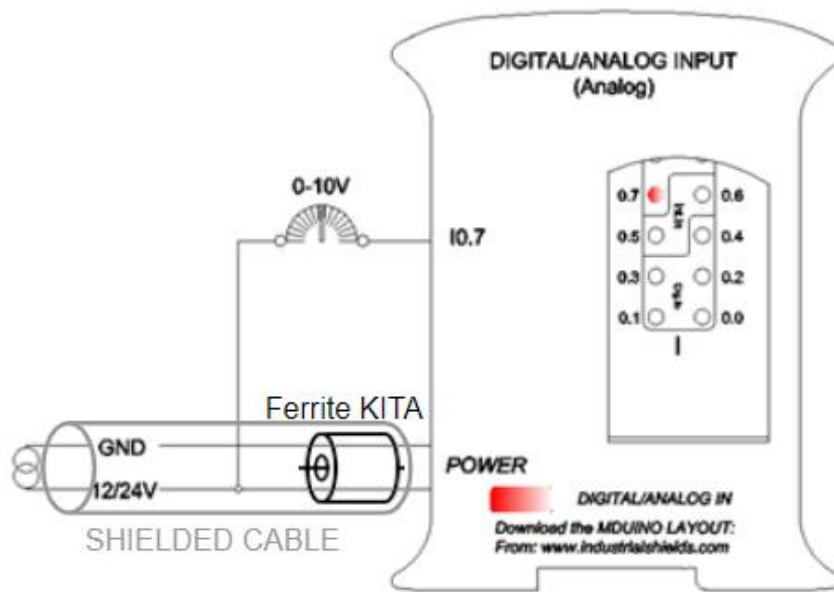
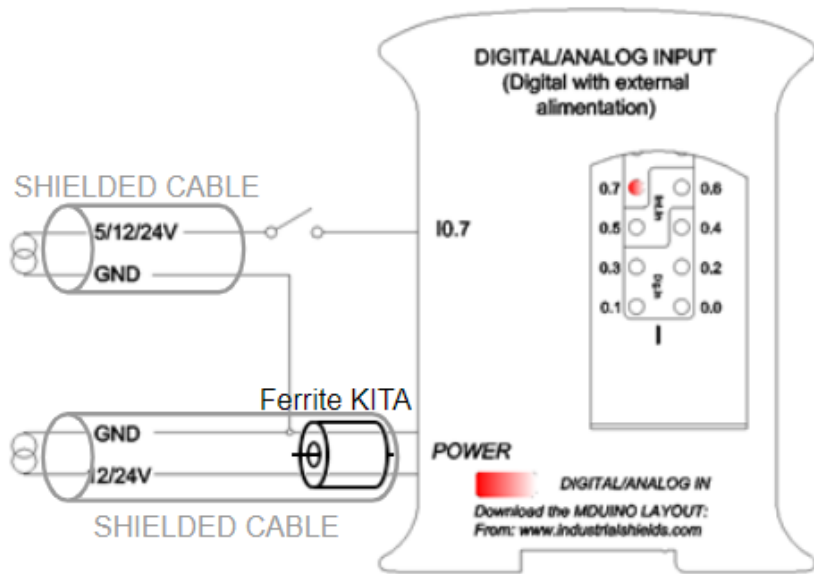


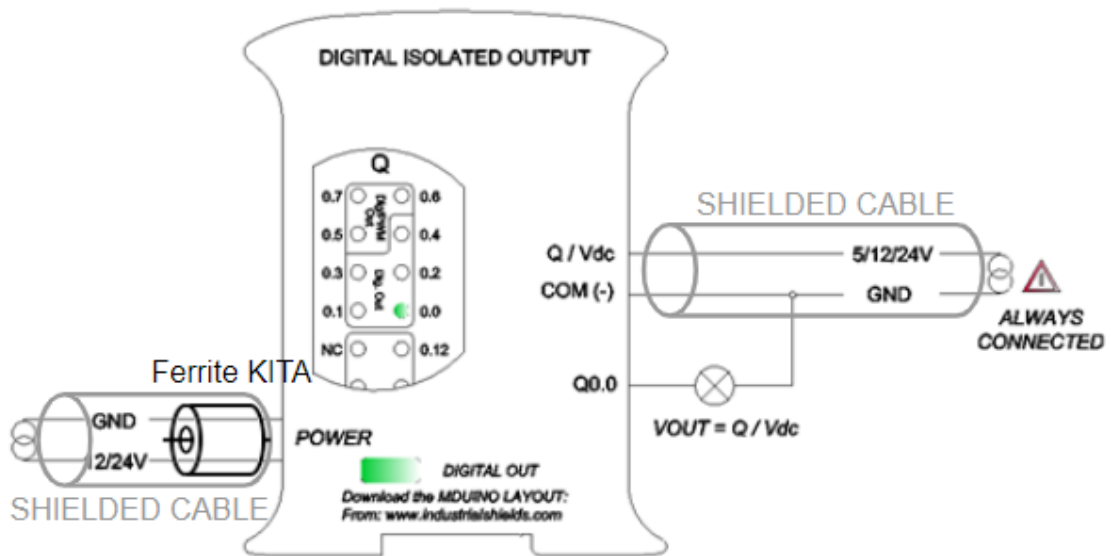
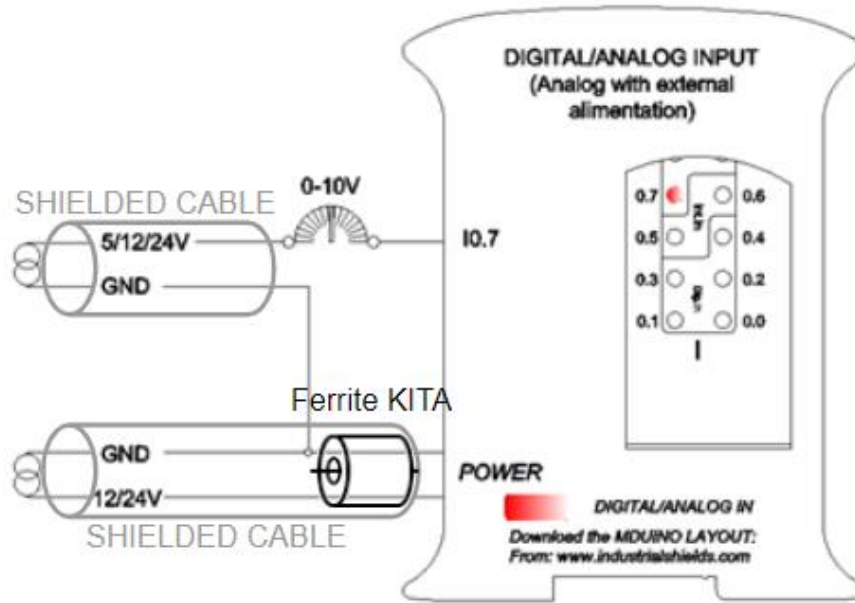
Analog /Digital input Turn-on:

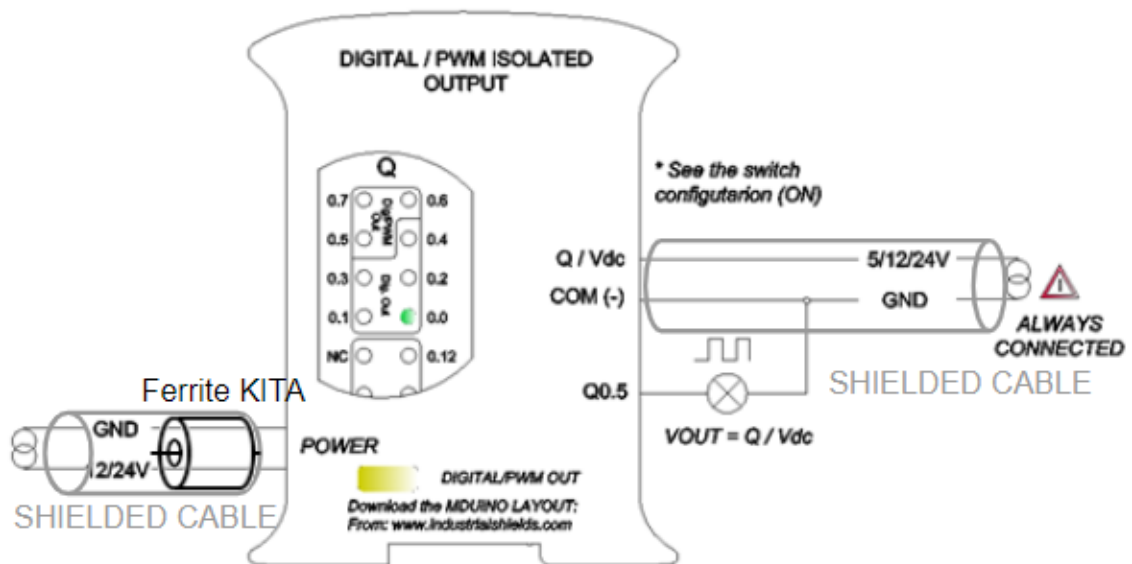
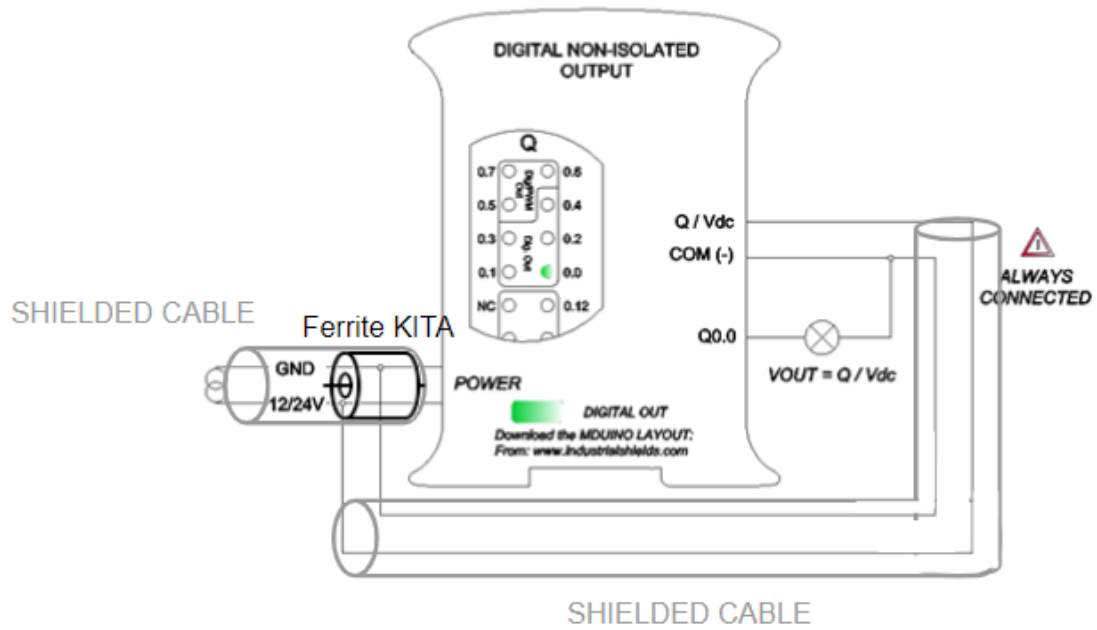


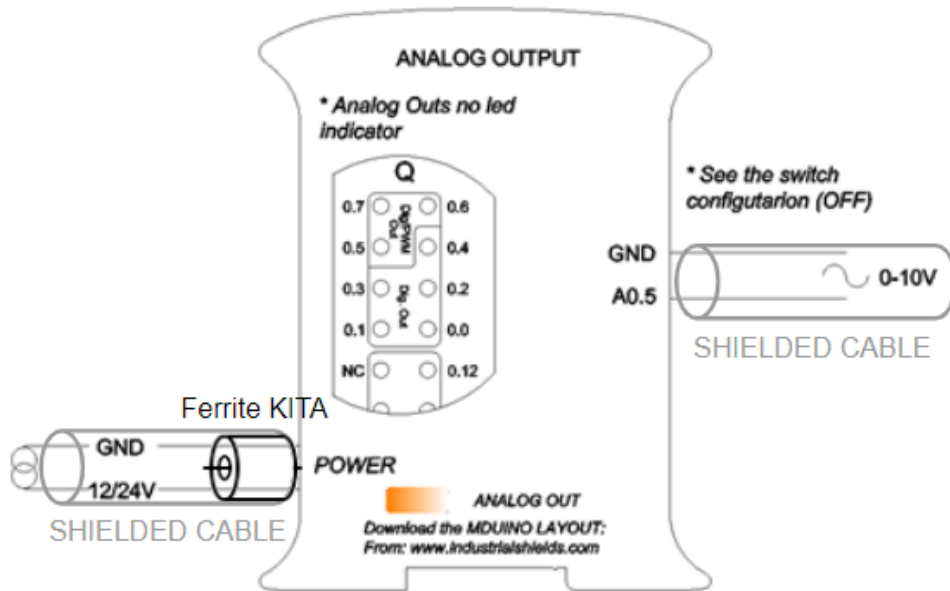
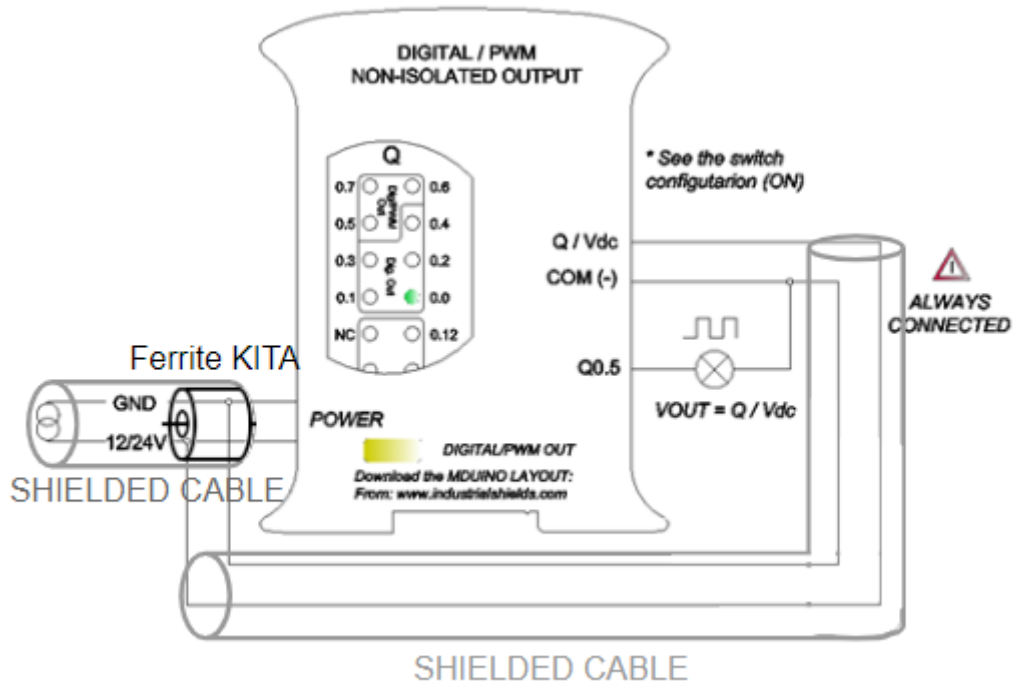
### 13 Typical Connections











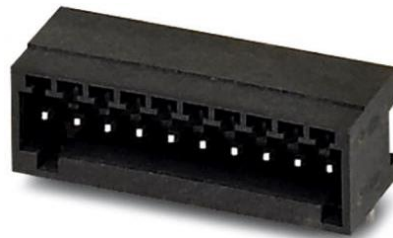
## 14 Connector details:

The connector inside the PLCs that mounts on the PCB is MC 0,5/10-G-2,5 THT – 1963502 from Phoenix contact. [MC0,5/10-G-2,5THT](#)

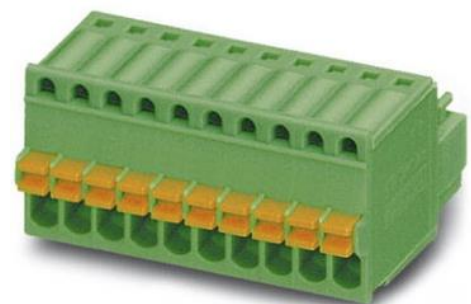
For I/O and power supply there is a FK-MC 0,5/10-ST-2,5 - 1881406 connector from Phoenix contact. [FK-MC 0,5/10-ST-2,5](#)

Connection details:

|                          |                     |
|--------------------------|---------------------|
| <b>Article reference</b> | MC 0,5/10-G-2,5 THT |
| <b>Height</b>            | 8,1mm               |
| <b>Pitch</b>             | 2,5mm               |
| <b>Dimension</b>         | 22,5mm              |
| <b>Pin dimensions</b>    | 0,8x0,8mm           |
| <b>Pin spacing</b>       | 2,50mm              |

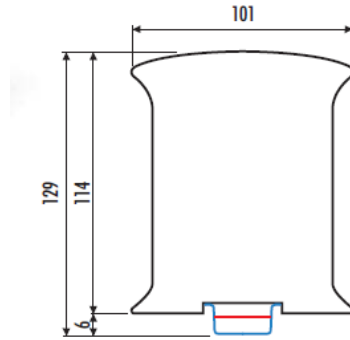


|                                       |                      |
|---------------------------------------|----------------------|
| <b>Article reference</b>              | FK-MC 0,5/10-ST-2,5  |
| <b>Rigid conduit section min.</b>     | 0,14 mm <sup>2</sup> |
| <b>Rigid conduit section max.</b>     | 0,5 mm <sup>2</sup>  |
| <b>Flexible conduit section min.</b>  | 0,14 mm <sup>2</sup> |
| <b>Flexible conduit section max.</b>  | 0,5 mm <sup>2</sup>  |
| <b>Conduit section AWG/kcmil min.</b> | 26                   |
| <b>Conduit section AWG/kcmil max.</b> | 20                   |

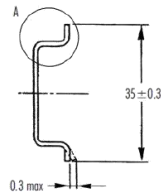
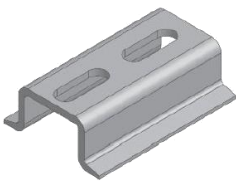


## 15 Mechanical Characteristics

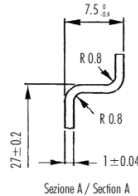
- **Dimension M-Duino 21 I/Os PLUS:**



- **DIN Rail mounting**

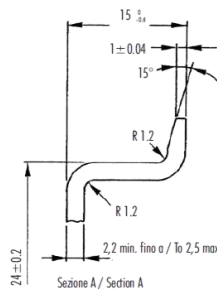


Profilato a cappello TH 35-7,5  
Top hat rail TH 35-7,5



Sezione A / Section A

Profilato a cappello TH 35-15  
Top hat rail TH 35-15



Sezione A / Section A



| CARATTERISTICHE                  | METODO                                 | UNITA DI MISURA | BLEND PC/ABS      |           |
|----------------------------------|--|-----------------|-------------------|-----------|
| <b>Mecchaniche</b>               | Resistenza a trazione allo spezzamento | ASTM D638       | MPa               | 68        |
|                                  | Resistenza a trazione a rottura        | ASTM D638       | MPa               | 48        |
|                                  | Allungamento a rottura                 | ASTM D638       | %                 | 57        |
|                                  | Modulo in flessione                    | ASTM D790       | MPa               | 2894      |
| <b>Termiche</b>                  | Flame test con intaglio                | ISO 180/14      | kJ/m <sup>2</sup> | 5.5       |
|                                  | Temp. di ammorbidimento V50, metodo B  | ASTM D1525      | °C                | 114       |
|                                  | Temperatura Ricetta 1.81 MPa           | ASTM D448       | °C                | 97        |
| <b>Fisiche</b>                   | Peso specifico                         | ASTM D792       | g/cm <sup>3</sup> | 1.21      |
|                                  | Ritiro nella stampo                    | ASTM D955       | %                 | 0.4/0.6   |
|                                  | Mult Flow Index 260°C - 98N            | ASTM D1238      | g/10'             | 11.1      |
| <b>Comportamento alla fiamma</b> | Autostinguardo (mm di spessore)        | UL94            | -                 | V-0 (0.8) |
|                                  | Filo Inamidato 3.2 mm                  | IEC695.2.1      | °C                | 960       |

Italtronic si riserva il diritto di modificare il materiale con cui realizza i propri prodotti senza obbligo di preavviso.

| FEATURES               | TEST METHOD                           | UNITS      | BLEND PC/ABS      |           |
|------------------------|---------------------------------------|------------|-------------------|-----------|
| <b>Mechanical test</b> | Resistance to tensile stress at yield | ASTM D638  | MPa               | 68        |
|                        | Tensile strength                      | ASTM D638  | MPa               | 48        |
|                        | Ultimate elongation                   | ASTM D638  | %                 | 57        |
|                        | Flexure modulus                       | ASTM D790  | MPa               | 2894      |
| <b>Thermal test</b>    | Heat test method                      | ISO 180/14 | kJ/m <sup>2</sup> | 5.5       |
|                        | Heat softening temperature method B   | ASTM D1525 | °C                | 114       |
|                        | Reference temperature 1.81 MPa        | ASTM D448  | °C                | 97        |
| <b>Physical test</b>   | Specific gravity                      | ASTM D792  | g/cm <sup>3</sup> | 1.21      |
|                        | Mold shrinkage                        | ASTM D955  | %                 | 0.4/0.6   |
|                        | Mult Flow Index 260°C - 98N           | ASTM D1238 | g/10'             | 11.1      |
| <b>Flame test</b>      | Self extinguisher (thickness in mm)   | UL94       | -                 | V-0 (0.8) |
|                        | Insulating thread 3.2 mm              | IEC695.2.1 | °C                | 960       |

Italtronic can operate any change of the materials without being obliged to forewarn.

**For optimal operation of the product, it must be located in an electrical cabinet with IK08 mechanical protection. The minimum IP protection degree required is IP56.**



## 16 Installation and Maintenance

### Notes for installation:

- The installation position should be free from the following: dust or oil smoke, conductive dust, corrosive or flammable gas, high temperature, condensation, and rain.
- Besides, vibration and impact also affect the PLC normal operation and shorten its lifespan; electric shock, fire or misact also damages the product. During drilling or wiring, prevent the metal particles or wire segments from falling into the PLC casing, which may cause fire, fault or misact.
- After the PLC installation, clean the ventilation duct to prevent blocking, which may cause bad ventilation, or even fire, faults or misact.
- Do not online connect, plug or unplug cables, which is apt to cause electric shock or damage the circuit. Installation and wire connection must be firm and reliable. Poor connection could cause misact.
- Use shielded twisted pair for the I/O of high frequency signal and analog signal to improve system IMS.

The installation environment should be free from dust, oil smoke, conductive particle, corrosive or flammable gases, high temperature, condensation, and rain.

Besides, vibration and impact also affect the PLC normal operation and shorten its lifespan. It is recommended to install the PLC, together with the matching switches and contactors, in a dedicated electric cabinet and keep the cabinet ventilated. If the location has high ambient temperature or heat generating equipment nearby, install forced convection devices on top or sides of the cabinet to avoid over-temperature. During drilling or wiring, prevent the metal particles or wire segments from falling into the PLC casing, which may cause fire, fault or misact. After the PLC installation, clean the ventilation duct to prevent blocking, which may cause bad ventilation, or even fire, faults or misact.

The only way to disconnect the equipment from the electrical network is by removing the connectors that feed the equipment. Once installed in the electrical cabinet it is very important to ensure the power connectors for proper operation.

### Separate the M-Duino 21 I/Os PLUS from heat, high voltaje and eletrical noise:

Always separate the devices that generate high voltage and high electrical noise from the M-Duino 21 I/Os PLUS. When configuring the layout of the M-Duino 21 I/Os PLUS inside your panel, consider the heat-generating devices and locate the electronic-type devices in the cooler areas of your cabinet. Reducing the exposure to a high-temperature environment will extend the operating life of any electronic device. Consider also the routing of the wiring for the devices in the electric cabinet. Avoid placing low-voltage signal wires and communications cables in the same tray with AC power wiring and highenergy, rapidly-switched DC wiring.

Provide adequate clearance for cooling and wiring M-Duino 21 I/Os PLUS. Is designed for natural convection cooling. For proper cooling, you must provide a clearance of at least 25 cm above and below the devices. Also, allow at least 25 cm of depth between the front of the modules and the inside of the enclosure.

#### Notes for maintenance:

A well-planned and executed maintenance program is essential to the satisfactory operation of solid-state electrical equipment. The kind and frequency of the maintenance operation will vary with the kind and complexity of the equipment as well as with the nature of the operating conditions. Maintenance recommendations of the manufacturer or appropriate product standards should be followed.

The following factors should be considered when formulating a maintenance program:

- Maintenance must be performed by qualified personnel familiar with the construction, operation, and hazards involved with the control.
- Maintenance should be performed with the control out of operation and disconnected from all sources of power.
- Care should be taken when servicing electrostatic sensitive components. The manufacturer's recommendations for these components should be followed.
- Ventilation passages should be kept open. If the equipment depends upon auxiliary cooling, e.g., air, water, or oil, periodic inspection (with filter replacement when necessary) should be made of these systems.
- The means employed for grounding or insulating the equipment from ground should be checked to assure its integrity.
- Accumulations of dust and dirt on all parts, including on semiconductor heat sinks, should be removed according to the manufacturer's instructions, if provided; otherwise, the manufacturer should be consulted. Care must be taken to avoid damaging any delicate components and to avoid displacing dust, dirt, or debris in a way that permits it to enter or settle into parts of the control equipment.
- Enclosures should be inspected for evidence of deterioration. Accumulated dust and dirt should be removed from the top of the enclosures before opening doors or removing covers.
- Certain hazardous materials removed as part of maintenance or repair procedure (e.g., polychlorinated biphenyls (PCBs) found in some liquidfilled capacitors) must be disposed of as described in Federal regulations.

#### Safety rules for maintenance personnel

Consider the following steps to follow. A false manoeuvre could be the cause of an accident or material damage.

Do not disassemble or modify the modules. This could lead to breakdowns or malfunctions and could lead to injuries or fire.

- All types of radio communication devices, including mobile phones and personal handy-phone systems (PHS), must be kept more than **25cm** away from the PLC in all directions. Failure to observe this precaution exposes malfunctions caused by excess of temperature.
- Disconnect the external power supply of the system (on all phases) before connecting or disconnecting a module. Failure to observe this precaution may cause faults or malfunctions of the module.

- Tighten the screws of the terminal ports and the screws of the connectors within the prescribed tightening torque. Insufficient tightening can lead to loose parts or wires and cause malfunctions. Excessive tightening can damage the screws and / or the module, with the risk of falling, short circuits and malfunctions.
- Before handling a module, dispose of the electrostatic charge accumulated by the human body by touching a suitable conductive object. Failure to observe this precaution may cause faults or malfunctions of the module.

Repair note:

If the equipment is suitable to be repaired, it must be verified that the equipment remains in a safe state after repair.

## 17 Revision Table

| Revision Number | Date       | Changes                       |
|-----------------|------------|-------------------------------|
| 0               | 30/08/2019 | First implementation          |
| 1               | 21/02/2019 | ETL Listing Mark-Direct added |
|                 |            |                               |
|                 |            |                               |
|                 |            |                               |
|                 |            |                               |
|                 |            |                               |
|                 |            |                               |

About Industrial Shields:

Direction: Fàbrica del Pont, 1-11

Zip/Postal Code: 08272

City: Sant Fruitós de Bages (Barcelona)

Country: Spain

Telephone: (+34) 938 760 191 / (+34) 635 693 611

Mail: [industrialshields@industrialshields.com](mailto:industrialshields@industrialshields.com)