

# Front plate - ECS-P-122X169-S-UV1-2PRC5 - 1143771

Please be informed that the data shown in this PDF Document is generated from our Online Catalog. Please find the complete data in the user's documentation. Our General Terms of Use for Downloads are valid (<http://phoenixcontact.com/download>)


ECS family faceplate, ready for integration of two PV PRC5 connectors, screw locking, rated IP66/67/69 when combined with ECS housing, Color: Black (9005), Width: 163 mm, Height: 30 mm, Depth: 62 mm

## Your advantages

- ✔ Effective protection of electronics against thermal and mechanical influences
- ✔ Housing design supports the installation of a range of PCB thicknesses for high application diversity
- ✔ Optional pressure compensation membrane for fluctuating ambient pressure
- ✔ Optional accessories for wall and mast mounting



## Key Commercial Data

Packing unit	1
GTIN	 4 063151 130367
GTIN	4063151130367
Custom tariff number	85389099

## Technical data

### Item properties

Type	ECS-P-122X169-S-UV1-2PRC5
Order No.	1143771
Housing type	outdoor housings
Type	Screw locking
Impact strength	IK08

### Measurements

Width [ w ]	163 mm
Height [ h ]	30 mm
Depth [ d ]	62 mm

### Material specifications

Flammability rating according to UL 94	V0
Housing material	PC (polycarbonate)

### Packaging information

Pieces per package	5
Denomination packing units	Pcs.

# Front plate - ECS-P-122X169-S-UV1-2PRC5 - 1143771

## Technical data

### Standards and regulations

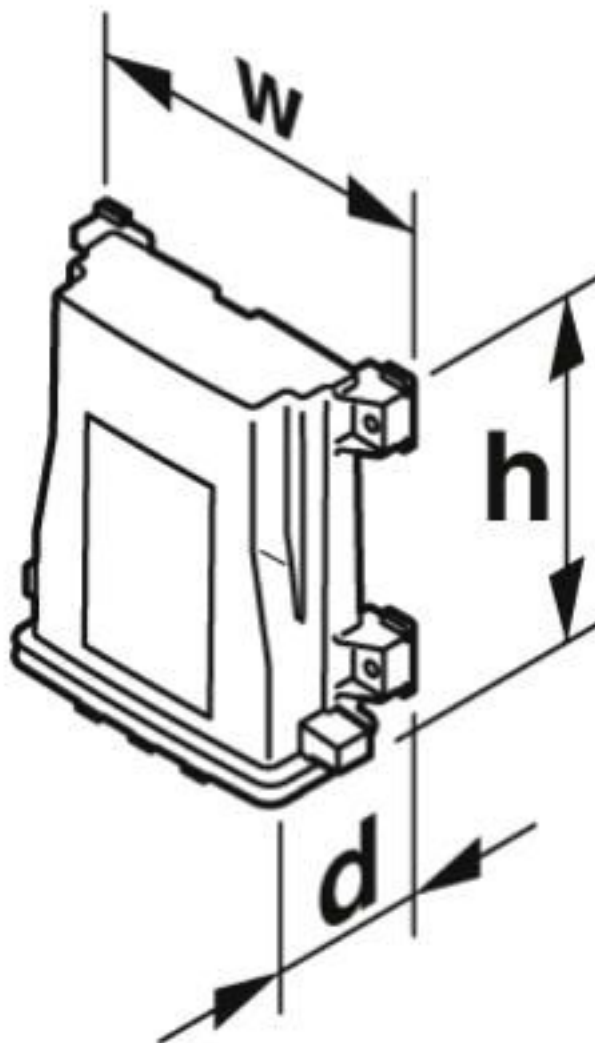
Flammability rating according to UL 94	V0
--	----

### Environmental Product Compliance

REACH SVHC	Lead 7439-92-1
------------	----------------

## Drawings

Dimensional drawing



## Classifications

eCl@ss

eCl@ss 10.0.1	27182702
eCl@ss 8.0	27182702

## Front plate - ECS-P-122X169-S-UV1-2PRC5 - 1143771

### Classifications

#### eCl@ss

eCl@ss 9.0	27182702
------------	----------

#### ETIM

ETIM 5.0	EC000058
----------	----------