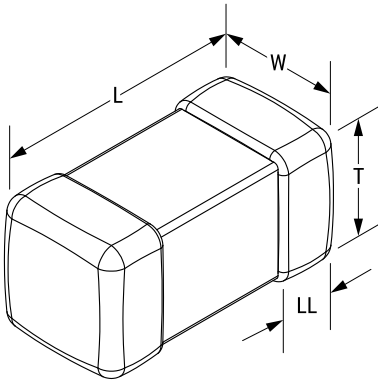


KEMET, Z-SMS, Ferrite Beads, Noise Suppression, 50 mOhms



General Information	
<b>Series:</b>	Z-SMS
<b>Style:</b>	SMD Chip
<b>Description:</b>	Chip Bead Signal Line
<b>Features:</b>	Suppresses The XL Component; Helps Stop The Reduction Of The Wave-Form Integrity
<b>RoHS:</b>	Yes
<b>Notes:</b>	Internal Silver Printed Layer Creates A Closed Circuit Which Acts As A Magnetic Shield To Minimize Heat Generation And Crosstalk

Dimensions	
<b>Chip Size</b>	0805
<b>L</b>	2mm +0.3/-0.1mm
<b>W</b>	1.25mm +/-0.2mm
<b>T</b>	0.85mm +/-0.2mm
<b>B</b>	0.5mm +/-0.3mm

Specifications	
<b>Impedance:</b>	47 Ohms (100 mHz)
<b>Impedance Tolerance:</b>	25%
<b>Ripple Current:</b>	1000 mA (MAX)
<b>Temperature Range:</b>	-55/+125°C
<b>Resistance:</b>	0.05 Ohms

Packaging Specifications	
<b>Packaging:</b>	T&R
<b>Packaging Quantity:</b>	4000

Statements of suitability for certain applications are based on our knowledge of typical operating conditions for such applications, but are not intended to constitute - and we specifically disclaim - any warranty concerning suitability for a specific customer application or use. This Information is intended for use only by customers who have the requisite experience and capability to determine the correct products for their application. Any technical advice inferred from this Information or otherwise provided by us with reference to the use of our products is given gratis, and we assume no obligation or liability for the advice given or results obtained.