



# CorePro LEDbulb

## CorePro LEDbulb ND 13-100W A60 B22 827

LEDbulbs are compatible with existing fixtures with an E27 holder and are designed for retrofit replacement of incandescent bulbs.

### Product data

General Information	
Cap base	B22 [ B22]
EU RoHS compliant	Yes
Nominal lifetime (nom.)	15000 h
Switching cycle	50,000X
Technical type	13-100W

Light Technical	
Colour code	827 [ CCT of 2,700 K]
Beam Angle (Nom)	200 °
Luminous flux (nom.)	1521 lm
Colour designation	Warm white (WW)
Correlated Colour Temperature (Nom)	2700 K
Luminous efficacy (rated) (nom.)	117.00 lm/W
Colour consistency	<6
Color rendering index (nom.)	80
LLMF at end of nominal lifetime (nom.)	70 %

Operating and Electrical	
Input frequency	50 to 60 Hz
Power (Rated) (Nom)	13 W
Lamp current (nom.)	120 mA
Wattage equivalent	100 W
Starting time (nom.)	0.5 s
Warm-up time to 60% light (nom.)	0.5 s

Power factor (nom.)	0.5
Voltage (Nom)	220-240 V

Temperature	
T-Case maximum (nom.)	85 °C

Controls and Dimming	
Dimmable	No

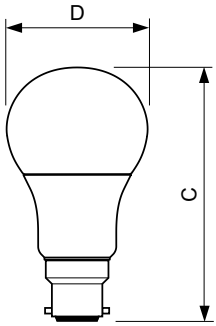
Mechanical and Housing	
Bulb finish	Frosted

Approval and Application	
Energy efficiency label (EEL)	A+
Energy Consumption kWh/1000 h	13 kWh

Product Data	
Full product code	871869651002500
Order product name	CorePro LEDbulb ND 13-100W A60 B22 827
EAN/UPC – product	8718696510025
Order code	51002500
Numerator – quantity per pack	1
Numerator – packs per outer box	10
Material no. (12NC)	929001234102
Net weight (piece)	0.076 kg

# CorePro LEDbulb

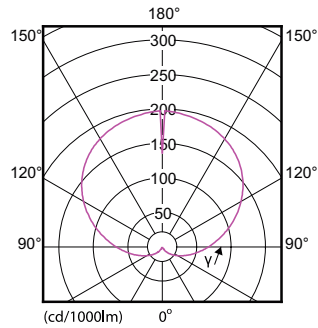
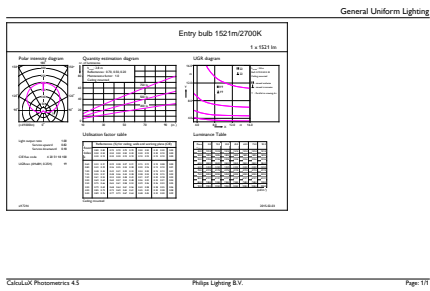
## Dimensional drawing



Entrybulb 230V 13.5W-100W 2700K B22 ND

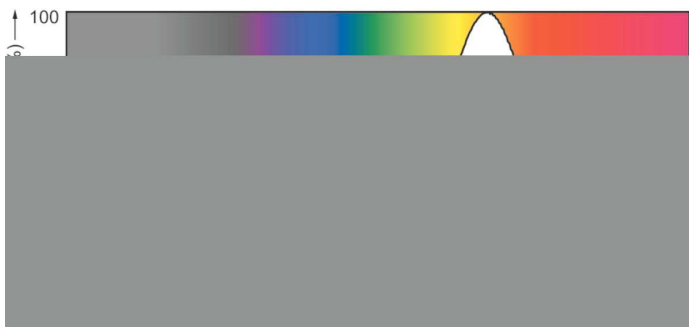
Product	D	C
CorePro LEDbulb ND 13-100W A60 B22 827	60 mm	110 mm

## Photometric data



CorePro LEDbulb ND 13-100W A60

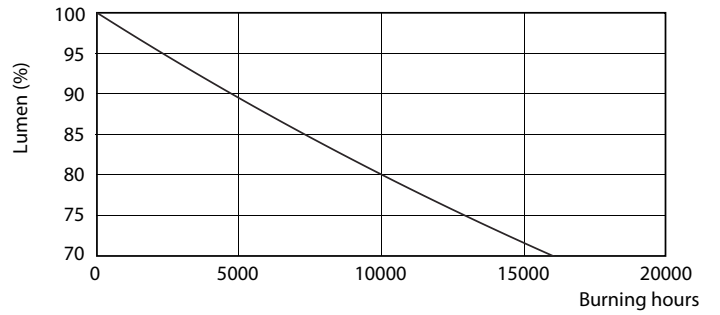
CorePro LEDbulb ND 13-100W A60



SDPO\_LED Bulb\_0021-Spectral Power distribution

# CorePro LEDbulb

## Lifetime



LEDbulb 100W E27 840 FR A60

LEDbulb 100W E27 840 FR A60

