

**PLEASE CHECK WWW.MOLEX.COM FOR LATEST PART INFORMATION**

**Part Number:** **1715757108**  
**Status:** **Active**  
**Overview:** Impact™ Backplane Connectors and Cable Assemblies  
**Description:** Impact 100 Ohm 5 Pair Right-Angle Orthogonal Direct Header, Top Guide, Bottom Endwall, with Outrigger, 10 Column, 90#Mate Position, Pin Length 5.50mm, Plated Through-Hole Dimension 0.39mm, Lead-Free

**Documents:**

<a href="#">3D Model</a>	<a href="#">Application Specification AS-76850-990-001 (PDF)</a>
<a href="#">3D Model (PDF)</a>	<a href="#">Packaging Specification PK-70873-8022-001 (PDF)</a>
<a href="#">Drawing (PDF)</a>	<a href="#">Packaging Specification PK-70873-8023-001 (PDF)</a>
<a href="#">Product Specification PS-45499-002-001 (PDF)</a>	<a href="#">Symbol Footprint Data SYM-171575-7108 (PDF)</a>
<a href="#">Product Specification PS-76060-999-001 (PDF)</a>	<a href="#">RoHS Certificate of Compliance (PDF)</a>
<a href="#">Application Specification AS-76060-9999-001 (PDF)</a>	

**Agency Certification**

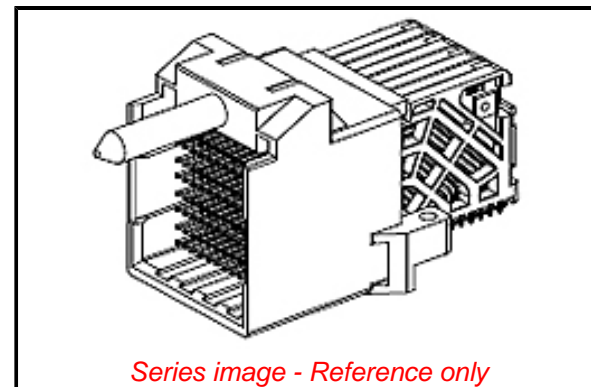
UL E29179

**General**

Product Family	Backplane Connectors
Series	<a href="#">171575</a>
Application	Orthogonal Direct
Application Tooling Documents	TM-622018799
Component Type	PCB Header
Overview	<a href="#">Impact™ Backplane Connectors and Cable Assemblies</a>
Product Name	Impact
UPC	887191301549

**Physical**

Circuits (Loaded)	150
Circuits (maximum)	150
Color - Resin	Black
Durability (mating cycles max)	200
First Mate / Last Break	No
Flammability	94V-0
Guide to Mating Part	Yes
Keying to Mating Part	None
Material - Metal	High Performance Alloy (HPA)
Material - Plating Mating	Gold
Material - Plating Termination	Tin
Material - Resin	High Temperature Thermoplastic
Net Weight	33.170/g
Number of Columns	10
Number of Pairs	5
Number of Rows	15
Orientation	Right Angle
PC Tail Length	1.20mm
PCB Locator	No
PCB Retention	Yes
PCB Thickness - Recommended	1.00mm
Packaging Type	Tray
Pitch - Mating Interface	1.35mm, 1.90mm, 2.15mm
Pitch - Termination Interface	1.35mm, 1.90mm, 2.15mm
Plating min - Mating	0.762µm
Polarized to PCB	Yes
Stackable	No
Temperature Range - Operating	-55° to +85°C



Series image - Reference only

**EU ELV**

**Not Relevant**

**EU RoHS**

**Compliant**

**REACH SVHC**

Not Contained Per -  
D(2020)4578-DC (25  
June 2020)

**Halogen-Free**

**Status**

**Not Low-Halogen**

For more information, please visit [Contact US](#)

China ROHS

ELV

RoHS Phthalates

**China RoHS**

Green Image

Not Relevant

Not Contained

**Search Parts in this Series**

[171575 Series](#)

**Mates With**

[76990](#) Impact 100 Ohm Right Angle  
Orthogonal Daughtercard

**Application Tooling | FAQ**

*Tooling specifications and manuals are found by selecting the products below. Crimp Height Specifications are then contained in the Application Tooling Specification document.*

**Global**

Description	Product #
Impact Daughter Card Extraction Tool	<a href="#">622024300</a>
Impact Orthogonal Direct Ram Module Installation Press-In Tool 5-Pair by 10 Column	<a href="#">622030028</a>

Termination Interface: Style Through Hole - Compliant Pin

**Electrical**

Current - Maximum per Contact 0.75A  
Data Rate 25.0 Gbps  
Impedance 100Ω  
Shield Type N/A  
Shielded No  
Voltage - Maximum 30V AC (RMS)/DC

**Solder Process Data**

Lead-free Process Capability N/A

**Material Info**

**Reference - Drawing Numbers**

Application Specification AS-76060-9999-001, AS-76850-990-001  
Packaging Specification PK-70873-8022-001, PK-70873-8023-001  
Product Specification PS-45499-002-001, PS-76060-999-001  
Sales Drawing SD-171575-0002-001  
Symbol/Footprint Data SYM-171575-7108

This document was generated on 08/07/2020

**PLEASE CHECK [WWW.MOLEX.COM](http://WWW.MOLEX.COM) FOR LATEST PART INFORMATION**