



Features:

- 25W Single Output - Regulated
- Output Range: 5.1V - 48VDC
- Input: 90 - 305VAC , 47 - 440Hz
- Low Standby Power <0.1W
- Height 23.5mm
- Fully Isolated Pri - Sec 4000Vrms
- EMC Compliant without external components
- Materials: UL94-V0
- Safety: UL/IEC/EN62368-1, EN60335-1, CE,

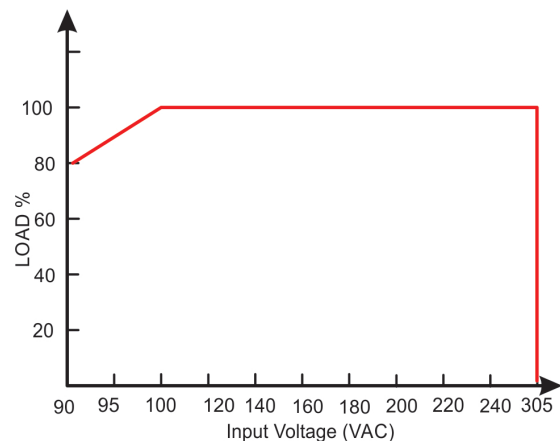
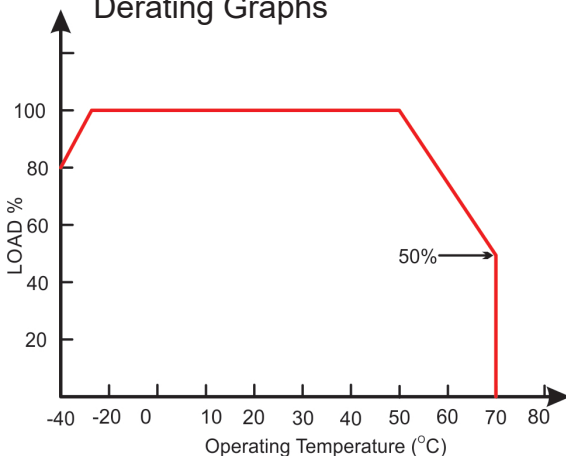
Part Number	Power Rating Watts	Output Voltage (Vdc)	Output Current (mA)	Ambient Temp. (°C)	Efficiency Typical	Input Range
VTX-214-025-105	20	5.1	3922	70	>83%	90 - 305VAC (120-430VDC)
VTX-214-025-107	25	7.5	3333			
VTX-214-025-109	25	9	2770			
VTX-214-025-112	25	12	2083			
VTX-214-025-115	25	15	1666			
VTX-214-025-124	25	24	1042			
VTX-214-025-148	25	48	521			

Note: Other output voltages are available upon request.

Maximum Capacitive Load:

- 5V: 2000uF
- 12V: 680uF
- 15V: 220uF
- 24V: 220uF

Derating Graphs



Please contact Vigortronix for any enquiries. Products can be altered to suit custom requirements. The information contained in this document is subject to change without notice.

Vigortronix, 16 De Havilland Way, Witney, Oxfordshire, OX29 0YG, UK

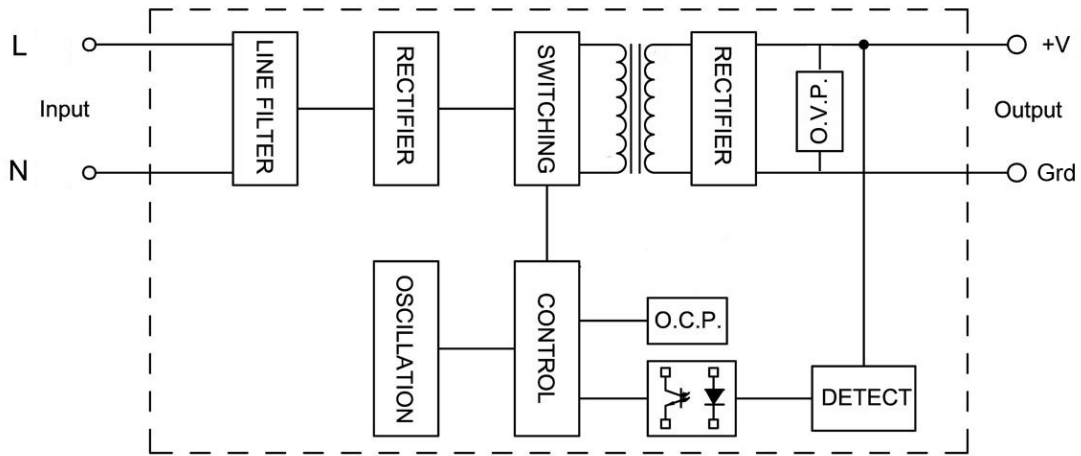
Tel. +44 (0)1993 777570 Fax. +44 (0)1993 777580 Web. www.vigortronix.com E-mail: sales@vigortronix.com

Vigortronix is a trading name of Vigortronix (UK) Limited

Model: 25Watt		Specification
INPUT Pin 1: L Pin 2: N	Voltage Range	90 - 305VAC / 47 - 440Hz (120 ~ 430VDC)
	Current	490mA Max (115VAC) / 320mA Max (230VAC)
	Inrush Current	30A Max (115VAC) / 60A Max (230VAC)
	No Load power	0.1W
	Leakage Current	0.25 mA
OUTPUT Pin 3: VDC+ Pin 4: VDC-	Voltage Accuracy	+/- 2%
	Ripple	<240mV Max (Vp-p)
	Noise	<3% Vout Max (Vp-p)
	Efficiency	>83%
	Load Regulation	+/-1.5% (+/-3% 5.1VDC)
	Hold Up Time	36mSec Min.
	Minimum Load	0
Protection	Over Power	Hiccup mode
	Over Voltage	Zener Diode clamp
	Short Circuit Protection	Hiccup mode
Dielectric Isolation	Input to Output	4000Vrms, 2Sec Min.
Environment	Operating Temperature	-40°C - +70°C (With Derating)
	Storage Temperature	-40°C - +85°C
	MTBF	>400,000Hrs @ 25°C (MIL-HDBK-217F)
	Weight	60g
	Cooling Method	Free Air convection
Safety	Compliant Standards	UL/IEC/EN62368-1, EN60335-1, IEC/EN61558-2-16
EMC	EMI	Compliance with EN55022 Class B
	EMS	Compliance with EN55035

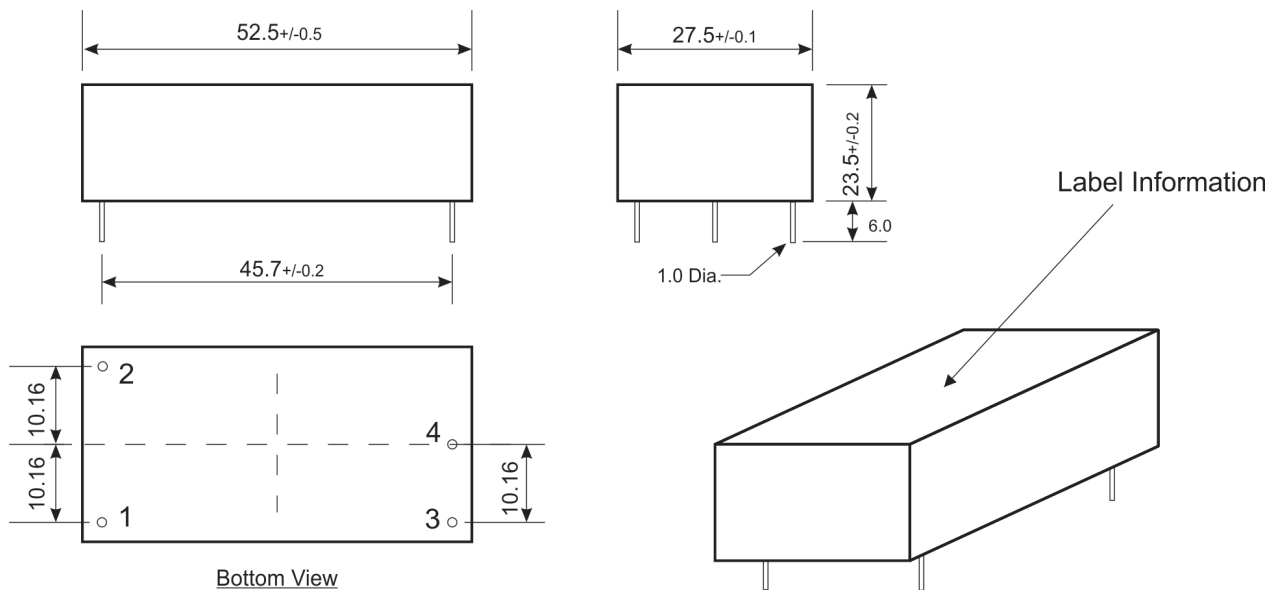
Please contact Vigortronix for any enquiries. Products can be altered to suit custom requirements.
 The information contained in this document is subject to change without notice.

Schematic Diagram



Notes:

Mechanical Layout



No.	Pin	Function
1	L	AC Input Line
2	N	AC Input Neutral
3	+V	DC Output +
4	-V	DC Output -

Recommended PCB
Hole size: 1.2mm Dia.

Unit weight: 60g

Please contact Vigortronix for any enquiries. Products can be altered to suit custom requirements.
The information contained in this document is subject to change without notice.

Vigortronix, 16 De Havilland Way, Witney, Oxfordshire, OX29 0YG, UK

Tel. +44 (0)1993 777570 Fax. +44 (0)1993 777580 Web. www.vigortronix.com E-mail: sales@vigortronix.com

Vigortronix is a trading name of Vigortronix (UK) Limited