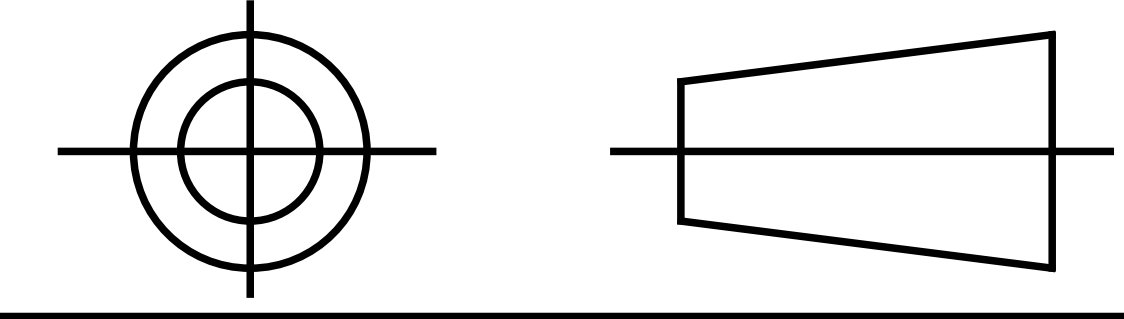


DRAWING No.
130059

SHT. 1
OF
SHTS.

THE COPYRIGHT OF THIS DRAWING IS RESERVED BY HELLERMANN TYTON. IT IS ISSUED ON CONDITION THAT IT IS NOT COPIED, REPRODUCED OR DISCLOSED TO A THIRD PARTY EITHER WHOLLY OR IN PART WITHOUT THE CONSENT IN WRITING OF HELLERMANN TYTON.

THIRD ANGLE PROJECTION

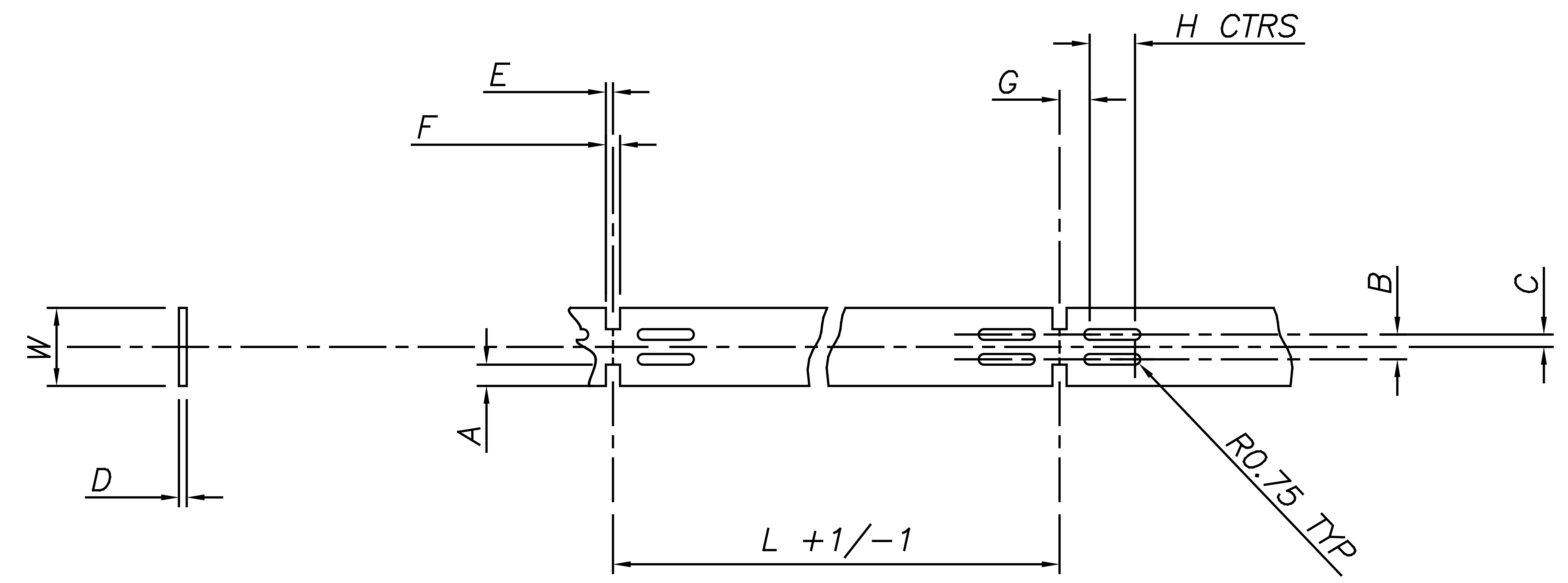


BS 8888

DO NOT SCALE
IF IN DOUBT ASK

LABORATORY
REL. INSP.

TIPS
AREA



PART No.		$W^{+0.1}_{-0.5}$	$A \pm 1$	$B \pm 0.5$	$C \pm 0.25$	$D \pm 0.1$	$E \pm 0.25$	$F \pm 0.5$	$G \text{ NOM.}$	$H \text{ NOM.}$
TIPTAG11**x***	TTAGMC11**x***	11	3.0	3.5	1.75	1.0	1.0	2.0	4.25	6.4
TIPTAG15**x***	TTAGMC15**x***	15	2.0	5.0	2.5	1.0	1.0	2.0	4.25	6.4
TIPTAG25**x***	TTAGMC25**x***	26	2.5	15.0	7.5	1.0	1.0	2.0	4.25	6.4
TIPTAG40**x***	TTAGMC40**x***	41	2.5	32.5	16.25	1.0	1.0	2.0	4.25	6.4

13	C 568	DC	24/6/19
12	C 551	CM	04/04/17
11	C 542	GL	27/05/16
10	C 521	GB	11/03/13
9	C 495	DC	22/06/10
ISSUE	NOTE No.	DRAWN	DATE

HellermannTyton

William Prance Road,
Plymouth International Med. & Tech. Park,
Plymouth, PL6 5WR
Tel ++44 (0) 1752 701261
Fax ++44 (0) 1752 790058

NAME	GB	SCALE	
DATE	11/03/2013	DIMS IN	mm.
TITLE	TIPTAGS		

MATERIAL	A3	SHT. 1
POLYOLEFIN	ORIGINAL SHEET SIZE 420mm x 297mm	OF
PART No.	DRAWING No.	SHTS
TIPTAG/TTAGMC	130059	