

## General Specifications

Motor Type: DC Brushless Motor

Motor Protection: Auto Restart/Polarity Protection

Motor withstands reverse connection for positive and negative leads.

Insulation Resistance:

10M  $\Omega$  or over with a DC500V Megger

Dielectric Withstand Voltage:

AC 700V 1s or 500V 1min

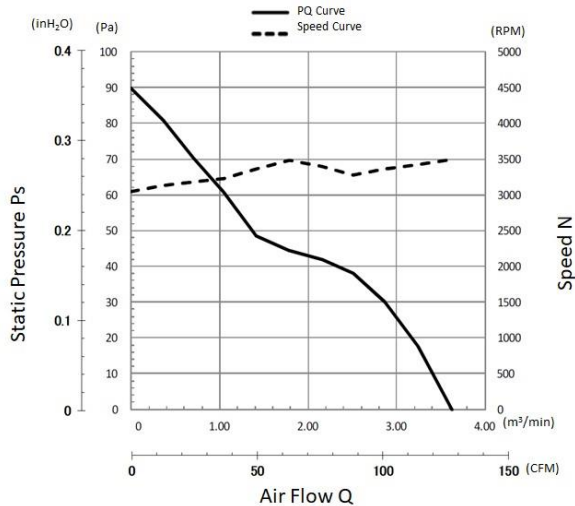
Allowable Ambient Temperature Range:

-10°C ~ +60°C (Operating)

-40°C ~ +70°C (Storage)

(non-condensing environment)

## Characteristics Curves



## PWM Benefits & Applications

### PWM Benefits

- Increased Life Expectancy
- Energy Saving
- Lower Vibration
- Lower Noise
- Current Spike Prevention

### PWM Applications

- Routers
- Switches
- Storage
- Data Centers
- Optical Repeaters
- Broadcast Equipment
- Inverters
- UPS
- Battery Chargers
- Fuel Cells
- Industrial Power Supplies
- Welders
- Plasma Cutters
- Instrumentation
- Test Equipment
- Enclosures and more

- Customized fan performances at multiple operating points.
- Peak efficiency resulting in lower total ownership costs.
- Cost effective and better reliability.

## Life Expectancy L10

60°C 40,000 Hours

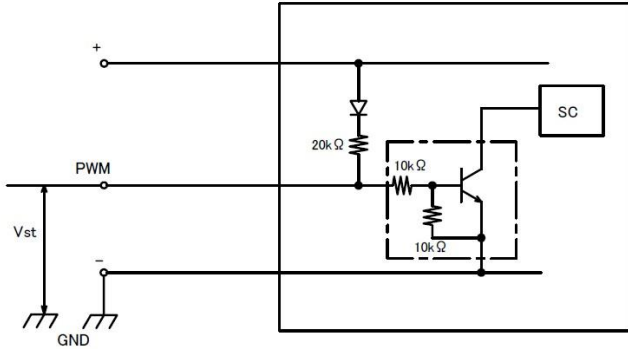
## Specifications

MODEL	Rated Voltage	Operating Voltage	Current		Input Power		Speed	Max. Air Flow		Max. Static Pressure		Noise	Mass
	(V)	(V)	Avg	Max	Avg	Max		(CFM) <sup>*1</sup>	(m <sup>3</sup> /min) <sup>*1</sup>	(inH <sub>2</sub> O) <sup>*1</sup>	(Pa) <sup>*1</sup>		
	(V)	(V)	(A) <sup>*1</sup>	(A) <sup>*1</sup>	(W) <sup>*1</sup>	(W) <sup>*1</sup>	(min <sup>-1</sup> ) <sup>*1</sup>	(CFM) <sup>*1</sup>	(m <sup>3</sup> /min) <sup>*1</sup>	(inH <sub>2</sub> O) <sup>*1</sup>	(Pa) <sup>*1</sup>	(dB) <sup>*1</sup>	(g)
11925SA-12R-EUD-1	12	7.0~13.2	0.62	0.86	7.44	10.32	3500	128.2	3.63	0.36	89	47.0	165

\*1: Maximum Values in Free Air

## PWM Specifications

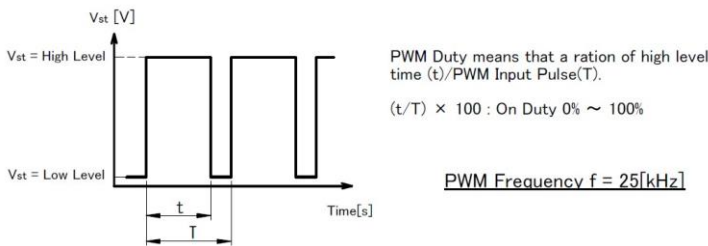
### PWM CONTROL CONNECTION



#### 1. PWM Control

- V<sub>st</sub> = Low Level (0V~0.4V) → Stop (On Duty 0%)
- V<sub>st</sub> = High Level (4.0V~5.0V) → Full Speed (On Duty 100%)
- V<sub>st</sub> = Open → Full Speed

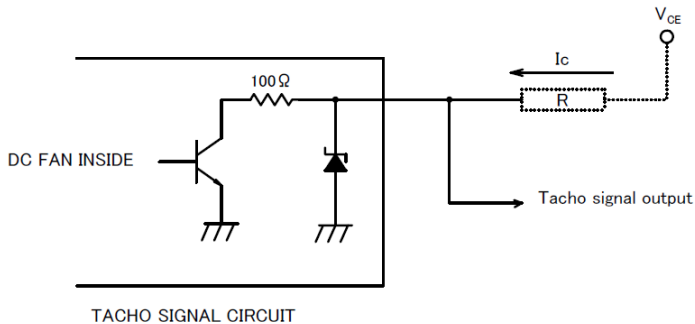
#### 2. PWM Duty & PWM Input Pulse



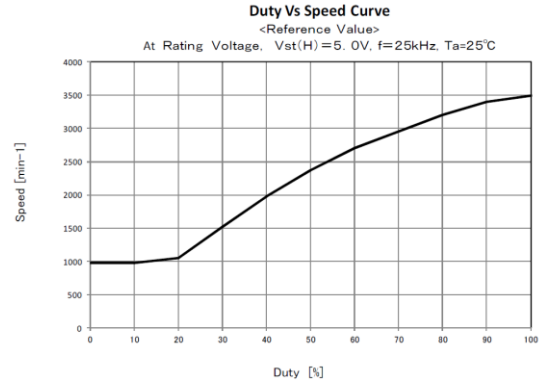
## TACHO Specifications

### TACHOMETER SIGNAL

1. OUTPUT CIRCUIT : OPEN COLLECTOR
2. SPECIFICATION
  - Ta=25°C
  - Absolute Maximum Ratings at Ta=25°C
  - V<sub>CE</sub> max : +15V
  - I<sub>c</sub> max : 5mA [V<sub>CE(sat)</sub>max = 1.0V]



## PWM Characteristics Curve



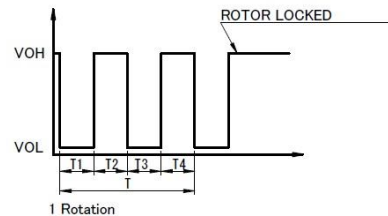
#### 3. The condition for PWM control are as follows.

- When you use this under PWM control, always be sure the motor's operation under practical mounting state. Fan motor may not start up caused by PWM control at very low speed condition.
- To run at Rating Voltage.

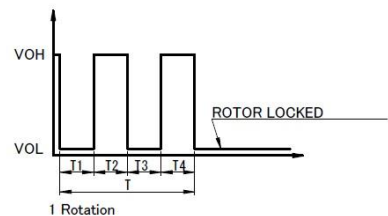
#### 3. OUTPUT WAVEFORM : AT RATED VOLTAGE

#### 4. OUTPUT SIGNAL VOLTAGE

##### 3-1 Case-1



##### 3-2 Case-2

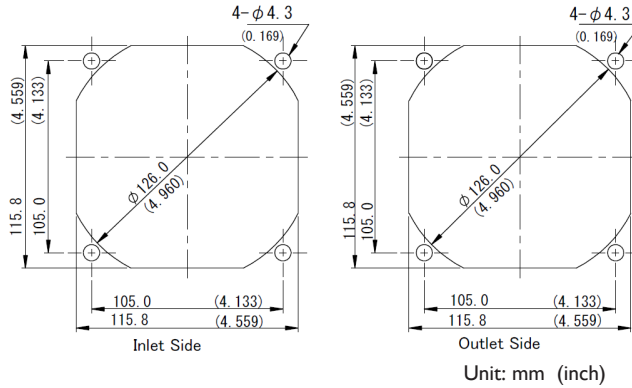


- 1) When the rotor is locked at VOH position of signal, signal keeps VOH position.
- 2) When the rotor is locked at VOL position of signal, signal keeps VOL position.
- 3) T=T1+T2+T3+T4=60/m=1 rotation

m : min-1

Tach Duty Cycle=50%±10%

## Panel Cut-Outs

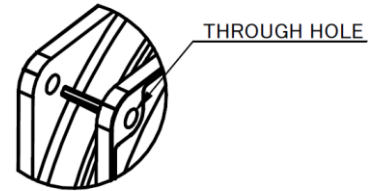
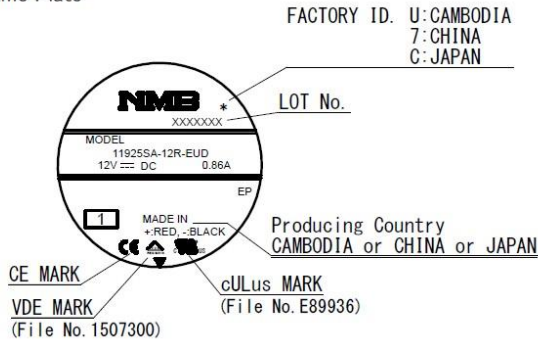


## Materials

- Casing : Plastic (Black UL94V-0)
- Impeller : Plastic (Black UL94V-0)
- Bearing : Ball Bearing
- Lead Wire : UL3385 AWG26
- (+) : Red (-) : Black
- PWM : Brown Tach : White

## Outline

Name Plate



FLANGE TYPE

