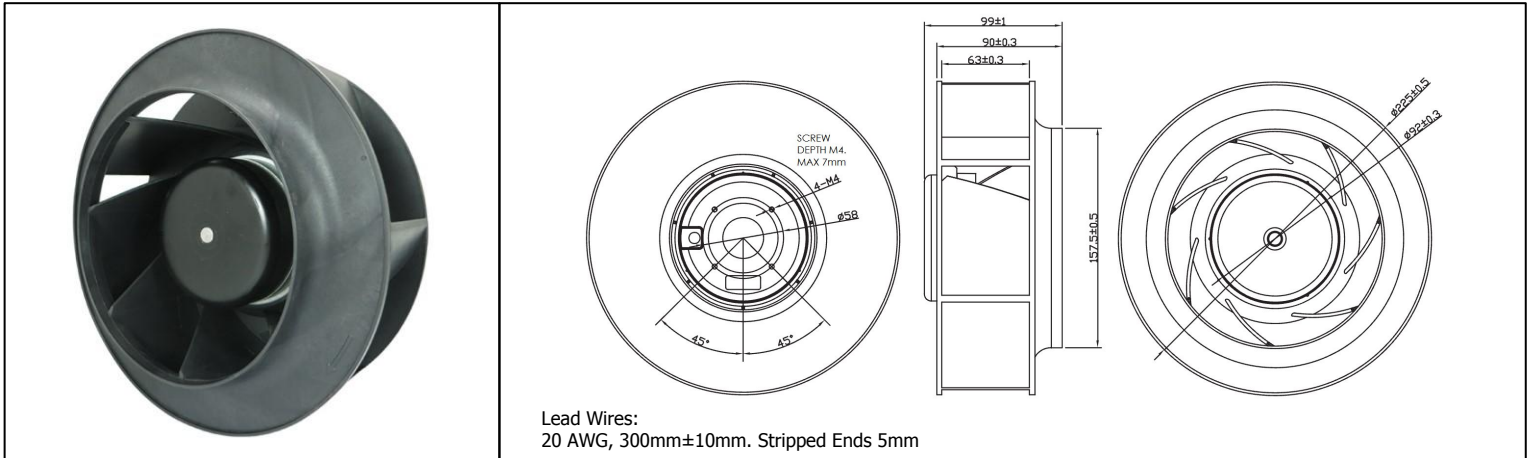


ODB22599 Series

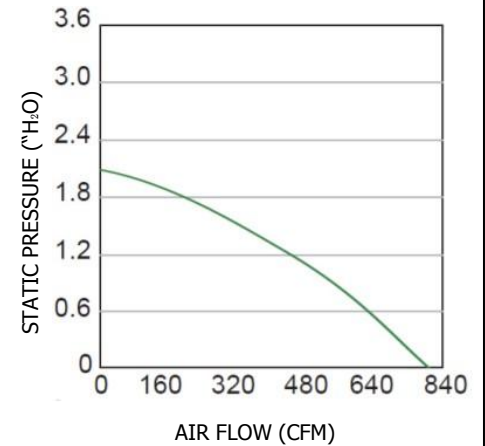


DC Motorized Impeller, 24V, 48V
225x99mm (8.85"x3.90")

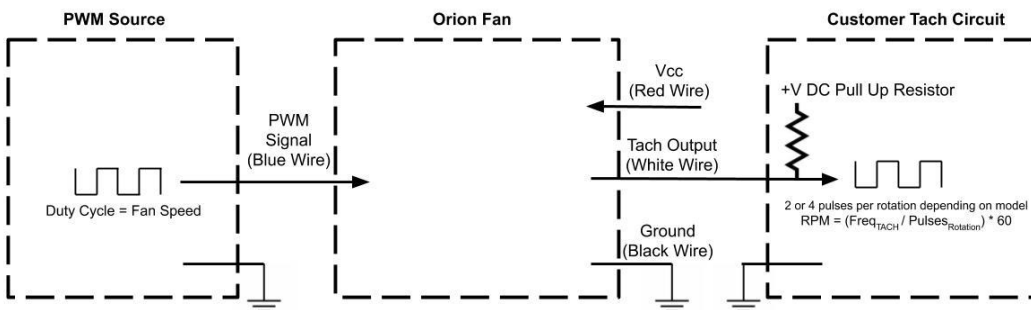


Lead Wires:
20 AWG, 300mm±10mm. Stripped Ends 5mm

Frame	Die Cast Aluminum	Operating Temperature -10°C ~ +60°C
Impeller	PBT, UL94 V-0 plastic	Storage Temperature -40°C ~ +75°C
Connection	4x Lead wires*, 20 AWG	Life Expectancy 50,000 hours (L10 at 25°C)
Motor	Brushless DC, Electronically Protected, Polarity Protected	Other Available Options Alarm Other Speeds Available
Bearing System	Dual Ball Bearings	*Wire Lead Colors: Red (DC+), Black (DC-), White (Tach Out), Blue (PWM Input)
Dielectric Strength	500VAC/min < 1mA	Weight: 3.31 lbs m0
Insulation Resistance	10M ohm between leadwires and frame (500 VDC)	



Part Number	Rated Voltage	Rated Power	Nominal Current	Rated Speed (RPM)	Airflow (CFM)	Noise Level (dB)	Max. Static Pressure
ODB22599-24HB10A	24 VDC	110.4 W	4.6 A	2500	835	55	2.05" H ₂ O
ODB22599-48HB10A	48 VDC	110.4 W	2.3 A	2500	835	55	2.05" H ₂ O



PWM Low Voltage: <0.5V
 PWM High Voltage: >2.6V
 PWM High Voltage Max: ≤12V
 PWM Max Sink Current: 8mA
 PWM Frequency Range: 100Hz-100KHz
 PWM Typical Frequency: 25KHz
 RPM at 0% Duty Cycle: 0 RPM
 RPM will be full speed if PWM input is disconnected.

Tach Max Voltage = 24V
 Tach Max Current = 5mA
 Tach Low Voltage = 0.5V
 Tach Pulses per rotation = 2