



Air moving solutions made simple



AC Fans
DC Fans



AC Blowers
DC Blowers



AC Impellers
DC Impellers



AC Motors



Accessories

Search

Part/Model #
Stock Check
Cross-Reference
Keyword

More Products

- Heat Sinks
- Fan Accessories
- Engineering Tools
- Airflow Calculator
- Thermal Calculator
- Unit Conversions
- Application Notes
- Custom Solutions
- Company Info
- Contact Info
- Technical Capability
- Certifications
- Terms & Conditions
- Employment Ops

Gateway Online

Phone: 858.348.6200 FAX: 858.566.4577

Distributors

Find a Rep

Contact Us

Sprite - SD12K3-E2 - 031439 - No
 (Family) (Model) (Part #) (In Stock)

Electrical Specifications

Operating Voltage:	12 Volts
Voltage Range:	6 - 14 Volts
Power Supply:	12.0 Watts
Line Current:	1.00 Amps
Locked Rotor Current	5.00 Amps
Nominal Speed:	6400 RPM

Mechanical Specifications

Dimensions:	3.1 x 3.1 x 1.7 in
Weight	18.0 oz
Max Airflow @ 0 in H₂O	50.0 CFM
Max Pressure @ 0 CFM	0.256 in H₂O
Noise	n/a

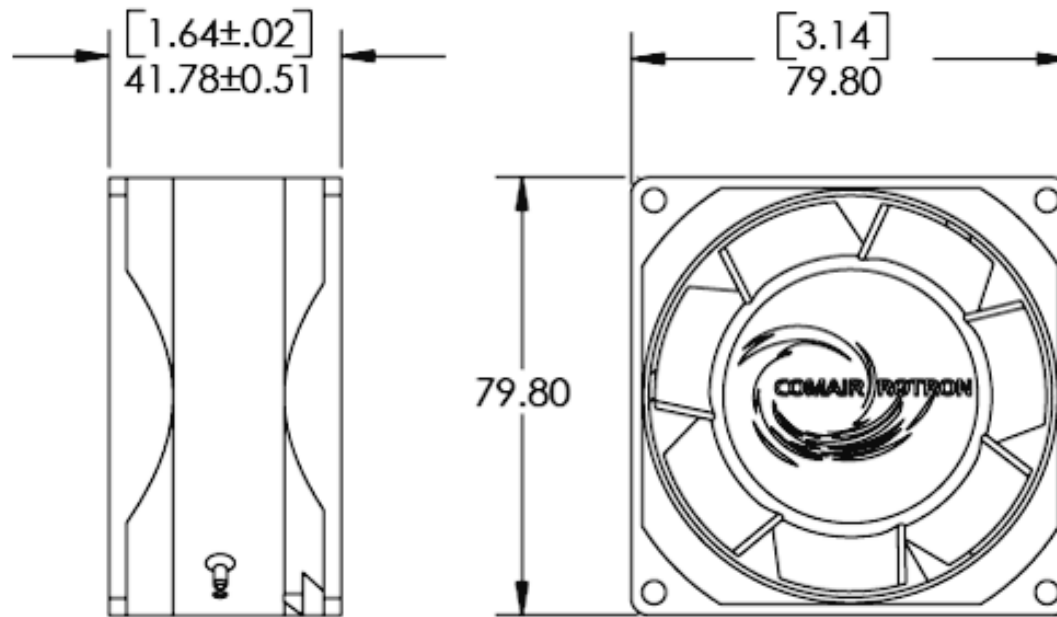


Detailed Drawing



Printer-Friendly Datasheet

Mechanical Drawing



Fan Performance Curve

Fan Configuration Options

Sprite - **SD12K3-E2** - **031439** - **No**
 (Family) (Model) (Part #) (In Stock)

Fan Speed Options	Fan Bearing Options	Fan Airflow Direction Options	Fan Termination Options
High Speed (6400 RPM)	Ball Bearings	Flow L (CW Rotation)	Leads
Full Speed (3500 RPM)	Sleeve Bearings	Flow R (CCW Rotation)	Terminals
3/4 Speed (2600 RPM)			
1/2 Speed (1700 RPM)			

Fan Monitoring Options

No Fan Monitoring Options Required

Add Tachometer (1 pulses per revolution.)

Add Fan Performance Sensor (FPS)

Fan Speed Control Options

Add ThermaPro-V Fan Speed Control

Environmental Protection Options

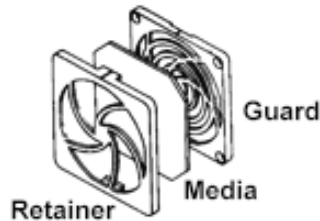
Add Enviroshield Environmental Protection

Accessories (Click on part number for detailed drawing.)

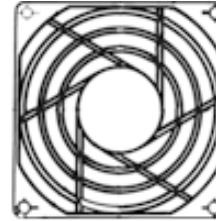
571064
Plug and Cord



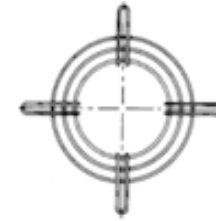
554141
Filter Guard Assembly



550648
Finger Guard



476143
Finger Guard



Comair Rotron, Inc.

Phone: 858.348.6200

FAX: 858.566.4577

sales@comairrotron.com

ThermaFlo, Inc.

Phone: 972.312.8609

FAX: 972.312.8617

info@thermaflo.com

Comair Rotron Europe, Ltd.

Phone: +44.1527.520525

FAX: +44.1527.520565

saleseurope@comairrotron.com

Comair Rotron Fan Company Ltd.

Phone: +86.21.52260581

FAX: +86.21.52260597

salesasia@comairrotron.com