

# DIN Rail Mount Solid State Relay Module

## Single Channel DC Output

**multicomp** PRO

**RoHS  
Compliant**



### Description

This is a single channel din-rail mount module with a SSR of max load current at 20A. Control voltage is 3 ~ 10V DC or 10 ~ 28V DC and dielectric strength is at 2500V AC. Load voltage is 60V DC and 100V DC. Load current is 10A and 20A.

### Features

- Load Current: 10A and 20A
- Standard 35mm DIN Rail
- DC Control
- LED Indication
- Dielectric Strength: 2500V ACrms

### Application

Suitable for control and isolation between control signal and high current as interface. It is widely used in industrial automations such as DC motor, DC power supply and all kinds of electromagnetic devices.

### Technical Specification

Input Circuit		
Control Voltage Range		3 ~ 10V DC
		10 ~ 28V DC
Must Turn-On Voltage		3V DC
		10V DC
Must Turn-Off Voltage		1V DC
Maximum Input Current		25mA
Load Voltage Range	60V DC	0 ~ 60V DC
	100V DC	0 ~ 100V DC
Transient Over Voltage	60V DC	60Vpk
	100V DC	100Vpk
Load Current Range	10A	0.002 ~ 10A
	20A	0.002 ~ 20A
Maximum Turn-On Time		5ms
Maximum Turn-Off Time		0.3ms
Maximum Surge Current (@10 ms)	10A	50A
	20A	100A
Maximum Off-State Leakage Current [@ Rated Voltage]		0.1mA
Maximum On-State Resistance	10A	38mΩ
	20A	10mΩ

Newark.com/multicomp-pro  
Farnell.com/multicomp-pro  
Element14.com/multicomp-pro

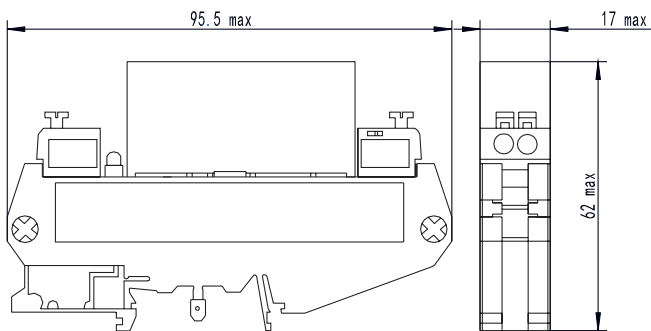
**multicomp** PRO

# DIN Rail Mount Solid State Relay Module Single Channel DC Output

**multicomp** PRO

General Information	
Dielectric Strength Input/Output	2500Vrms
Insulation Resistance Input/Output	1000MΩ
Ambient Operating Temperature Range	-30°C ~ +80°C
Ambient Storage Temperature Range	-30°C ~ +100°C
Weight (Typical)	55g

## Installation Drawing

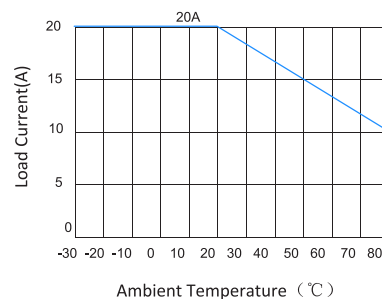
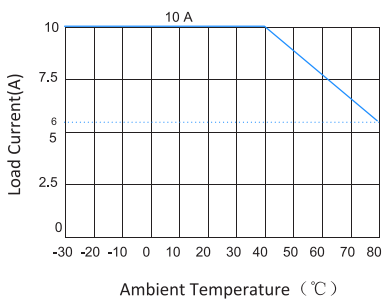


Dimensions : Millimetres

## Wiring Diagram



## Thermal Curve



Newark.com/multicomp-pro  
Farnell.com/multicomp-pro  
Element14.com/multicomp-pro

**multicomp** PRO

# DIN Rail Mount Solid State Relay Module Single Channel DC Output



## Part Number Table

Description	Part Number
SSR Module, Din Rail Mount, 1-CH, 10A, 100V DC, 10-28V DC	MC002269
SSR Module, Din Rail Mount, 1-CH, 20A, 60V DC, 10-28V DC	MC002270
SSR Module, Din Rail Mount, 1-CH, 20A, 60V DC, 3-10V DC	MC002271

**Important Notice :** This data sheet and its contents (the "Information") belong to the members of the AVNET group of companies (the "Group") or are licensed to it. No licence is granted for the use of it other than for information purposes in connection with the products to which it relates. No licence of any intellectual property rights is granted. The Information is subject to change without notice and replaces all data sheets previously supplied. The Information supplied is believed to be accurate but the Group assumes no responsibility for its accuracy or completeness, any error in or omission from it or for any use made of it. Users of this data sheet should check for themselves the Information and the suitability of the products for their purpose and not make any assumptions based on information included or omitted. Liability for loss or damage resulting from any reliance on the Information or use of it (including liability resulting from negligence or where the Group was aware of the possibility of such loss or damage arising) is excluded. This will not operate to limit or restrict the Group's liability for death or personal injury resulting from its negligence. Multicomp Pro is the registered trademark of Premier Farnell Limited 2019.

Newark.com/multicomp-pro  
Farnell.com/multicomp-pro  
Element14.com/multicomp-pro

