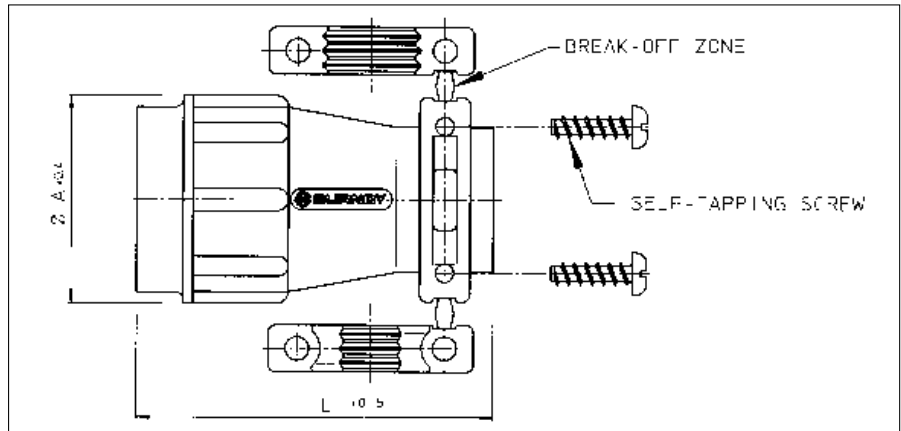


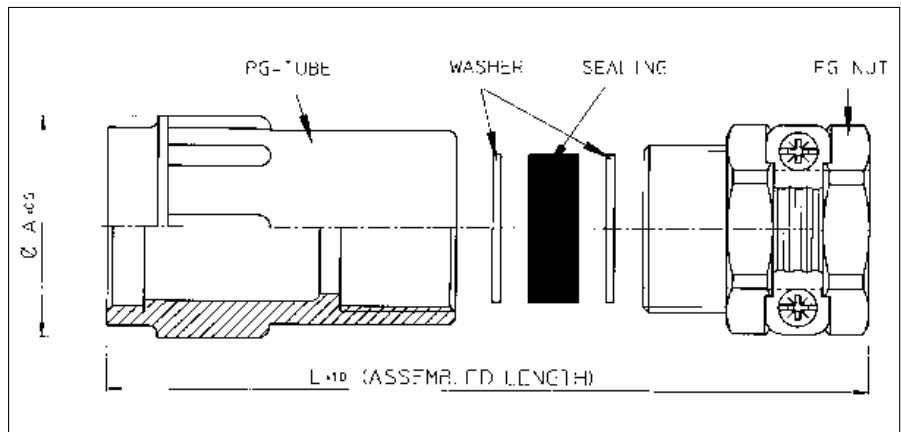


Plastic cable clamp with strain relief (UTG--AC)



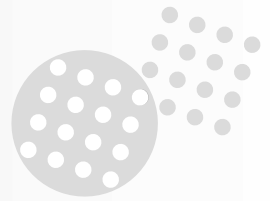
Part number	Shell size	Cable range \varnothing	$\varnothing A_{\pm 0.4}$	$L_{\pm 0.5}$
UTG10AC	10	3.0 - 8.7	21.0	40.0
UTG12AC	12	3.0 - 12.8	24.0	40.0
UTG14AC	14	4.0 - 13.8	27.0	46.0
UTG16AC	16	5.0 - 17.0	30.2	46.0
UTG18AC	18	5.0 - 19.0	33.3	50.0
UTG20AC	20	5.0 - 21.0	36.5	55.0
UTG22AC	22	5.0 - 23.0	39.7	60.0
UTG24AC	24	8.0 - 27.0	42.9	65.0

Plastic cable clamp with strain relief nut for waterprotected (IP65) applications (UTG--PG)

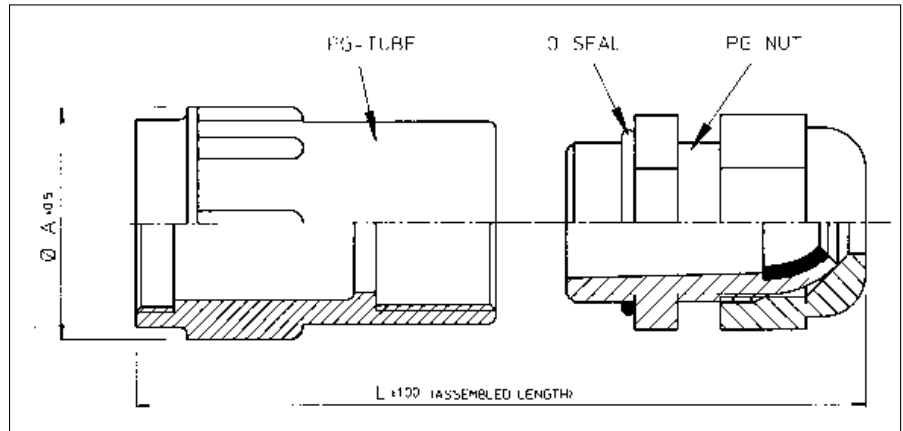


Part number	Shell size	Sealing* outer dia x inner dia's	$L_{\pm 1}$	$A_{\pm 0.5}$
UTG10PG	10	13.5 x 5 x 8	54	21.0
UTG12PG	12	16 x 7 x 10.5 x 13 x 16	57	24.0
UTG14PG	14	18.5 x 7 x 10.5 x 13 x 16	62	27.0
UTG16PG	16	20.5 x 8 x 10.5 x 13 x 16	68	30.2
UTG18PG	18	20.5 x 8 x 10.5 x 13 x 16	71	33.3
UTG20PG	20	26 x 11 x 15 x 18 x 22	82	36.5
UTG22PG	22	26 x 11 x 15 x 18 x 22	88	39.7
UTG24PG	24	35 x 19 x 23 x 27 x 31	103	42.9

*In order to accommodate different cable dia's, the sealing exists of different layers which can be pulled out easily.

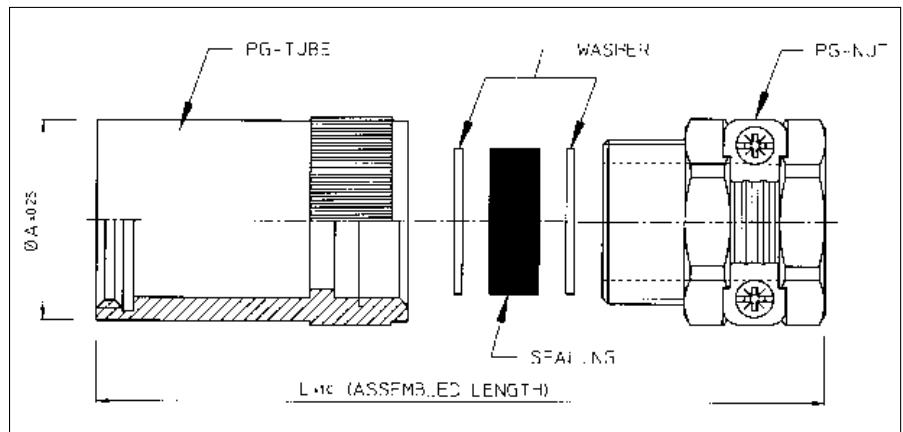


Plastic cable clamp with strain relief nut for waterprotected (IP67) applications (UTG--ST)



Part number	Shell size	Cable range	Dia. A ± 0.5	L ± 1
UTG10ST	10	2 - 6	21.0	64
UTG12ST	12	3 - 7	24.0	64
UTG14ST	14	6 - 9	27.0	69
UTG16ST	16	7 - 12	30.2	72
UTG18ST	18		33.3	76
UTG20ST	20	9 - 16	36.5	80
UTG22ST	22		39.7	86
UTG24ST	24	13 - 20	42.9	91

Metal cable clamp with strain relief nut for waterprotected applications (UT0--PGT)



Part number	Shell size	Sealing* outer dia x inner dia's	L ± 1	A ± 0.25
UT010PGT	10	13.5 x 5 x 8	53	16.7
UT012PGT	12	16 x 7 x 10.5 x 13 x 16	57	20.1
UT014PGT	14	18.5 x 7 x 10.5 x 13 x 16	62	23.0
UT016PGT	16	20.5 x 8 x 10.5 x 13 x 16	68	26.2
UT018PGT	18	20.5 x 8 x 10.5 x 13 x 16	71	29.6
UT020PGT	20	26 x 11 x 15 x 18 x 22	82	32.5
UT022PGT	22	26 x 11 x 15 x 18 x 22	88	35.7
UT024PGT	24	35 x 19 x 23 x 27 x 31	103	39.2

*In order to accommodate different cable dia's, the sealing exists of different layers which can be pulled out easily.