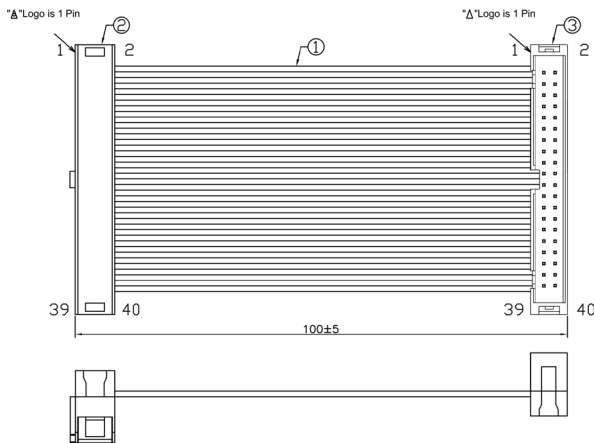


# 2.54mm Pitch IDC Ribbon Flat Cable Assembly

**multicomp** PRO

**RoHS  
Compliant**



20	Brown	20
19	Red	19
18	Orange	18
17	Yellow	17
16	Green	16
15	Blue	15
14	Purple	14
13	Gray	13
12	White	12
11	Black	11
10	Brown	10
9	Red	9
8	Orange	8
7	Yellow	7
6	Green	6
5	Blue	5
4	Purple	4
3	Gray	3
2	White	2
1	Black	1
P1	Colour	P2
<b>PIN Assignment</b>		

40	Brown	40
39	Red	39
38	Orange	38
37	Yellow	37
36	Green	36
35	Blue	35
34	Purple	34
33	Gray	33
32	White	32
31	Black	31
30	Brown	30
29	Red	29
28	Orange	28
27	Yellow	27
26	Green	26
25	Blue	25
24	Purple	24
23	Gray	23
22	White	22
21	Black	21
P1	Colour	P2
<b>PIN Assignment</b>		

No	Description
1	Flat Cable UL2651 28AWG Pitch:1.27mm TS 40Pin Colour:4-(Brown, Red, Orange, Yellow, Green, Blue, Purple, Gray, White, Black)
2	I.D.C Socket 40 Pin Pitch:2.54mm, G/F,W/Bupm, Black
3	Pitch 2.54mm 40 Pin Box Header

## Part Number Table

Description	Part Number
IDC Ribbon / Flat Cable Assembly, 2.54mm, 40 Pins, 100mm	MP005988

**Important Notice :** This data sheet and its contents (the "Information") belong to the members of the AVNET group of companies (the "Group") or are licensed to it. No licence is granted for the use of it other than for information purposes in connection with the products to which it relates. No licence of any intellectual property rights is granted. The Information is subject to change without notice and replaces all data sheets previously supplied. The Information supplied is believed to be accurate but the Group assumes no responsibility for its accuracy or completeness, any error in or omission from it or for any use made of it. Users of this data sheet should check for themselves the Information and the suitability of the products for their purpose and not make any assumptions based on information included or omitted. Liability for loss or damage resulting from any reliance on the Information or use of it (including liability resulting from negligence or where the Group was aware of the possibility of such loss or damage arising) is excluded. This will not operate to limit or restrict the Group's liability for death or personal injury resulting from its negligence. Multicomp Pro is the registered trademark of Premier Farnell Limited 2019.

Newark.com/multicomp-pro  
Farnell.com/multicomp-pro  
Element14.com/multicomp-pro

**multicomp** PRO