

Select Location

Enclosures **Enclosure search**

Solutions & Services

Products

Product card: EKUVT

Company info

News & Events

Contacts

Downloads



Sample photo

Product nbr: 3770554  
 Description: Mounting plate  
 Remarks:  
 Package: 10  
 Unit: PCS  
 Product group: ACCESSORIES  
 EAN: 6418074039804  
 SSTL number: 3421030  
 Electric No. Denmark: 8212007864  
 Electric No. Italy: 7590482  
 Electric No. Sweden: 2538313

**Support items:**

[Dimensional drawing \(mm\)](#)

[Cad-files \(registration needed\)](#)

**Dimensions:**

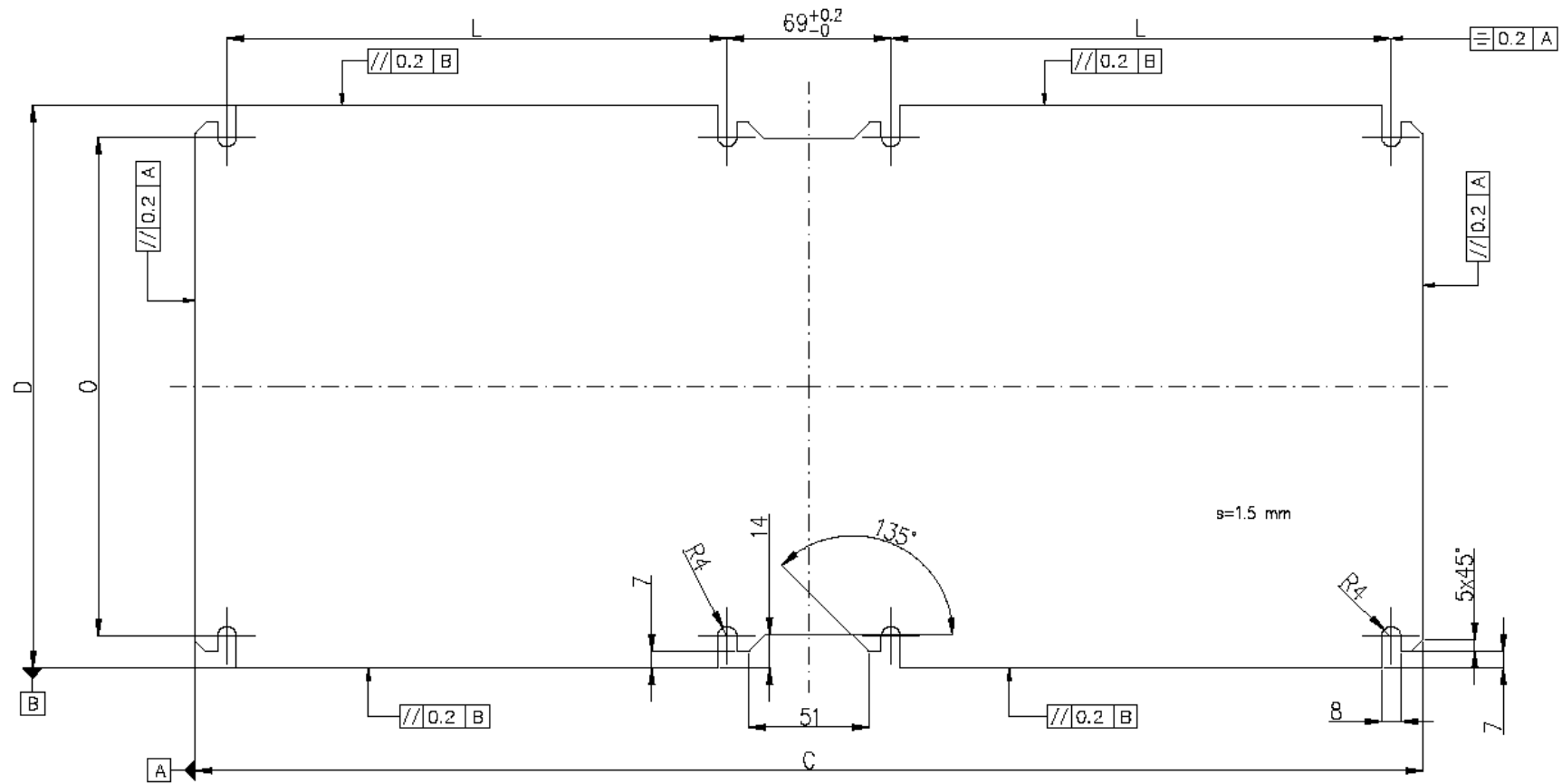
Length (mm): 518  
 Width (mm): 338  
 Length (inch): 20.3  
 Width (inch): 13.3

**Product is connected to following catalogs:**

Fibox Enclosures : SOLID : ACCESSORIES  
 Fibox Enclosures : EK : ACCESSORIES  
 Fibox Enclosures : EK : EKV  
 Fibox Enclosures : EK : EKW  
 Fibox Enclosures : ATEX : FEX  
 Fibox Enclosures : SOLID : PC/ABS 5638

**COPYRIGHT**

**LEGAL NOTICE**



LAJ/TYPE	C	D	L	O	Paino/Weight
EKTVT 1.5	518	238	$211 \pm 0.4$	$211^{0}_{-0.5}$	1365 g
EKUVT 1.5	518	338	$211 \pm 0.4$	$311^{0}_{-0.5}$	1956 g