

AC axial fan

Series 4000 N 119 x 119 x 38

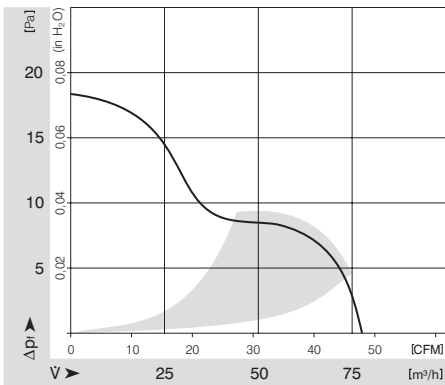


- **General description:** AC fan with external rotor shaded-pole motor.
- **Impeller material:** Metal
- **Housing material:** Metal

| Nominal data | | Voltage | Frequency | Air flow | Speed | Power consumption | Sound level | Sound pressure level | Ambient temperature | L10 service life at 40 °C | L10 service life at max. temp. | Weight |
|--------------|-------|---------|-----------|----------|-------|-------------------|-------------|----------------------|---------------------|---------------------------|--------------------------------|--------|
| Type | Motor | VAC | Hz | m³/h | 1/min | W | Bel | dB(A) | °C | h | h | kg |
| 4890 N | -- | 230 | 50 | 80 | 1550 | 11.0 | 4.0 | 25 | -10 .. 70 | 55000 | 27500 | 0.550 |

Subject to modification

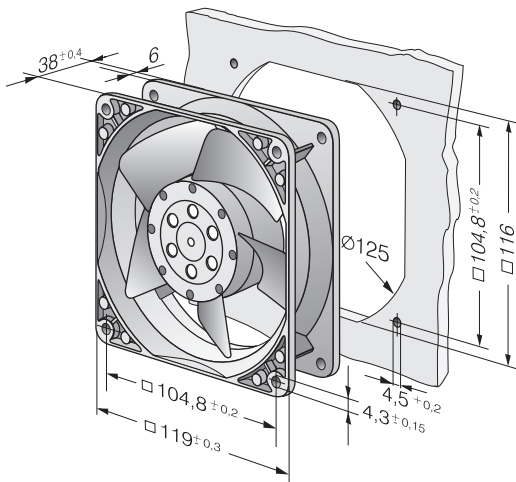
Characteristic: Pressure over air flow



AC axial fan

Series 4000 N 119 x 119 x 38

Specific drawing



Technical description

- **General description:** AC fan with external rotor shaded-pole motor.
- **Housing material:** Metal
- **Direction of rotation:** Right, looking at rotor
- **Electrical connection:** 2 flat plugs 3.0 x 0.5 mm. Housing with grounding lug for screw M4 and UNC.
- **Approvals:** VDE, CSA, UL, CE

- **Impeller material:** Metal
- **Bearings:** Sintec sleeve bearing system
- **Direction of air flow:** Air exhaust over bars
- **Motor protection:** Protected from overload using impedance protection
- **Option:** Variants optionally available with reinforced mounting flanges and customizable single-strand wiring.

Contact

ebm-papst St. Georgen GmbH & Co. KG

Hermann-Papst-Straße 1
D-78112 St. Georgen
Phone +49 (0) 7724 / 81-0
Fax +49 (0) 7724 / 81-1309
info2@de.ebmpapst.com
www.ebmpapst.com