

Description

The AP7361E is a 1A, adjustable and fixed output voltage, ultra-low dropout linear regulator with enable. The device includes pass element, error amplifier, band-gap reference, current limit and thermal shutdown circuitry. The device is turned on when EN pin is set to logic high level.

The characteristics of the low dropout voltage and low quiescent current make it suitable for low to medium power applications, for example, laptop computers, audio and video applications and battery powered devices. The typical quiescent current is approximately 60µA. Built-in current-limit, thermal-shutdown and power good functions prevent IC from damage in fault conditions.

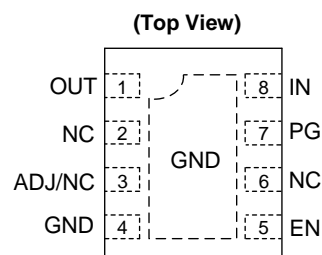
The AP7361E is available in U-DFN3030-8 (Type E) package.

Features

- Wide Input Voltage Range: 2.2V to 6.0V
- Output Voltage Accuracy: ±1%
- Very Low Dropout Voltage (3.3V): 360mV at 1A Typical
- Low Quiescent Current (I_q): 60µA Typical
- Adjustable Output Voltage Range: 0.8V to 5.0V
- Fixed Output Options: 1.0V, 1.2V, 1.5V, 1.8V, 2.5V, 2.8V and 3.3V
- High PSRR: 75dB @ 1kHz
- Current Limit: 1.5A
- Fold-Back Short Circuit Protection: 400mA
- Power-Good (PG) Output for Supply Monitoring and for Sequencing of Other Supplies
- Thermal Shutdown Protection
- Stable with MLCC, E-Cap, Tan-Cap or Solid Capacitor ≥ 2.2µF
- Ambient Temperature Range: -40°C to +85°C
- Available in "Green" Molding Compound (No Br, Sb)
- **Totally Lead-Free & Fully RoHS Compliant (Notes 1 & 2)**
- **Halogen and Antimony Free. "Green" Device (Note 3)**
- **For automotive applications requiring specific change control (i.e. parts qualified to AEC-Q100/101/200, PPAP capable, and manufactured in IATF 16949 certified facilities), please [contact us](mailto:contact@diodes.com) or your local Diodes representative. <https://www.diodes.com/quality/product-definitions/>**

- Notes:
1. No purposely added lead. Fully EU Directive 2002/95/EC (RoHS), 2011/65/EU (RoHS 2) & 2015/863/EU (RoHS 3) compliant.
 2. See <https://www.diodes.com/quality/lead-free/> for more information about Diodes Incorporated's definitions of Halogen- and Antimony-free, "Green" and Lead-free.
 3. Halogen- and Antimony-free "Green" products are defined as those which contain <900ppm bromine, <900ppm chlorine (<1500ppm total Br + Cl) and <1000ppm antimony compounds.

Pin Assignments

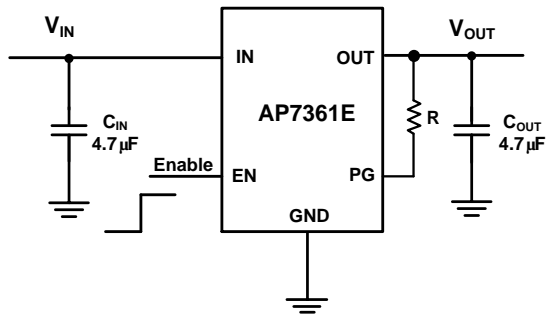


U-DFN3030-8 (Type E)

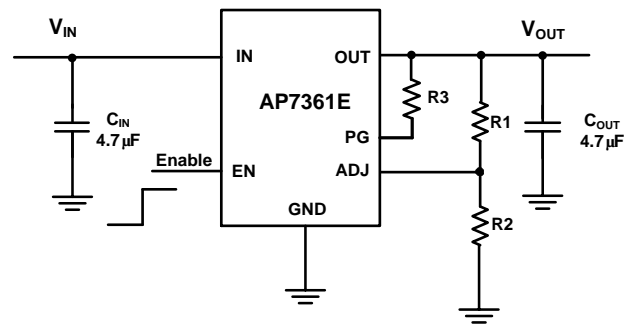
Applications

- LCD-TV, Monitor
- Set-Top-Box
- Home Electrical Appliances

Typical Applications Circuit



Fixed Version with EN

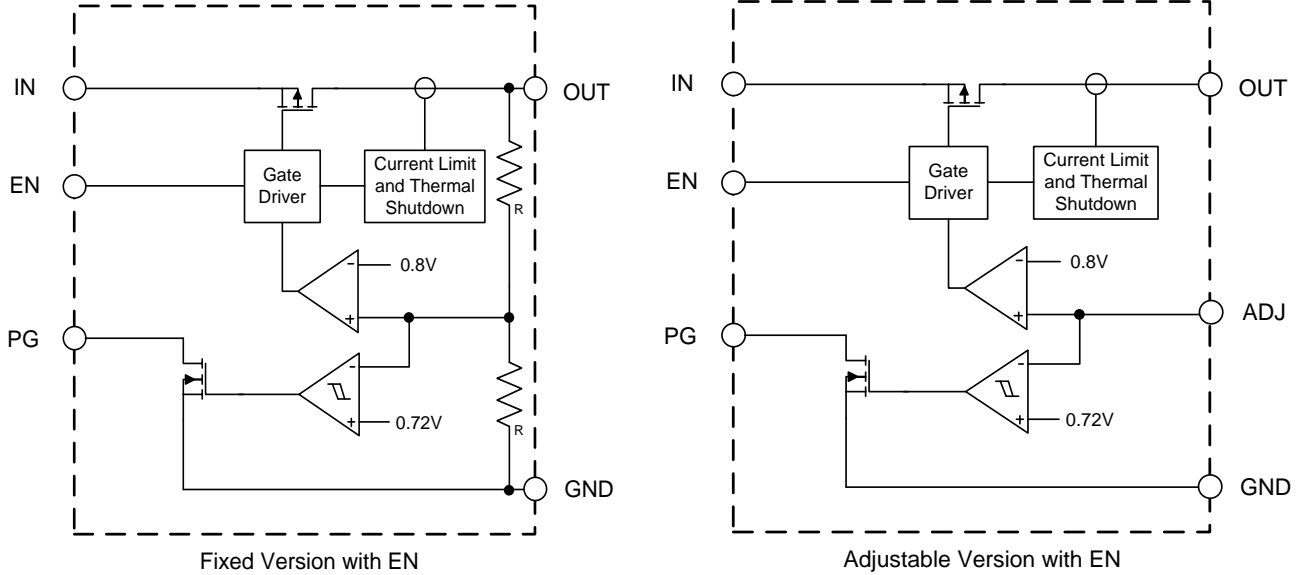


Adjustable Output

Pin Descriptions

Pin Number	Pin Name	Function
U-DFN3030-8 (Type E)		
1	OUT	The output of the regulator. Bypass to ground through at least 2.2µF ceramic capacitor. For improved AC load response a larger capacitor is recommended.
2, 6	NC	No connection
3	ADJ/NC	Adjustable voltage version only – a resistor divider from this pin to the OUT pin and ground sets the output voltage.
4	GND	Ground
5	EN	Enable input, active high
7	PG	Power-Good pin, open-drain output. When the V_{OUT} is below the PG threshold the PG pin is driven low; when the V_{OUT} exceeds the threshold, the PG pin goes into a high-impedance state. To use the PG pin, use a 10kΩ to 1MΩ pull-up resistor to pull it up to a supply of up to 6V, which can be higher than the input voltage.
8	IN	The input of the regulator. Bypass to ground through at least 1µF ceramic capacitor.

Functional Block Diagram



Absolute Maximum Ratings (@T_A = +25°C, unless otherwise specified.) (Note 4)

Symbol	Parameter	Rating	Unit
V _{IN}	Input Voltage	6.5	V
—	OUT, ADJ, EN Voltage	V _{IN} + 0.3	V
T _J	Operating Junction Temperature Range	-40 to +150	°C
T _{STG}	Storage Temperature Range	-65 to +150	°C
P _D	Power Dissipation	Internally limited by maximum junction temperature of +150°C	—
P _D	Power Dissipation	U-DFN3030-8 (Type E)	1700
ESD HBM	Human Body Model ESD Protection	> 2	kV
ESD CDM	Charge Device Model	±500	V

Note: 4. Stresses greater than the *Absolute Maximum Ratings* specified above can cause permanent damage to the device. These are stress ratings only; functional operation of the device at these or any other conditions exceeding those indicated in this specification is not implied. Device reliability can be affected by exposure to absolute maximum rating conditions for extended periods of time.

Recommended Operating Conditions (@T_A = +25°C, unless otherwise specified.)

Symbol	Parameter	Min	Max	Unit
V _{IN}	Input Voltage	2.2	6.0	V
V _{OUT}	Output Voltage	0.8	5.0	V
I _{OUT}	Output Current (Note 5)	0	1.0	A
T _A	Operating Ambient Temperature	-40	+85	°C

Note: 5. The device maintains a stable, regulated output voltage without a load current. When the output current is large, attention should be given to the limitation of the package power dissipation.

Electrical Characteristics (@T_A = +25°C, V_{IN} = V_{OUT} + 1V, C_{IN} = 4.7μF, C_{OUT} = 4.7μF, V_{EN} = V_{IN}, unless otherwise specified.)

Symbol	Parameter	Test Conditions	Min	Typ	Max	Unit	
V _{REF}	FB Reference Voltage, ADJ Pin	I _{OUT} = 10mA, T _A = +25°C	0.792	0.8	0.808	V	
I _{ADJ}	ADJ Pin Leakage Current	—	—	0.1	0.5	μA	
I _Q	Input Quiescent Current	Enabled, I _{OUT} = 0A	—	68	91	μA	
I _{SHDN}	Input Shutdown Current	V _{EN} = 0V, I _{OUT} = 0A	-1	0.05	1	μA	
V _{OUT}	Output Voltage Accuracy	I _{OUT} = 100mA, T _A = +25°C	1.0V ≤ V _{OUT} < 1.5V	V _{OUT} (s)- 0.015	V _{OUT} (s)	V _{OUT} (s)+ 0.015	V
			1.5V ≤ V _{OUT} ≤ 3.3V	V _{OUT} (s)* 0.99	V _{OUT} (s)	V _{OUT} (s)* 1.01	
$\frac{\Delta V_{OUT}}{\Delta V_{IN} \times V_{OUT}}$	Line Regulation	V _{IN} = V _{OUT} + 1V to 5.5V, I _{OUT} = 100mA	T _A = +25°C	—	0.01	0.1	%V
			-40°C ≤ T _A ≤ +85°C	—	—	0.2	
ΔV _{OUT} / V _{OUT}	Load Regulation	I _{OUT} from 1.0mA to 1A	1.2V < V _{OUT} ≤ 3.3V	-1.0	—	1.0	%
			1.0V ≤ V _{OUT} ≤ 1.2V	-1.5	—	1.5	%
V _{DROPOUT}	Dropout Voltage (Note 6)	I _{OUT} = 300mA	1.0V ≤ V _{OUT} < 1.1V	—	710	750	mV
			1.1V ≤ V _{OUT} < 1.2V	—	600	640	
			1.2V ≤ V _{OUT} < 1.3V	—	500	540	
			1.3V ≤ V _{OUT} < 1.4V	—	400	440	
			1.4V ≤ V _{OUT} < 1.5V	—	300	340	
			1.5V ≤ V _{OUT} < 2.6V	—	200	250	
			2.6V ≤ V _{OUT} ≤ 3.3V	—	90	140	
		I _{OUT} = 1A	1.0V ≤ V _{OUT} < 1.1V	—	840	—	
			1.1V ≤ V _{OUT} < 1.2V	—	780	—	
			1.2V ≤ V _{OUT} < 1.3V	—	710	—	
			1.3V ≤ V _{OUT} < 1.4V	—	660	—	
			1.4V ≤ V _{OUT} < 1.5V	—	610	—	
			1.5V ≤ V _{OUT} < 2.0V	—	570	—	
			2.0V ≤ V _{OUT} < 2.6V	—	440	—	
2.6V ≤ V _{OUT} ≤ 3.3V	—	340	—				
t _d	Output Voltage Turn On Delay Time	V _{IN} = V _{OUT} + 1V, V _{EN} High to V _{OUT} Rising 10%	—	50	—	μs	
t _{SS}	Output Voltage Ramp Up Time	V _{OUT} Rising 10% to 90%	—	200	—	μs	
t _{PG}	PG React Time	V _{OUT} 90% to PG Active	—	30	—	μs	
t _{PGF}	PG Off Deglitch Time	ADJ Falling to PG Low	—	3	—	μs	
		EN Goes Low to PG Low					
V _{PGR}	PG Rising Threshold	ADJ Rising	89	92	95	%	
V _{PGF}	PG Falling Threshold	ADJ Falling	79	82	85	%	
V _{PGS}	PG Sinking Voltage	V _{IN} = 3.3V, Sinking Current = 5mA	—	—	0.4	V	
V _{IL}	EN Input Logic Low Voltage	—	0	—	0.3	V	
V _{IH}	EN Input Logic High Voltage	—	1.0	—	V _{IN}	V	
REN _{PD}	EN Pull-Down Resistor	—	—	3.0	—	MΩ	
I _{EN}	EN Input Leakage Current	V _{IN} = 5.5V, V _{EN} = 0V	-0.1	—	0.1	μA	
R _{PD}	Output Discharge Resistor	V _{OL} = 1V	—	100	—	Ω	
I _{OUT}	Maximum Output Current	V _{IN} = V _{OUT} + 1V	1.0	—	—	A	
I _{LIMIT}	Current Limit	V _{IN} = V _{OUT} + 1V (V _{IN} MIN = 2.2V)	1.3	1.5	—	A	
I _{SHORT}	Short-Circuit Current	V _{IN} = V _{OUT} + 1V, Output Voltage < 15% V _{OUT}	—	400	—	mA	
PSRR	Power Supply Rejection Ratio (Note 7)	f = 1kHz, I _{OUT} = 100mA, V _{OUT} = 1.2V	—	75	—	dB	
		f = 10kHz, I _{OUT} = 100mA, V _{OUT} = 1.2V	—	55	—		

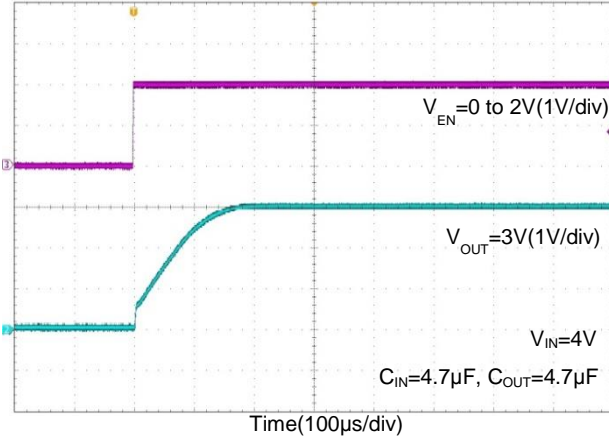
Electrical Characteristics (@T_A = +25°C, V_{IN} = V_{OUT} + 1V, C_{IN} = 4.7μF, C_{OUT} = 4.7μF, V_{EN} = V_{IN}, unless otherwise specified.)
(continued)

Symbol	Parameter	Test Conditions	Min	Typ	Max	Unit
t _{ST}	Start-Up Time	V _{OUT} = 3V, C _{OUT} = 2.2μF, R _L = 30Ω	—	150	—	μs
$\frac{\Delta V_{OUT}}{\Delta T_A \times V_{OUT}}$	Output Voltage Temperature Coefficient	I _{OUT} = 100mA, -40°C ≤ T _A ≤ +85°C	—	±100	—	ppm/°C
T _{SHDN}	Thermal Shutdown Threshold	—	—	+150	—	°C
T _{HYS}	Thermal Shutdown Hysteresis	—	—	+20	—	°C
θ _{JA}	Thermal Resistance Junction-to-Ambient	U-DFN3030-8 (Type E) (Note 8)	—	70	—	°C/W

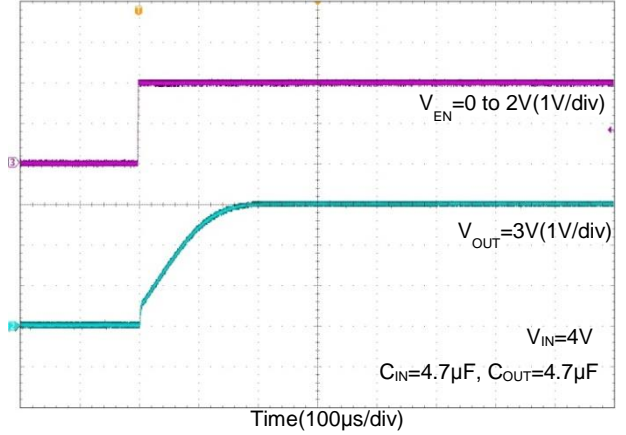
- Notes:
6. Dropout voltage is the voltage difference between the input and the output at which the output voltage drops 2% below its nominal value. This parameter only applies to output voltages above 1.2V since minimum V_{IN} = 2.2V.
 7. For V_{IN} ≥ 2.5V and V_{IN} = V_{OUT} + 1V. For V_{IN} < 2.5V, the PSRR performance may be reduced.
 8. Test condition: U-DFN3030-8 (Type E) device is mounted on 2" × 2", FR-4 substrate PCB, with minimum recommended pad on top layer and thermal vias to bottom layer ground plane.

Typical Characteristics

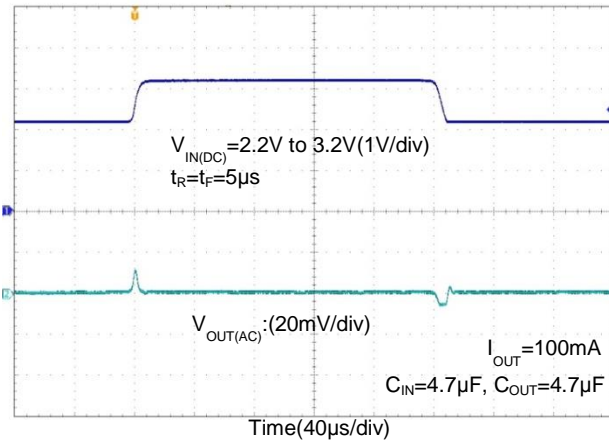
Start-up Time
 $V_{OUT}=3V @ I_{OUT}=50mA$



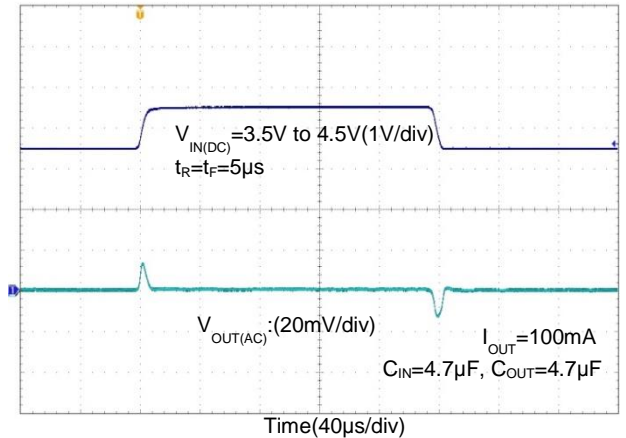
Start-up Time
 $V_{OUT}=3V @ I_{OUT}=100mA$



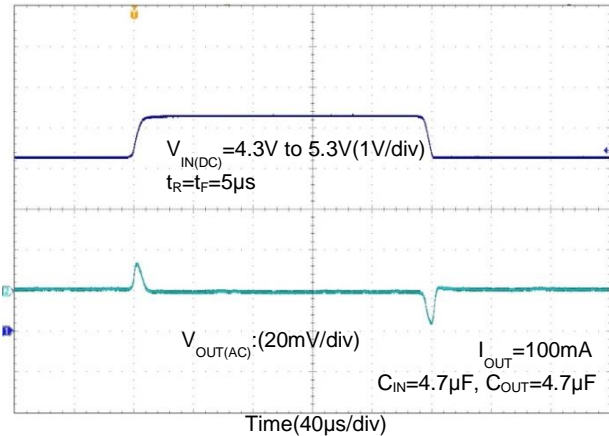
Line Transient Response
 $V_{OUT}=1.2V$



Line Transient Response
 $V_{OUT}=2.5V$

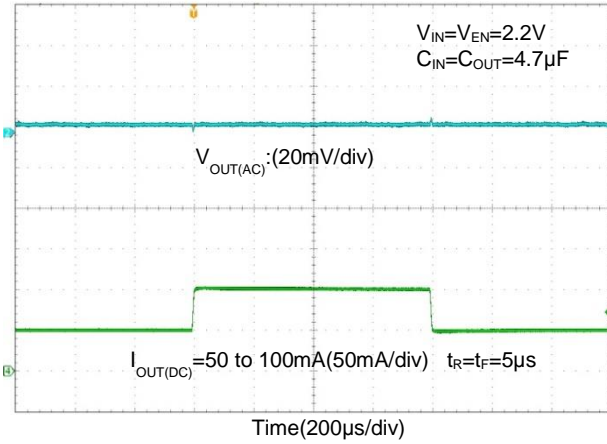


Line Transient Response
 $V_{OUT}=3.3V$

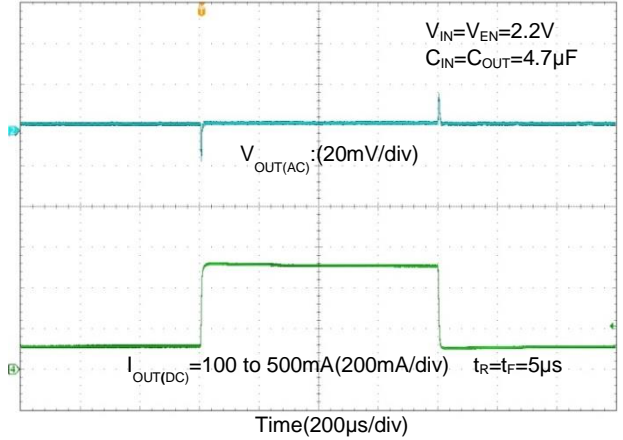


Typical Characteristics (continued)

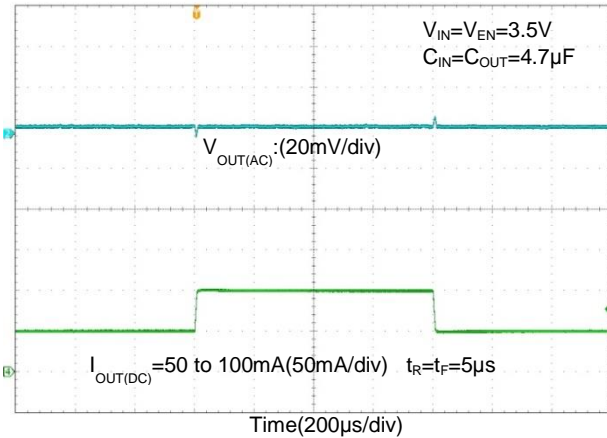
Load Transient Response
 $V_{OUT}=1.2V$



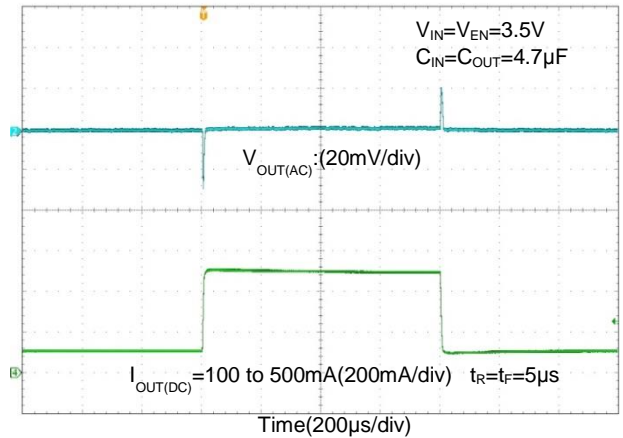
Load Transient Response
 $V_{OUT}=1.2V$



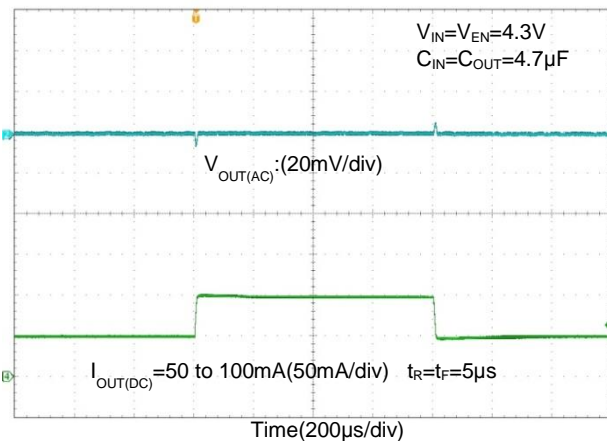
Load Transient Response
 $V_{OUT}=2.5V$



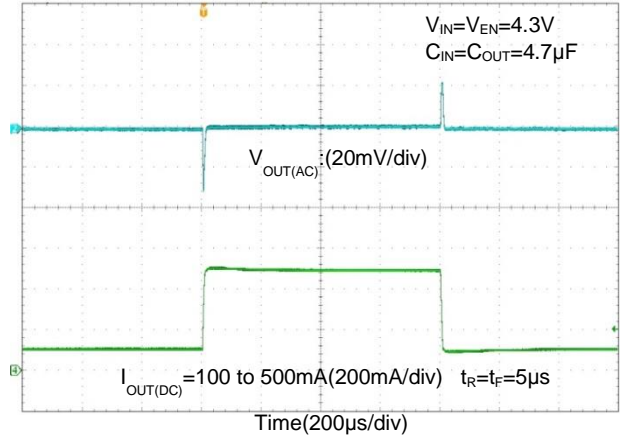
Load Transient Response
 $V_{OUT}=2.5V$



Load Transient Response
 $V_{OUT}=3.3V$

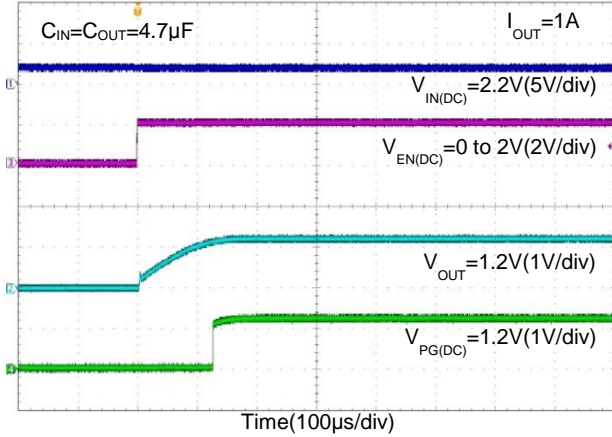


Load Transient Response
 $V_{OUT}=3.3V$

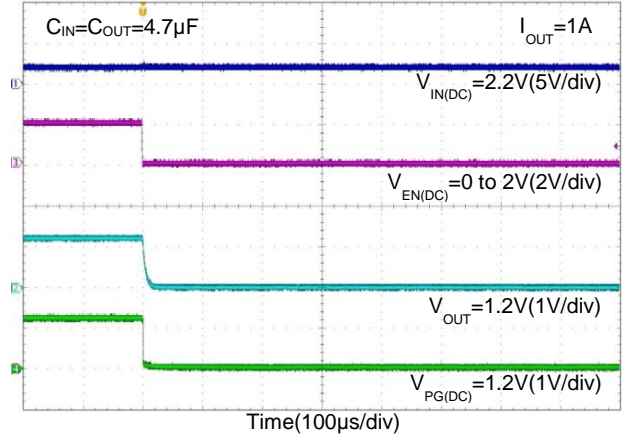


Typical Characteristics (continued)

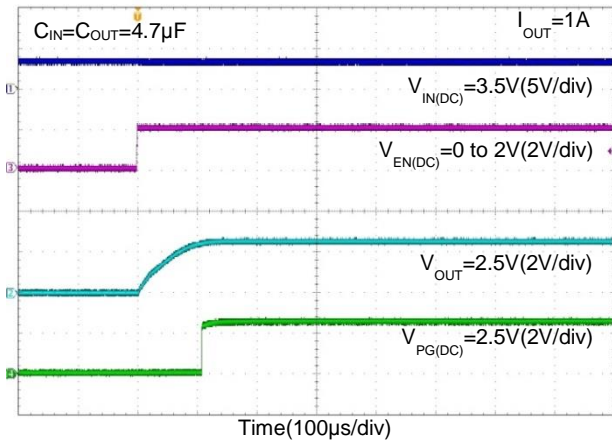
Enable Turn-On Response
 $V_{OUT}=1.2V$



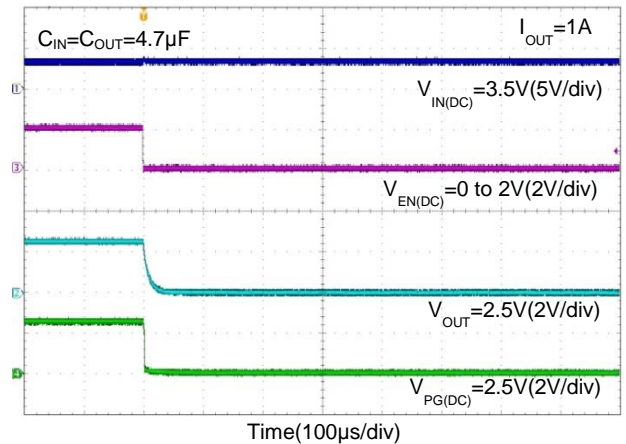
Enable Turn-Off Response
 $V_{OUT}=1.2V$



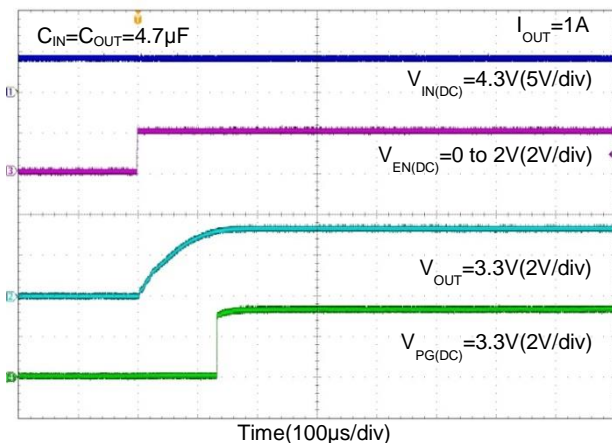
Enable Turn-On Response
 $V_{OUT}=2.5V$



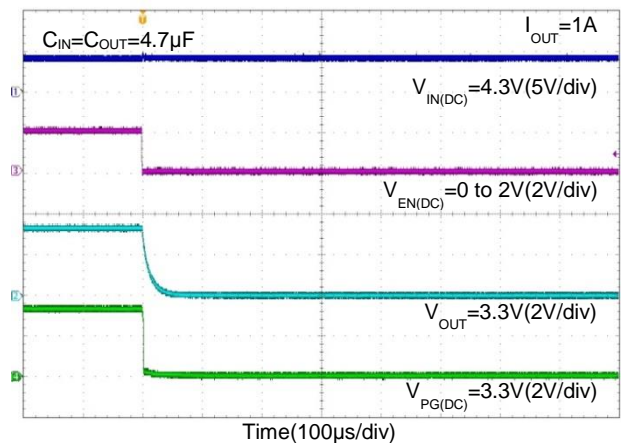
Enable Turn-Off Response
 $V_{OUT}=2.5V$



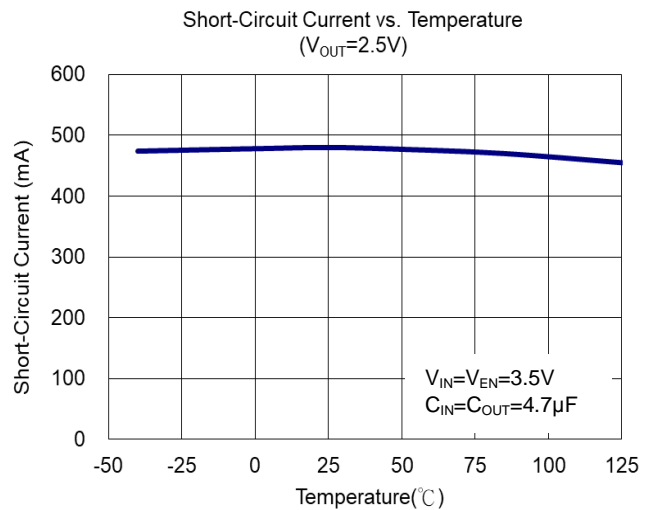
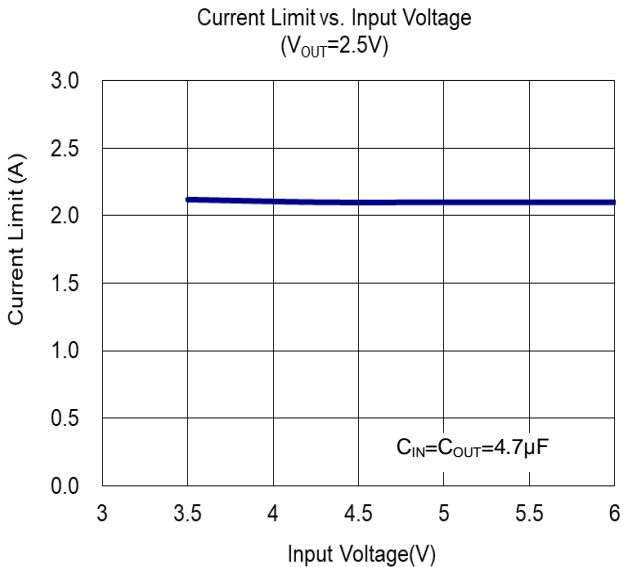
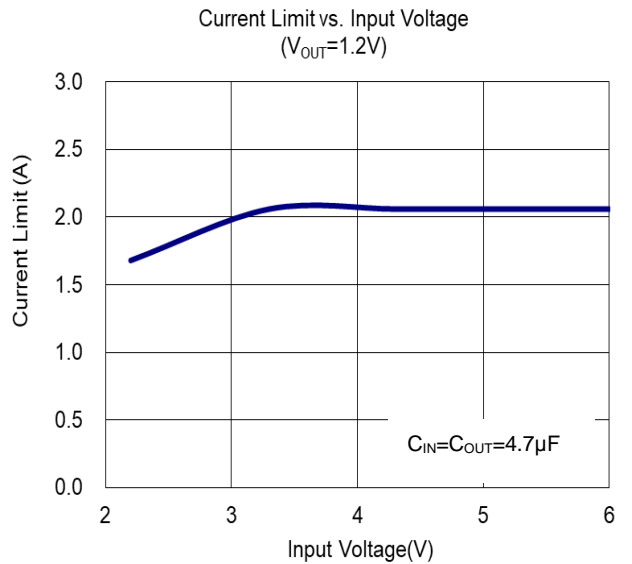
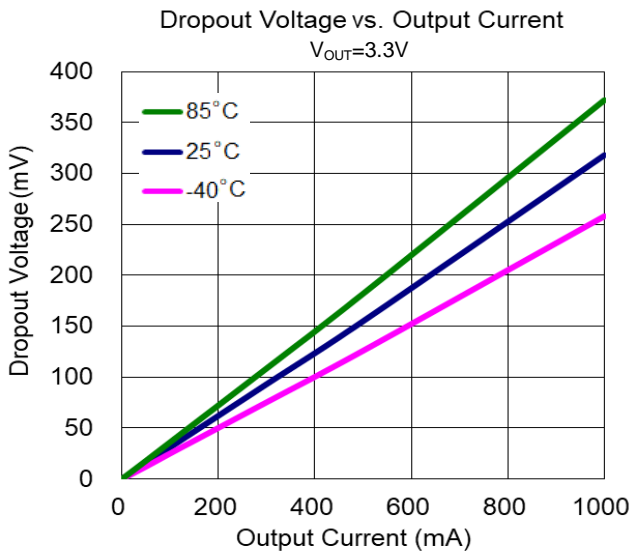
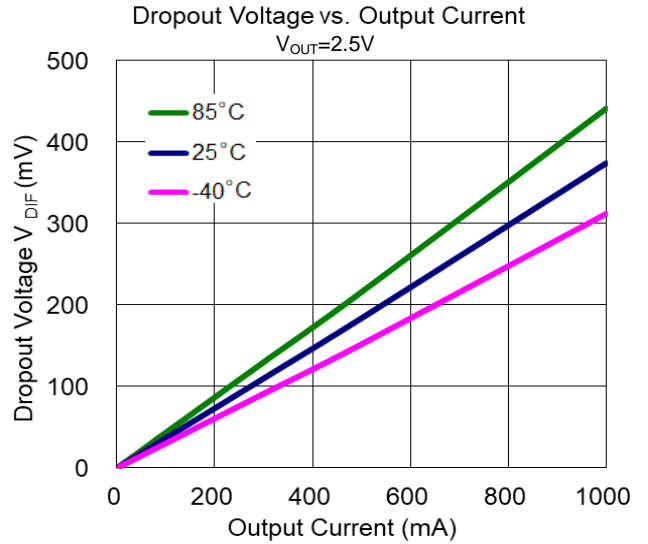
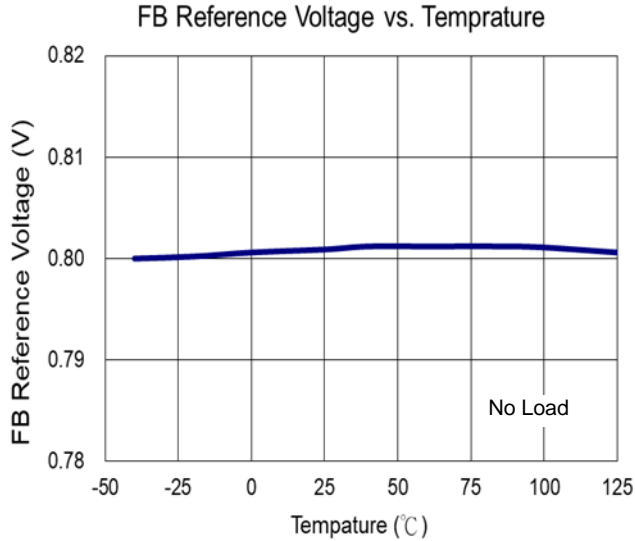
Enable Turn-On Response
 $V_{OUT}=3.3V$



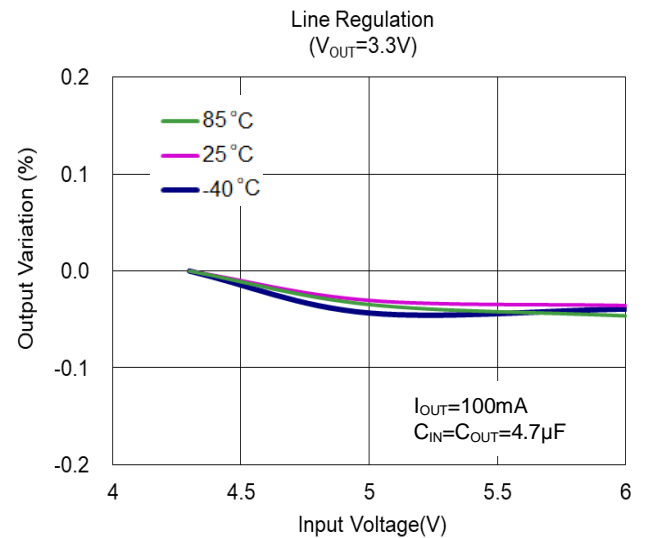
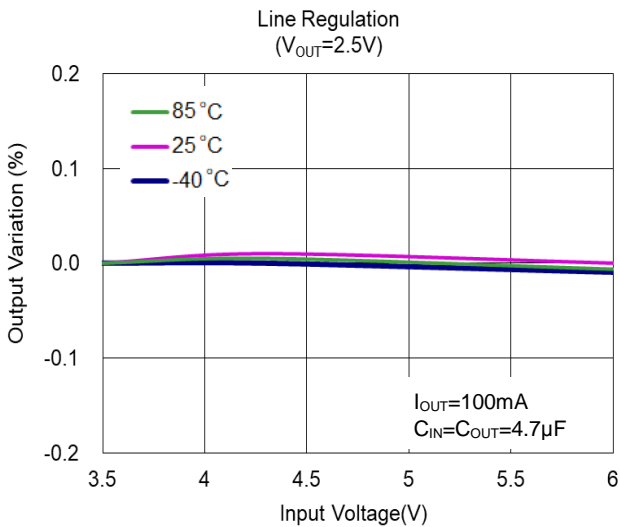
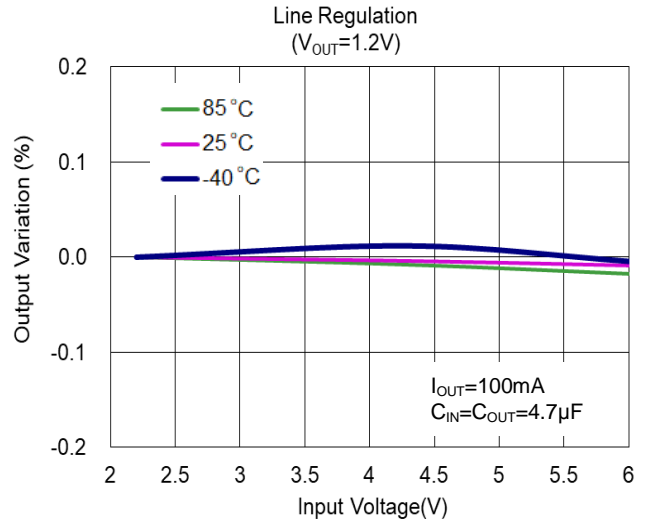
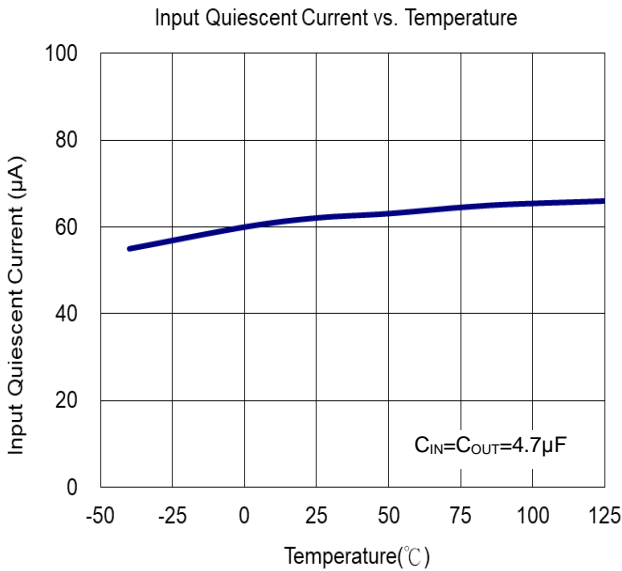
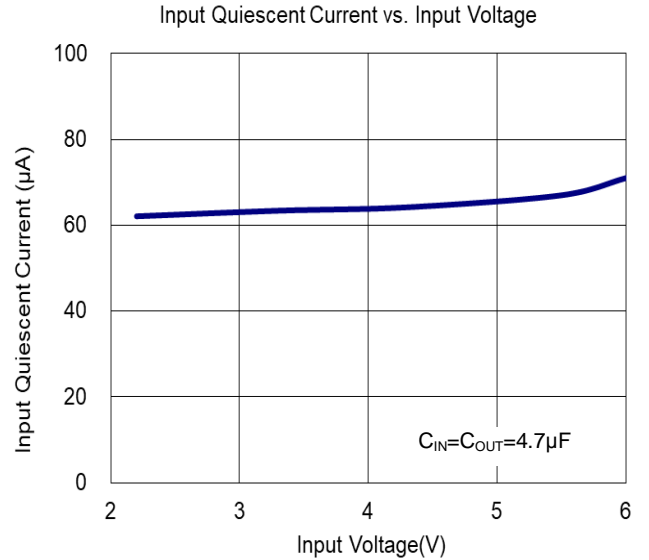
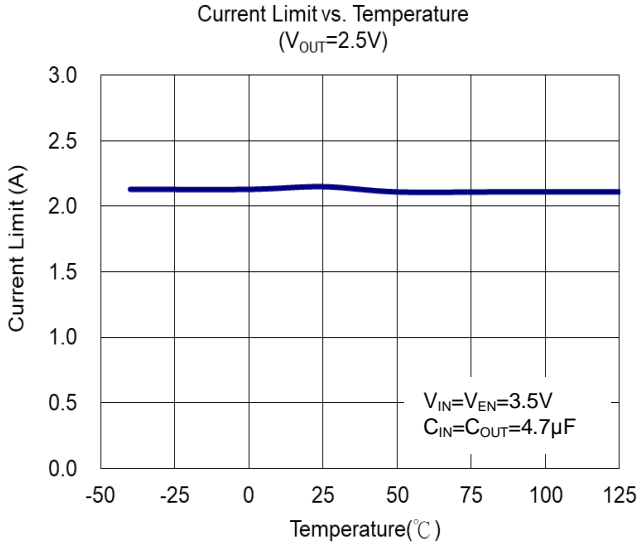
Enable Turn-Off Response
 $V_{OUT}=3.3V$



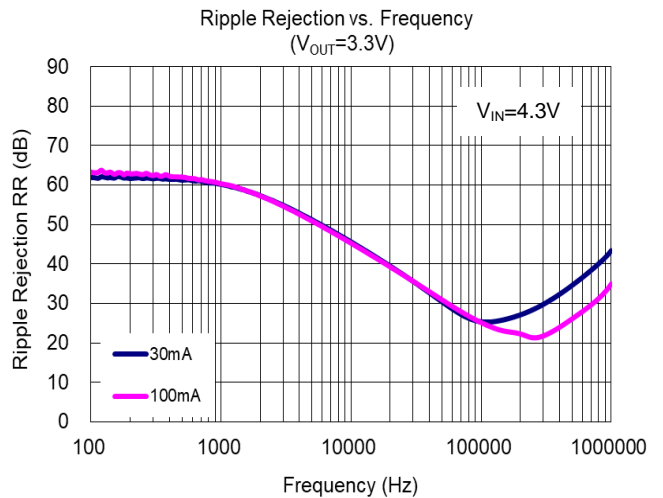
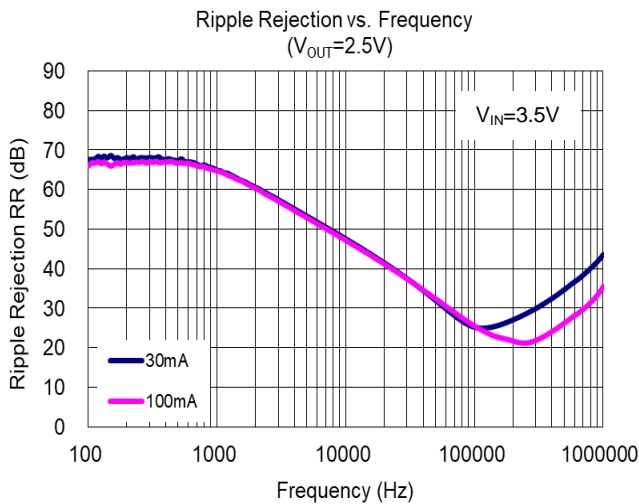
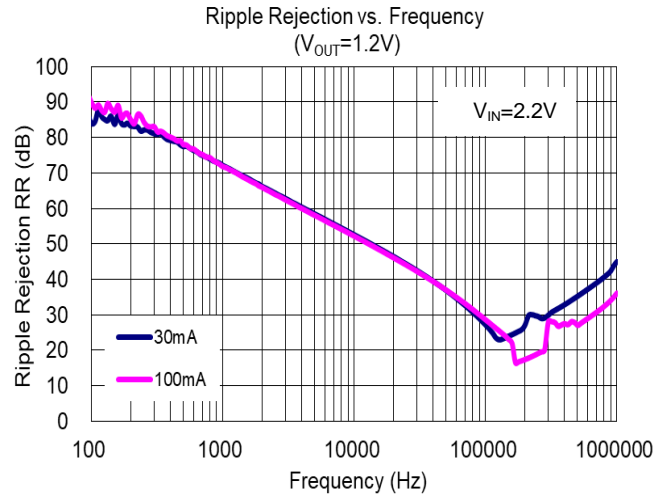
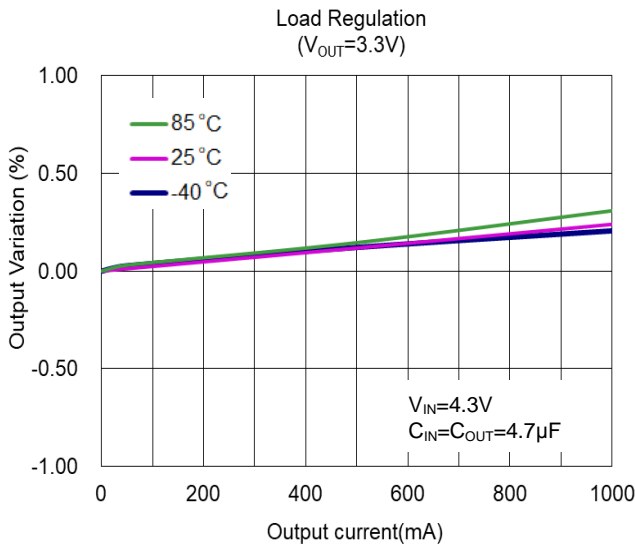
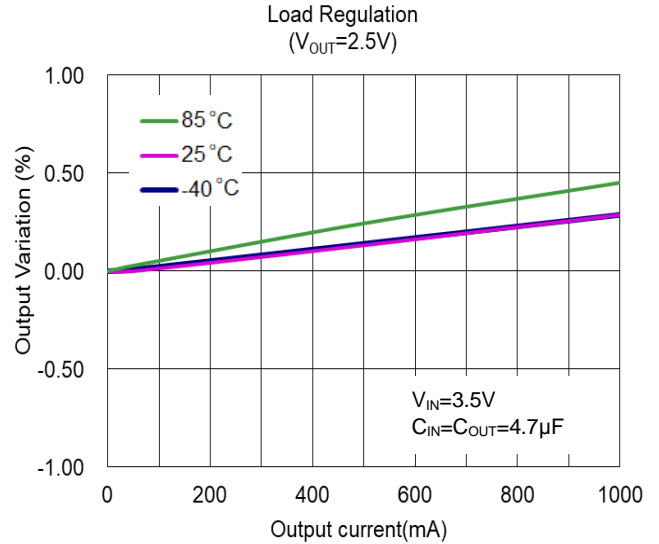
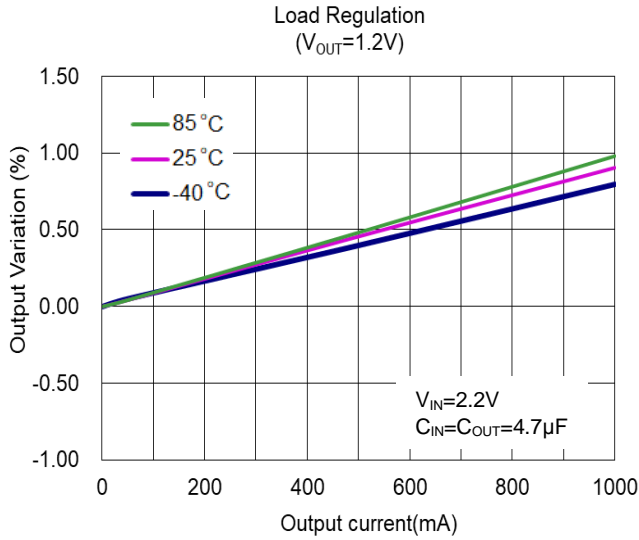
Typical Characteristics (continued)



Typical Characteristics (continued)



Typical Characteristics (continued)



Application Information

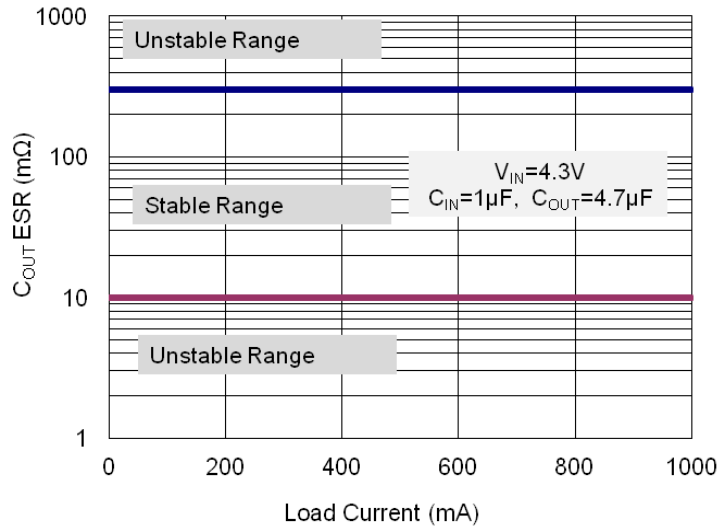
Input Capacitor

A 1 μ F ceramic capacitor is recommended between IN and GND pins to decouple input power supply glitch and noise. The amount of the capacitance may be increased without limit. This input capacitor must be located as close as possible to the device to assure input stability and reduce noise. For PCB layout, a wide copper trace is required for both IN and GND pins. A lower ESR capacitor type allows the use of less capacitance, while higher ESR type requires more capacitance.

Output Capacitor

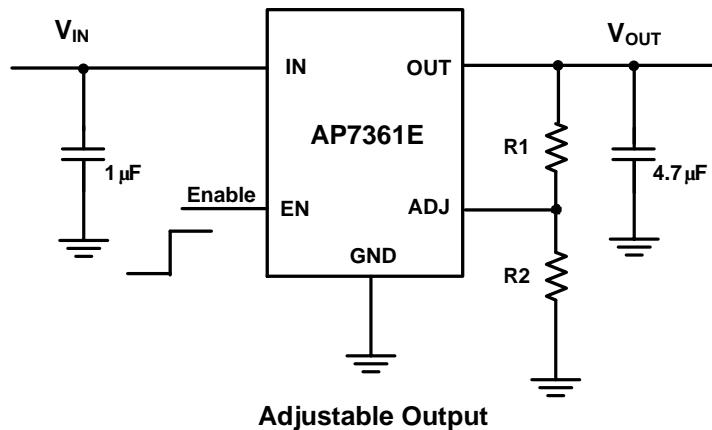
The output capacitor is required to stabilize and improve the transient response of the LDO. The AP7361E is stable with very small ceramic output capacitors. Using a ceramic capacitor value that is at least 2.2 μ F with $10\text{m}\Omega \leq \text{ESR} \leq 300\text{m}\Omega$ on the output ensures stability. Higher capacitance values help to improve line and load transient response. The output capacitance may be increased to keep low undershoot and overshoot. Output capacitor must be placed as close as possible to OUT and GND pins.

Region of Stable C_{OUT} ESR vs. Load Current



Adjustable Operation

The AP7361E provides output voltage from 0.8V to 5.0V through external resistor divider as shown below.



Application Information (continued)

The output voltage is calculated by:

$$V_{OUT} = V_{REF} \left(1 + \frac{R_1}{R_2} \right)$$

Where $V_{REF} = 0.8V$ (the internal reference voltage).

Rearranging the equation will give the following that is used for adjusting the output to a particular voltage:

$$R1 = R2 \left(\frac{V_{OUT}}{V_{REF}} - 1 \right)$$

To maintain the stability of the internal reference voltage, R2 needs to be kept smaller than 80kΩ.

No Load Stability

Other than external resistor divider, no minimum load is required to keep the device stable. The device will remain stable and regulated in no load condition.

ON/OFF Input Operation

The AP7361E is turned on by setting the EN pin high, and is turned off by pulling it low. If this feature is not used, the EN pin should be tied to IN pin to keep the regulator output on at all time. To ensure proper operation, the signal source used to drive the EN pin must be able to swing above and below the specified turn-on/off voltage thresholds listed in the *Electrical Characteristics* section under V_{IL} and V_{IH} .

Current Limit Protection

When output current at OUT pin is higher than current limit threshold, the current limit protection will be triggered and clamp the output current to prevent over-current and to protect the regulator from damage due to overheating.

Short Circuit Protection

When OUT pin is short-circuit to GND, short circuit protection will be triggered and clamp the output current to approximately 400mA. Full current is restored when the output voltage exceeds 15% of V_{OUT} . This feature protects the regulator from over-current and damage due to overheating.

Power Good

The power-good (PG) pin is an open-drain output and can be pulled up through a resistor of 10kΩ to 1MΩ to V_{IN} , V_{OUT} or any other rail that is 6V or lower. When the $V_{OUT} \geq V_{PGR}$, the PG output is high-impedance; if the V_{OUT} drops to below V_{PGF} , or the device is disabled, the PG pin is pulled to low by an internal MOSFET.

Thermal Shutdown Protection

Thermal protection disables the output when the junction temperature rises to approximately +150°C, allowing the device to cool down. When the junction temperature reduces to approximately +130°C the output circuitry is enabled again. Depending on power dissipation, thermal resistance, and ambient temperature, the thermal protection circuit may cycle on and off. This cycling limits the heat dissipation of the regulator, protecting it from damage due to overheating.

Ultra Fast Start-up

After enabled, the AP7361E is able to provide full power in as little as tens of microseconds, typically 200μs, without sacrificing low ground current. This feature will help load circuitry move in and out of standby mode in real time, eventually extend battery life for mobile phones and other portable devices.

Low Quiescent Current

The AP7361E, consuming only around 60μA for all input range, provides great power saving in portable and low power applications.

Application Information (continued)

Power Dissipation

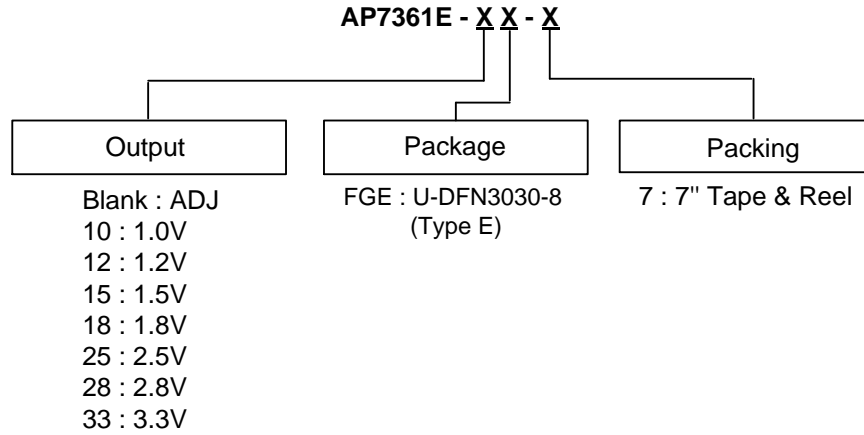
The device power dissipation and proper sizing of the thermal plane that is connected to the thermal pad is critical to avoid thermal shutdown and ensure reliable operation. Power dissipation of the device depends on input voltage and load conditions and can be calculated by:

$$P_D = (V_{IN} - V_{OUT}) \times I_{OUT}$$

The maximum power dissipation, handled by the device, depends on the maximum junction to ambient thermal resistance, maximum ambient temperature, and maximum device junction temperature, which can be calculated by the equation in the following:

$$P_{D(\max@T_A)} = \frac{(+150^\circ\text{C} - T_A)}{R_{\theta JA}}$$

Ordering Information

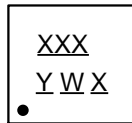


Part Number	Package Code	Packaging	7" Tape and Reel	
			Quantity	Part Number Suffix
AP7361E-XFGE-7	FGE	U-DFN3030-8 (Type E)	3000/Tape & Reel	-7

Marking Information

(1) U-DFN3030-8 (Type E)

(Top View)



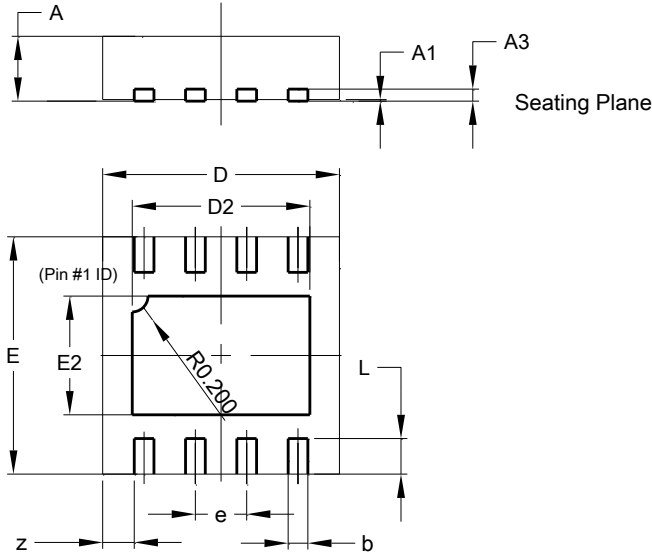
XXX : Identification Code
Y : Year : 0~9
W : Week : A~Z : 1~26 week;
a~z : 27~52 week; z represents
52 and 53 week
X : Internal Code

Part Number	Package	Identification Code
AP7361E-FGE-7	U-DFN3030-8 (Type E)	C9A
AP7361E-10FGE-7	U-DFN3030-8 (Type E)	C9B
AP7361E-12FGE-7	U-DFN3030-8 (Type E)	C9C
AP7361E-15FGE-7	U-DFN3030-8 (Type E)	C9D
AP7361E-18FGE-7	U-DFN3030-8 (Type E)	C9E
AP7361E-25FGE-7	U-DFN3030-8 (Type E)	C9F
AP7361E-28FGE-7	U-DFN3030-8 (Type E)	C9G
AP7361E-33FGE-7	U-DFN3030-8 (Type E)	C9H

Package Outline Dimensions

Please see <http://www.diodes.com/package-outlines.html> for the latest version.

U-DFN3030-8 (Type E)

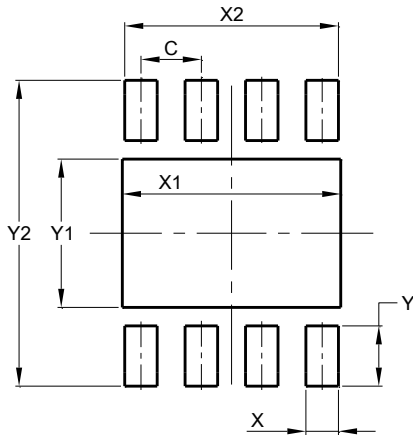


U-DFN3030-8 (Type E)			
Dim	Min	Max	Typ
A	0.57	0.63	0.60
A1	0.00	0.05	0.02
A3	-	-	0.15
b	0.20	0.30	0.25
D	2.95	3.05	3.00
D2	2.15	2.35	2.25
E	2.95	3.05	3.00
E2	1.40	1.60	1.50
e	-	-	0.65
L	0.30	0.60	0.45
z	-	-	0.40
All Dimensions in mm			

Suggested Pad Layout

Please see <http://www.diodes.com/package-outlines.html> for the latest version.

U-DFN3030-8 (Type E)



Dimensions	Value (in mm)
C	0.650
X	0.350
X1	2.350
X2	2.300
Y	0.650
Y1	1.600
Y2	3.300

Mechanical Data

- Moisture Sensitivity: Level 1 per J-STD-020
- Terminals: NiPdAu over Copper Leads, Solderable per MIL-STD-202, Method 208④
- Weight: 0.0164 grams (Approximate)

IMPORTANT NOTICE

DIODES INCORPORATED MAKES NO WARRANTY OF ANY KIND, EXPRESS OR IMPLIED, WITH REGARDS TO THIS DOCUMENT, INCLUDING, BUT NOT LIMITED TO, THE IMPLIED WARRANTIES OF MERCHANTABILITY AND FITNESS FOR A PARTICULAR PURPOSE (AND THEIR EQUIVALENTS UNDER THE LAWS OF ANY JURISDICTION).

Diodes Incorporated and its subsidiaries reserve the right to make modifications, enhancements, improvements, corrections or other changes without further notice to this document and any product described herein. Diodes Incorporated does not assume any liability arising out of the application or use of this document or any product described herein; neither does Diodes Incorporated convey any license under its patent or trademark rights, nor the rights of others. Any Customer or user of this document or products described herein in such applications shall assume all risks of such use and will agree to hold Diodes Incorporated and all the companies whose products are represented on Diodes Incorporated website, harmless against all damages.

Diodes Incorporated does not warrant or accept any liability whatsoever in respect of any products purchased through unauthorized sales channel. Should Customers purchase or use Diodes Incorporated products for any unintended or unauthorized application, Customers shall indemnify and hold Diodes Incorporated and its representatives harmless against all claims, damages, expenses, and attorney fees arising out of, directly or indirectly, any claim of personal injury or death associated with such unintended or unauthorized application.

Products described herein may be covered by one or more United States, international or foreign patents pending. Product names and markings noted herein may also be covered by one or more United States, international or foreign trademarks.

This document is written in English but may be translated into multiple languages for reference. Only the English version of this document is the final and determinative format released by Diodes Incorporated.

LIFE SUPPORT

Diodes Incorporated products are specifically not authorized for use as critical components in life support devices or systems without the express written approval of the Chief Executive Officer of Diodes Incorporated. As used herein:

A. Life support devices or systems are devices or systems which:

1. are intended to implant into the body, or
2. support or sustain life and whose failure to perform when properly used in accordance with instructions for use provided in the labeling can be reasonably expected to result in significant injury to the user.

B. A critical component is any component in a life support device or system whose failure to perform can be reasonably expected to cause the failure of the life support device or to affect its safety or effectiveness.

Customers represent that they have all necessary expertise in the safety and regulatory ramifications of their life support devices or systems, and acknowledge and agree that they are solely responsible for all legal, regulatory and safety-related requirements concerning their products and any use of Diodes Incorporated products in such safety-critical, life support devices or systems, notwithstanding any devices- or systems-related information or support that may be provided by Diodes Incorporated. Further, Customers must fully indemnify Diodes Incorporated and its representatives against any damages arising out of the use of Diodes Incorporated products in such safety-critical, life support devices or systems.

Copyright © 2020, Diodes Incorporated

www.diodes.com