

174354-2 ✓ ACTIVE



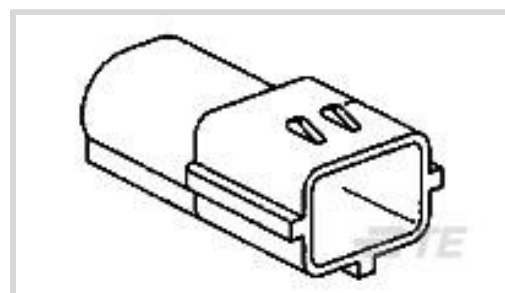
AMP | Econoseal, Econoseal J - 070 Mark II

TE Internal #: 174354-2

Hybrid, Housing for Male Terminals, Wire-to-Board / Wire-to-Wire / Wire-to-Device, 2 Position, 4.8mm [.189in] Centerline, Sealable, Black, Signal

[View on TE.com >](#)

Connectors > Automotive Connectors > Connector Housings > ECONOSEAL, CONNECTOR HOUSING



Connector & Housing Type: **Housing for Male Terminals**

Mating Tab Width: **1.8 mm [.071 in]**

Connector System: **Wire-to-Board, Wire-to-Device, Wire-to-Wire**

Number of Positions: **2**

Centerline (Pitch): **4.8 mm [.189 in]**

[All ECONOSEAL, CONNECTOR HOUSING \(92\)](#)

Features

Product Type Features

Connector & Housing Type	Housing for Male Terminals
Connector System	Wire-to-Board, Wire-to-Device, Wire-to-Wire
Sealable	Yes
Hybrid Connector	No
Primary Locking Feature	Integrated in Housing

Configuration Features

Number of Positions	2
Number of Rows	1

Electrical Characteristics

Operating Voltage	12 VDC
Nominal Voltage Architecture	12 V

Body Features

Cable Exit Angle	180°
Body Material	PBT
Primary Product Color	Black

Contact Features



Mating Tab Width	1.8 mm[.071 in]
------------------	-----------------

Mechanical Attachment

Mounting Feature	Without
------------------	---------

Terminal Position Assurance	Yes
-----------------------------	-----

Strain Relief	No
---------------	----

Mating Alignment Type	Polarized
-----------------------	-----------

Housing Features

Centerline (Pitch)	4.8 mm[.189 in]
--------------------	-----------------

Dimensions

Product Width	18.3 mm[.72 in]
---------------	-----------------

Product Length	32.5 mm[1.28 in]
----------------	------------------

Product Height	14.05 mm[.553 in]
----------------	-------------------

Usage Conditions

Operating Temperature (Max)	70 °C, 75 °C, 80 °C, 85 °C, 90 °C, 100 °C, 105 °C[158 °F][167 °F][176 °F][185 °F][194 °F] [212 °F][221 °F]
-----------------------------	--

Operating Temperature Range	-30 – 105 °C[-22 – 221 °F]
-----------------------------	----------------------------

Operation/Application

Circuit Application	Signal
---------------------	--------

Industry Standards

UL Flammability Rating	UL 94V-2
------------------------	----------

Packaging Features

Packaging Quantity	100
--------------------	-----

Packaging Method	Bag
------------------	-----

Other

Serviceable	Yes
-------------	-----

Connector Position Assurance Capable	No
--------------------------------------	----

Product Compliance

[For compliance documentation, visit the product page on TE.com>](#)

EU RoHS Directive 2011/65/EU	Compliant
------------------------------	-----------


EU ELV Directive 2000/53/EC	Compliant
-----------------------------	-----------

China RoHS 2 Directive MIIT Order No 32, 2016	No Restricted Materials Above Threshold
EU REACH Regulation (EC) No. 1907/2006	Current ECHA Candidate List: JUN 2020 (209) Candidate List Declared Against: JUN 2020 (209) Does not contain REACH SVHC
Halogen Content	Not Low Halogen - contains Br or Cl > 900 ppm.
Solder Process Capability	Not applicable for solder process capability

Product Compliance Disclaimer

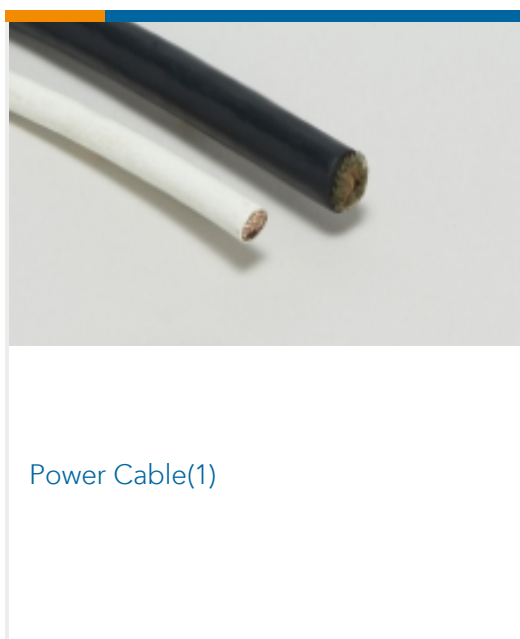
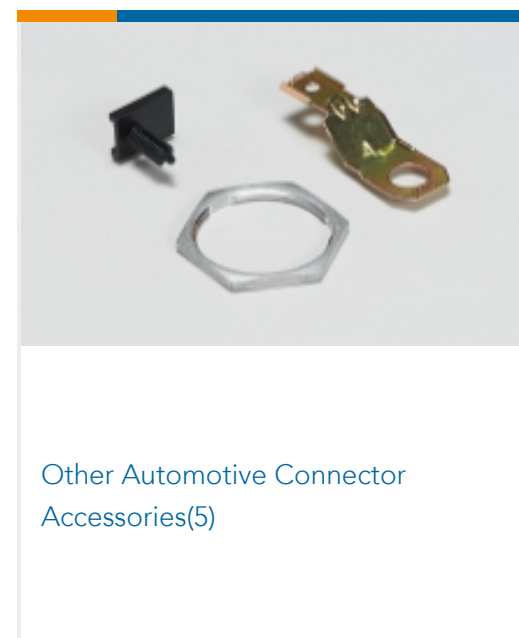
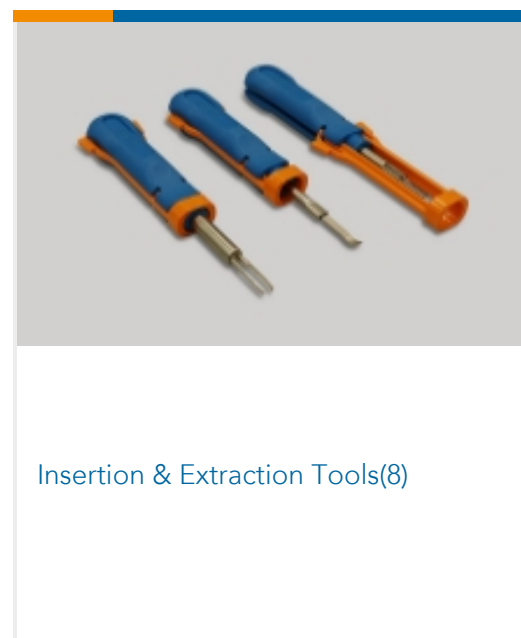
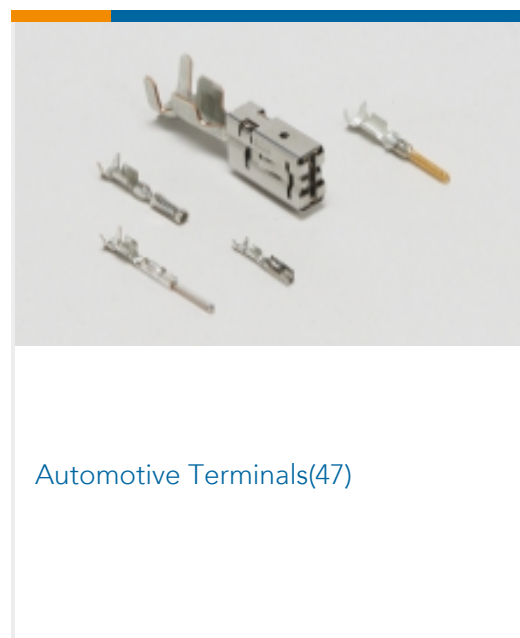
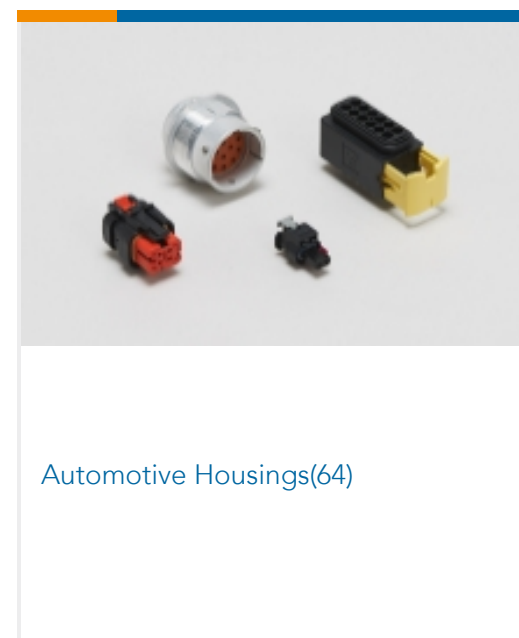
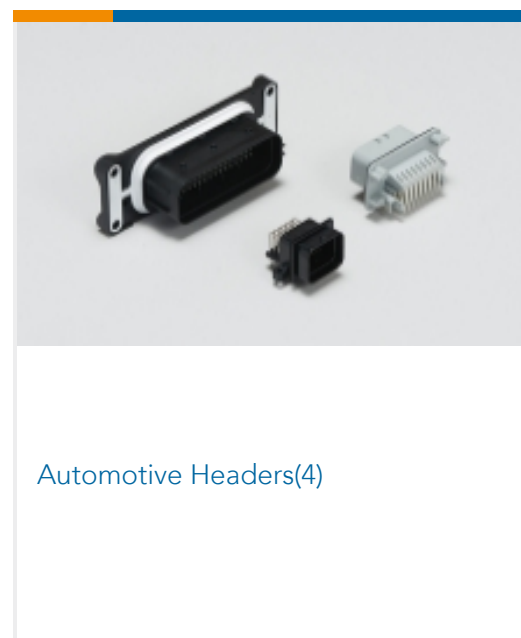
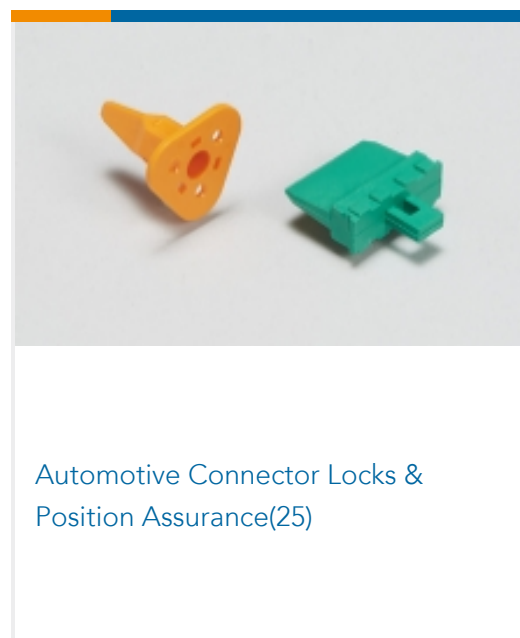
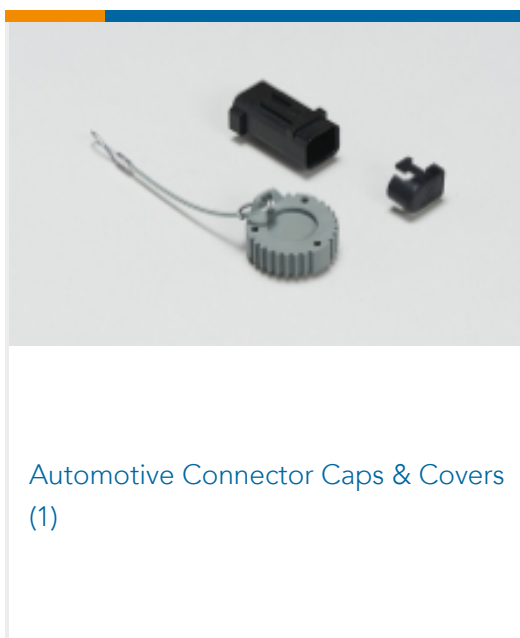
This information is provided based on reasonable inquiry of our suppliers and represents our current actual knowledge based on the information they provided. This information is subject to change. The part numbers that TE has identified as EU RoHS compliant have a maximum concentration of 0.1% by weight in homogenous materials for lead, hexavalent chromium, mercury, PBB, PBDE, DBP, BBP, DEHP, DIBP, and 0.01% for cadmium, or qualify for an exemption to these limits as defined in the Annexes of Directive 2011/65/EU (RoHS2). Finished electrical and electronic equipment products will be CE marked as required by Directive 2011/65/EU. Components may not be CE marked. Additionally, the part numbers that TE has identified as EU ELV compliant have a maximum concentration of 0.1% by weight in homogenous materials for lead, hexavalent chromium, and mercury, and 0.01% for cadmium, or qualify for an exemption to these limits as defined in the Annexes of Directive 2000/53/EC (ELV). Regarding the REACH Regulation, the information TE provides on SVHC in articles for this part number is based on the latest European Chemicals Agency (ECHA) 'Guidance on requirements for substances in articles' posted at this URL: <https://echa.europa.eu/guidance-documents/guidance-on-reach>

Compatible Parts

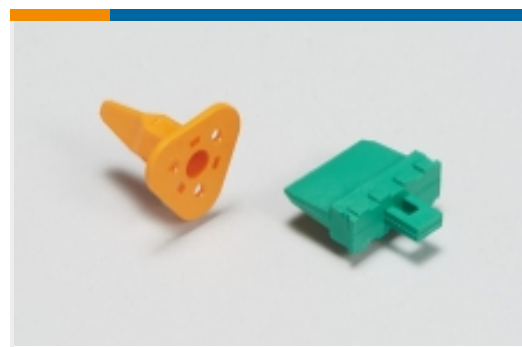
 <p>TE Part # CAT-EC7491-CH8172 ECONOSEAL, CONNECTOR HOUSING</p>	 <p>TE Part # CAT-EC7491-T273 ECONOSEAL, RECEPTACLE AND TAB</p>	 <p>TE Part # CAT-M9194-T273 MULTILOCK, RECEPTACLE AND TAB</p>	 <p>TE Part # 1-174355-1 E-J MK-2 CAP HSG 2P NATURAL</p>
 <p>TE Part # 174355-7 070 ECONOSEAL MARK-2 P/CAP 2P</p>	 <p>TE Part # 1-172888-3 COMPRUBBER PLUG SILICON</p>	 <p>TE Part # 174353-7 070 ECONOSEAL MARK-2 PLATE 2P</p>	 <p>TE Part # 1-900325-9 070 RUBBER PLUG M</p>



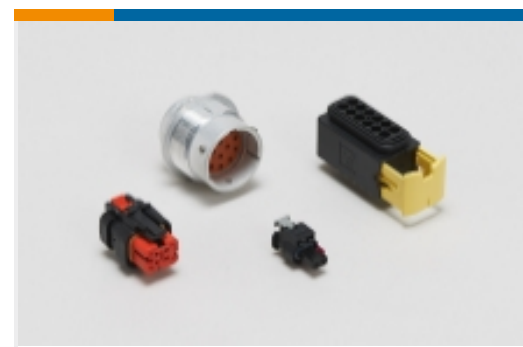
Also in the Series | Econoseal



Also in the Series | Econoseal J - 070 Mark II



Automotive Connector Locks & Position Assurance(8)

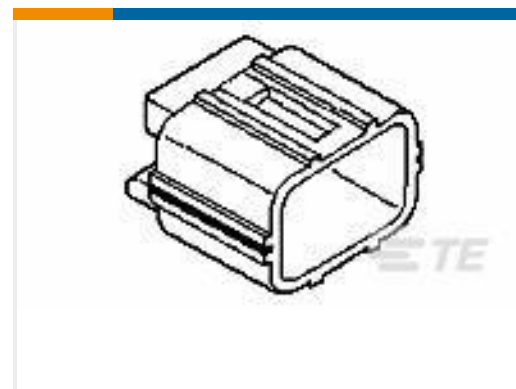
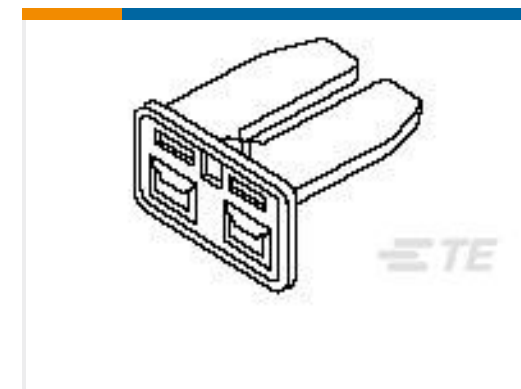
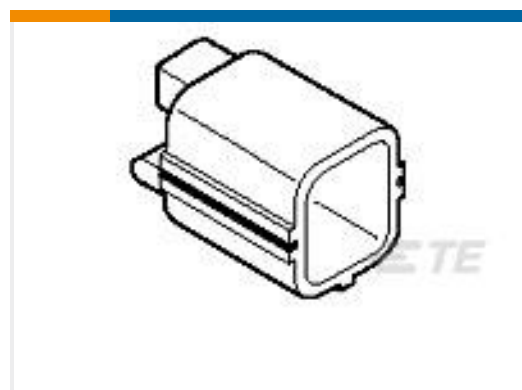


Automotive Housings(5)



Automotive Seals & Cavity Plugs(1)

Customers Also Bought

TE Part #174359-2
ECONOSEAL, CONNECTOR
HOUSINGTE Part #F78253-000
V2-5.0-9-SP-SMTE Part #174355-7
070 ECONOSEAL MARK-2 P/CAP 2PTE Part #1-174353-1
070 E-J MK2 PLATE 2PTE Part #174880-7
1 POS DL PLATE FOR CAP MK II+TE Part #2822354-1
070 TYPE RUBBER PLUGTE Part #2822352-1
070 TYPE RUBBER PLUGTE Part #1-965600-1
MQS KAPPE 8P

Documents

Product Drawings

[070 ECONOSEAL MARK-2 CAP 2P](#)

English

CAD Files

[3D PDF](#)

3D

Customer View Model

[ENG_CVM_CVM_174354-2_E.2d_dxf.zip](#)

English

Customer View Model

[ENG_CVM_CVM_174354-2_E.3d_igs.zip](#)

English

Customer View Model

[ENG_CVM_CVM_174354-2_E.3d_stp.zip](#)

English

By downloading the CAD file I accept and agree to the [Terms and Conditions](#) of use.



Datasheets & Catalog Pages

Econoseal Connector Series

English

Product Specifications

Product Specification

English

Product Specification

Japanese

Product Environmental Compliance

MD_174354-2_01212015145_dmtec

English

MD_174354-2_01212015145_dmtec

English

Instruction Sheets

ECONOSEAL J MARK II+ CONNECTOR

English

Customer Manual (non U.S.)

English

ECONOSEAL J MARK II+ CONNECTOR (EJ-MK II+)

English

Customer Manual (non U.S.)

English

Agency Approvals

Agency Approval Document

English