



Connectors > Rectangular Connectors > Rectangular Connector Accessories > Rectangular Boots & Strain Relief



Protection & Strain Relief Accessory Type: **Strain Relief**

Primary Product Material: **Nylon**

Primary Product Color: **Natural**

Operating Temperature Range: **-20 – 105 °C [-4 – 221 °F]**

## Features

### Product Type Features

Insert Supplied	No
Protection & Strain Relief Accessory Type	Strain Relief
Product Type	Accessory

### Body Features

Primary Product Material	Nylon
Primary Product Color	Natural

### Usage Conditions

Operating Temperature Range	-20 – 105 °C[-4 – 221 °F]
-----------------------------	---------------------------

### Packaging Features

Packaging Method	Package
Packaging Quantity	1

### Other

Comment	Must use cap housing adapters when attaching strain reliefs to a cap housing. Two adapters required per housing., Strain
---------	--



relief part number represents one half of a strain relief. Two of a part number are required per connector.

### Product Compliance

[For compliance documentation, visit the product page on TE.com>](#)

EU RoHS Directive 2011/65/EU	Compliant
EU ELV Directive 2000/53/EC	Compliant
China RoHS 2 Directive MIIT Order No 32, 2016	No Restricted Materials Above Threshold
EU REACH Regulation (EC) No. 1907/2006	Current ECHA Candidate List: JUN 2020 (209) Candidate List Declared Against: JUN 2020 (209) Does not contain REACH SVHC
Halogen Content	Low Halogen - Br, Cl, F, I < 900 ppm per homogenous material. Also BFR/CFR/PVC Free
Solder Process Capability	Not applicable for solder process capability

#### Product Compliance Disclaimer

This information is provided based on reasonable inquiry of our suppliers and represents our current actual knowledge based on the information they provided. This information is subject to change. The part numbers that TE has identified as EU RoHS compliant have a maximum concentration of 0.1% by weight in homogenous materials for lead, hexavalent chromium, mercury, PBB, PBDE, DBP, BBP, DEHP, DIBP, and 0.01% for cadmium, or qualify for an exemption to these limits as defined in the Annexes of Directive 2011/65/EU (RoHS2). Finished electrical and electronic equipment products will be CE marked as required by Directive 2011/65/EU. Components may not be CE marked. Additionally, the part numbers that TE has identified as EU ELV compliant have a maximum concentration of 0.1% by weight in homogenous materials for lead, hexavalent chromium, and mercury, and 0.01% for cadmium, or qualify for an exemption to these limits as defined in the Annexes of Directive 2000/53/EC (ELV). Regarding the REACH Regulation, the information TE provides on SVHC in articles for this part number is based on the latest European Chemicals Agency (ECHA) 'Guidance on requirements for substances in articles' posted at this URL: <https://echa.europa.eu/guidance-documents/guidance-on-reach>

### Compatible Parts

 <p>TE Part # 350831-1 02P UMNL HDR ASSY PC 94VO</p>	 <p>TE Part # 350759-5 02P UMNL HDR ASSY PC V2 LF</p>	 <p>TE Part # 3-350942-0 02P UMNL HDR ASSY R/A 94VO LF</p>	 <p>TE Part # 350787-1 02P UMNL PIN HDR ASSY 94VO</p>
---	--	---	--



TE Part # 350786-3  
02P UMNL HDR ASSY AU 94VO



TE Part # 1-350942-0  
02P UMNL HDR ASSY R/A 94VO



TE Part # 641964-3  
02P UMNL PIN HDR ASSY POL LF



TE Part # 350824-4  
02P UMNL HDR ASSY PC LF



TE Part # 350787-3  
02P UMNL PIN HDR ASSY 94VO LF



TE Part # 641964-1  
02P UMNL PIN HDR ASSY POL 94VO



TE Part # 350428-4  
02P UMNL PIN HDR ASSY NATL AU



TE Part # 350778-1  
02P UMNL CAP HSG



TE Part # 641963-1  
02P UMNL PIN HDR ASSY POL NATL



TE Part # 350428-1  
02P UMNL PIN HDR ASSY NATL



TE Part # 350759-4  
02P UMNL HDR ASSY PC V2 NATL



TE Part # 350824-1  
02P UMNL HDR ASSY PC 94VO



TE Part # 1-480699-0  
02P UMNL CAP HSG NATL



TE Part # 643226-1  
02P UMNL HDR ASSY R/A 94VO




TE Part # 643412-1  
02P UMNL HDR ASSY POL 94VO




TE Part # 350582-1  
02P UMNL PIN HDR ASSY V2 NATL


Also in the Series | **Universal MATE-N-LOK**




Circular Power Connectors(2)



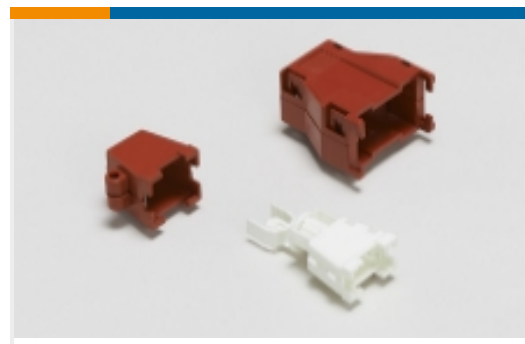
Connector Contacts(11)



Insertion & Extraction Tools(5)



Power Contacts(207)



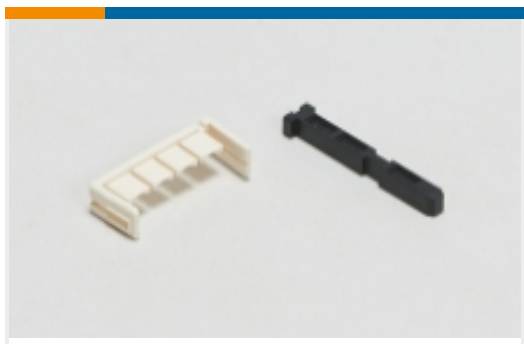
Rectangular Boots & Strain Relief(35)



Rectangular Connector Adapters(7)



Rectangular Connector Housings(3)



Rectangular Connector Keying Plugs(3)



Rectangular Connector Locking(4)



Rectangular Connector Seals(26)



Rectangular Power Connectors(726)

## Customers Also Bought



TE Part #1977878-1  
CPC SERIES 1 SEALED ONE-PIECE



TE Part #2198235-3  
SFP+ Enhanced 1x6, Networking Heatsink



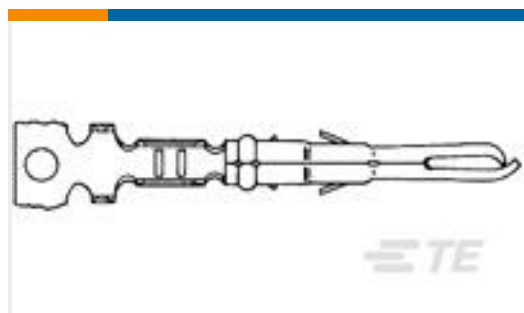
TE Part #1-2299959-1  
TRAY PACKAGE.THERMOCOUPLE CONN KTYPE REC



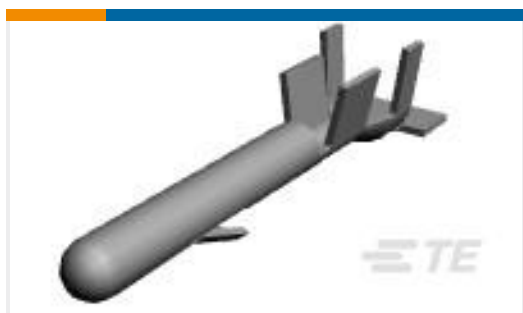
TE Part #643182-2  
UMNL STR/REL ADAPTER CAP



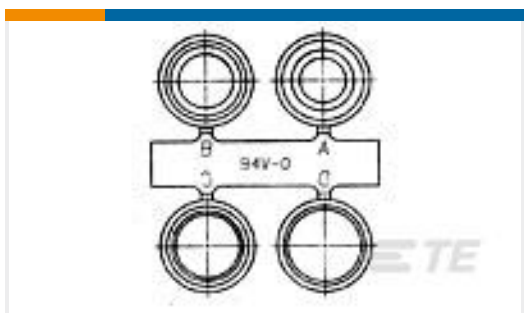
TE Part #2170703-7  
CAGE ASSEMBLY, QSFP28 1X1, SPRING



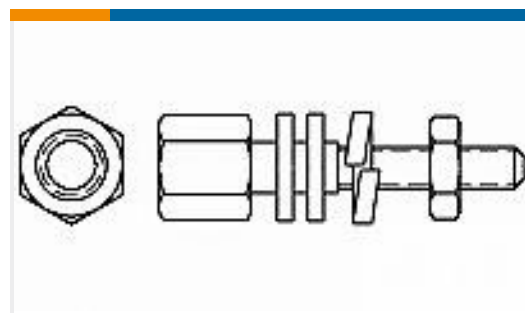
TE Part #640579-2  
MR SPLIT PIN AUPHBRZ LP 26-24



TE Part #61118-4  
CMNL PIN 20-14 TPPHBZ



TE Part #747973-1  
GROMMET ASSORTMENT, SZ 3,4 & 5



TE Part #5747223-3  
AMPLI FEM S'LOCK KIT



TE Part #640713-1  
02P UMNL STR/REL & INSERT

## Documents



### Product Drawings

#### 02P UMNL STR/RELIEVE

English

---

### CAD Files

#### 3D PDF

3D

#### Customer View Model

[ENG\\_CVM\\_CVM\\_640713-2\\_AB\\_c-640713-2-ab.2d\\_dxf.zip](#)

English

#### Customer View Model

[ENG\\_CVM\\_CVM\\_640713-2\\_AB\\_c-640713-2-ab.3d\\_igs.zip](#)

English

#### Customer View Model

[ENG\\_CVM\\_CVM\\_640713-2\\_AB\\_c-640713-2-ab.3d\\_stp.zip](#)

English

By downloading the CAD file I accept and agree to the [Terms and Conditions](#) of use.

---

### Datasheets & Catalog Pages

#### SOFT\_SHELL\_PIN\_SOCKET\_CONNECTORS\_STANDARD\_DENSITY

English

---

### Product Environmental Compliance

#### 02P UMNL STR/RELIEVE

English

#### 02P UMNL STR/RELIEVE

English

---

### Instruction Sheets

#### Instruction Sheet (U.S.)

English