

## Technical Characteristics

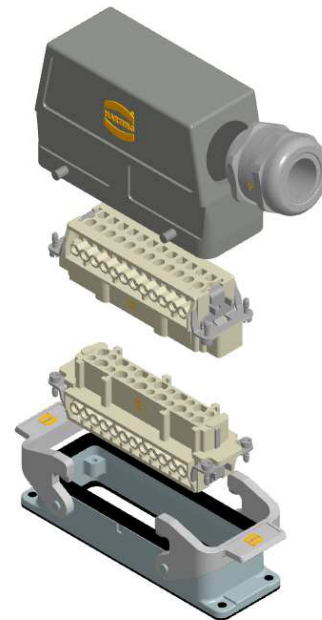
### Part Number

#### Han 24B Rear-Mount Kit

|                   |                       |
|-------------------|-----------------------|
| Hood              | Side Entry            |
| Housing           | Double Lever Bulkhead |
| Material          | Die Cast Aluminum     |
| IP / NEMA         | IP66 / 4, 4x, 12      |
| Temp Rating       | -40 to +125C          |
| Cable Gland       | M32 Metal             |
| Cable Diameter    | 13-20mm / 18-25mm     |
| Insert            | Han 24E, 24+GND       |
| Screw Terminals   | 18-14AWG              |
| Wire Strip Length | 7.5mm                 |
| Mating Cycles     | >500                  |
| Flammability      | V-0                   |

**73 10 100 0008**

**UL508**

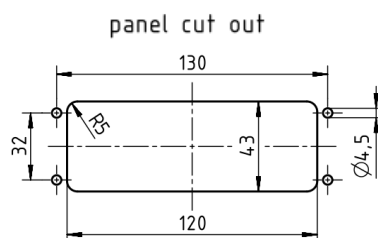
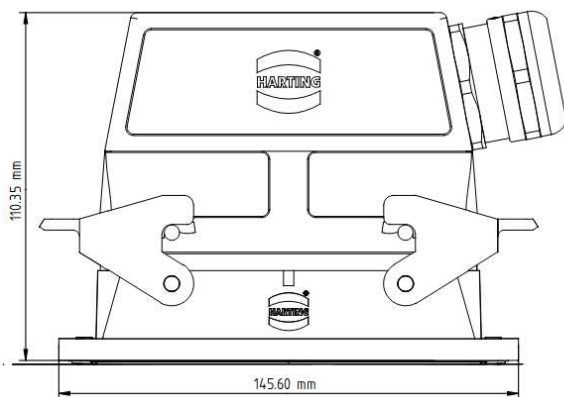


#### Electrical Characteristics

|                       |        |
|-----------------------|--------|
| Rated Current         | 16amps |
| Rated Voltage         | 600V   |
| Rated Impulse Voltage | 6kV    |

## Drawings and Assembly Information

Dimensions in mm



#### Tooling and Torque Values

| Type                             | Tool                        | Torque (Nm) |
|----------------------------------|-----------------------------|-------------|
| Terminal Screws (M3)             | PH1 or Slotted<br>0.6 x 3.5 | 0.50        |
| Fixing Screw (M3)                | PH2 or Slotted<br>0.6 x 3.5 | 0.50        |
| Mounting Screws (M4 recommended) | -                           | 0.8...1.0   |
| Cable Gland (M32)                | SW 40                       | 15          |

#### Kit Contents

|               |                |
|---------------|----------------|
| Male Insert   | 09 33 024 2601 |
| Female insert | 09 33 024 2701 |
| Housing       | 09 30 024 0391 |
| Hood          | 19 30 024 0527 |
| Cable Gland   | 19 00 000 5095 |