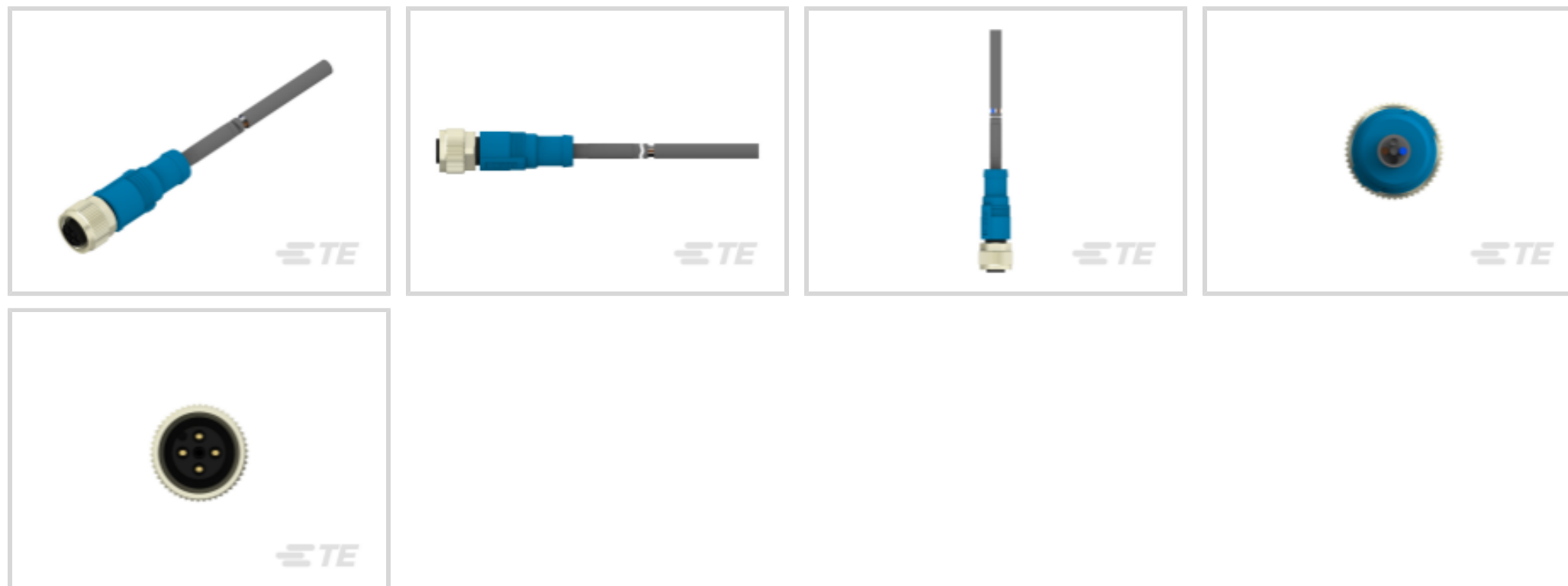




Cable Assemblies > Copper Cable Assemblies > M8/M12 Cable Assemblies > M12 A-CODE FEMALE STRT SINGLE END CABLE



M8/M12 Application Type: **Sensor/Actuator**

Number of M8/M12 Cable Assembly Positions: **4**

M8/M12 Cable Assembly Keying: **A**

M8/M12 Cable Assembly Connector Type: **Receptacle**

M8/M12 Cable Assembly Type: **M12 Pigtail**

[All M12 A-CODE FEMALE STRT SINGLE END CABLE \(140\)](#)

## Features

### Product Type Features

LED	Without
Cable Type	PUR
Product Type	Cable Assembly
Assembly Type	Pigtail
M8/M12 Cable Assembly Connector Type	Receptacle
M8/M12 Cable Assembly Type	M12 Pigtail
M8/M12 Cable Assembly Shielded	No

### Configuration Features

Number of M8/M12 Cable Assembly Positions	4
M8/M12 Cable Assembly Keying	A
M8/M12 Cable Assembly Configuration	Single Ended

### Electrical Characteristics

Operating Voltage	250 VDC
-------------------	---------



### Body Features

Connector Color	Blue
Cable Exit Angle	Straight
Environmental Protection	With
Insulation Material	PVC
Conductor Material	Copper Alloy
Cable Jacket Color	Gray

### Contact Features

Contact Current Rating	4 A
------------------------	-----

### Mechanical Attachment

Screw & Hole Thread Size	M12
M8/M12 Cable Assembly Mounting Angle	Straight

### Housing Features

M8/M12 Cable Assembly Housing Material	GF Nylon
--	----------

### Dimensions

Wire Size	22 AWG
Cable Assembly Length	3000 mm

### Operation/Application

M8/M12 Application Type	Sensor/Actuator
-------------------------	-----------------

### Other

Field Serviceable	Yes
-------------------	-----

### Product Compliance

[For compliance documentation, visit the product page on TE.com>](#)

EU RoHS Directive 2011/65/EU	Compliant with Exemptions
EU ELV Directive 2000/53/EC	Compliant with Exemptions
China RoHS 2 Directive MIIT Order No 32, 2016	Restricted Materials Above Threshold
EU REACH Regulation (EC) No. 1907/2006	Current ECHA Candidate List: JUN 2020 (209) Candidate List Declared Against: JAN 2020 (205) SVHC > Threshold: Pb (1.9% in Pb-Alloy in Copper) <small>Article Safe Usage Statements:</small>



Do not eat, drink or smoke when using this product. Wash thoroughly after handling. Recycle if possible and dispose of the article by following all applicable governmental regulations relevant to your geographic location.

Halogen Content

Not Yet Reviewed for halogen content

Solder Process Capability

Not applicable for solder process capability


Product Compliance Disclaimer

This information is provided based on reasonable inquiry of our suppliers and represents our current actual knowledge based on the information they provided. This information is subject to change. The part numbers that TE has identified as EU RoHS compliant have a maximum concentration of 0.1% by weight in homogenous materials for lead, hexavalent chromium, mercury, PBB, PBDE, DBP, BBP, DEHP, DIBP, and 0.01% for cadmium, or qualify for an exemption to these limits as defined in the Annexes of Directive 2011/65/EU (RoHS2). Finished electrical and electronic equipment products will be CE marked as required by Directive 2011/65/EU. Components may not be CE marked. Additionally, the part numbers that TE has identified as EU ELV compliant have a maximum concentration of 0.1% by weight in homogenous materials for lead, hexavalent chromium, and mercury, and 0.01% for cadmium, or qualify for an exemption to these limits as defined in the Annexes of Directive 2000/53/EC (ELV). Regarding the REACH Regulation, the information TE provides on SVHC in articles for this part number is based on the latest European Chemicals Agency (ECHA) 'Guidance on requirements for substances in articles' posted at this URL: <https://echa.europa.eu/guidance-documents/guidance-on-reach>

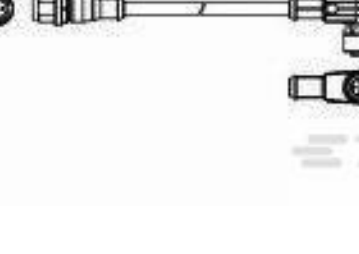
### Compatible Parts



TE Part # CAT-SE594-M11I  
M12 A-CODE MALE STRAIGHT PIGTAIL



TE Part # CAT-SE594-M11V  
M12 A-CODE MS-FR LED DOUBLE ENDED CABLE



TE Part # 2273117-5  
M12 strgt plug to M12 angled socket AA



TE Part # CAT-SE594-M11HH  
M12 A-CODE MALE STRT SINGLE ENDED CABLE

### Customers Also Bought



TE Part #1-2273047-4  
M12 A-CODE FEMALE STRAIGHT PIGTAIL



TE Part #1-2273101-4  
M12 A-CODE FEMALE R/A PIGTAIL



TE Part #2317655-2  
AV25 SPL 3A NO LED FL



TE Part #T4171110502-001  
M12 Panel Mount Wire



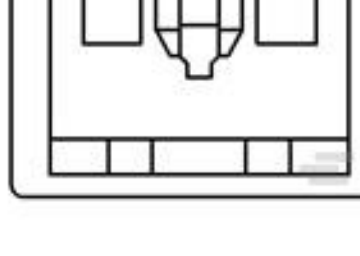
TE Part #TAA753A5501-040  
Fieldbus, DeviceNet M12 A-Code 5p PUR



TE Part #4-603225-0  
AMP-TY HD BLK TY2HDB



TE Part #2325098-4  
MNTG CLIP,ENETSEAL PLUS



TE Part #1-1318954-1  
PL EXII 250 REC HSG 1P NYLON NAT



TE Part #5414265-3  
PLUG, TWIST ON, COML BNC

## Documents

### Product Drawings

[RPC-M12-FS-4CON-PUR-3.0](#)

English

### CAD Files

[3D PDF](#)

3D

Customer View Model

[ENG\\_CVM\\_CVM\\_T4151320004-004\\_A.2d\\_dxf.zip](#)

English

Customer View Model

[ENG\\_CVM\\_CVM\\_T4151320004-004\\_A.3d\\_igs.zip](#)

English

Customer View Model

[ENG\\_CVM\\_CVM\\_T4151320004-004\\_A.3d\\_stp.zip](#)

English

By downloading the CAD file I accept and agree to the [Terms and Conditions](#) of use.

### Datasheets & Catalog Pages

[M8 / M12 Connector System Catalog](#)

English

### Product Specifications

[Application Specification](#)

English