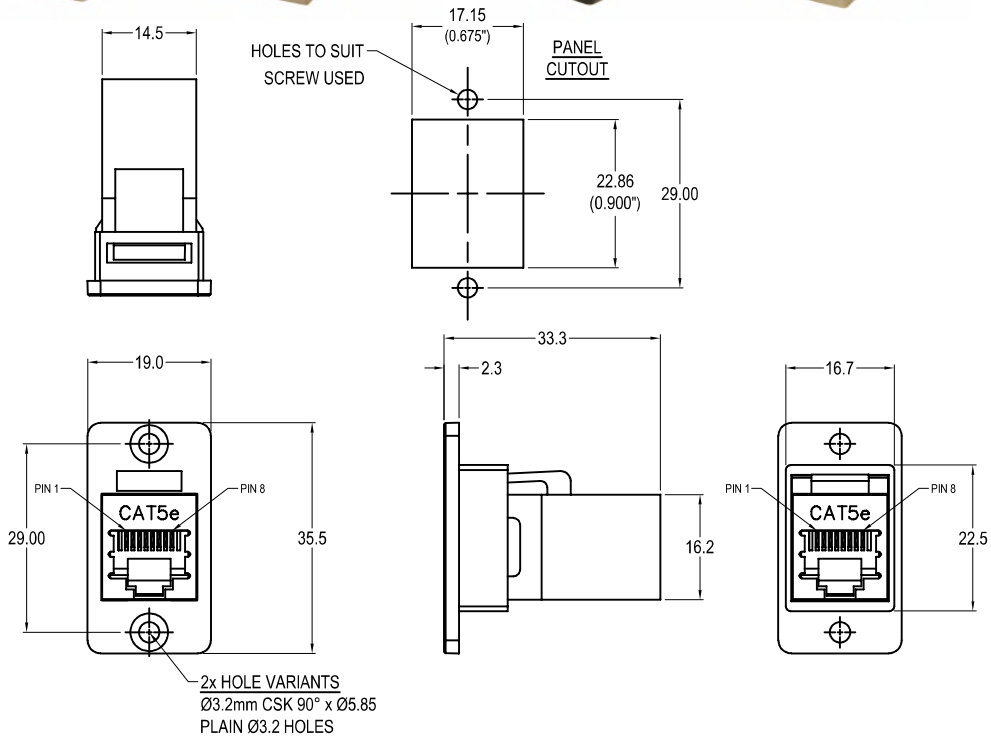


# CLIFF

## SLIM CAT5e RJ45 SHIELDED FRONT MOUNTING METAL FRAME FEEDTHROUGH



### Part No.

- CP30620SM** SLIM FM Cat5e RJ45 Shielded Nickel frame, CSK holes
- CP30620SMB** SLIM FM Cat5e RJ45 Shielded Black metal frame, CSK holes
- CP30620SMX1** SLIM FM Cat5e RJ45 Shielded Nickel frame, Ø3.2 PLAIN holes
- CP30620SMBX1** SLIM FM Cat5e RJ45 Shielded Black metal frame, Ø3.2 PLAIN holes

### Feedthrough Features

- Fits standard rectangular cutout.
- Various hole mounting options.
- No soldering or punch termination. Use standard cable for each connector style.
- Low rear profile.

### General:

Please note: Functionality is affected by cable quality, length and cable wiring configuration.

### Material:

- 1.RJ45 In-Line Coupler: PC/ABS, UL 94V-0
- 2.RJ45 In-Line Coupler Contact: Phosphor Bronze, 3-50 micro inches gold plating over nickel plate.
- 3.PCB: FR4, UL 94V-0
- 4.Frame: Diecast, Nickel or Black plated

### Performance:

- 1.T568A & T568B wiring.
- 2.Meet ISO/IEC 11801 and EN50173
- 3.Meet ANSI/TIA/EIA 568B.2
- 4.Operating temperature: Min -10°C Max +70°C