

# AEGA047NN0000051A000 ✓ ACTIVE

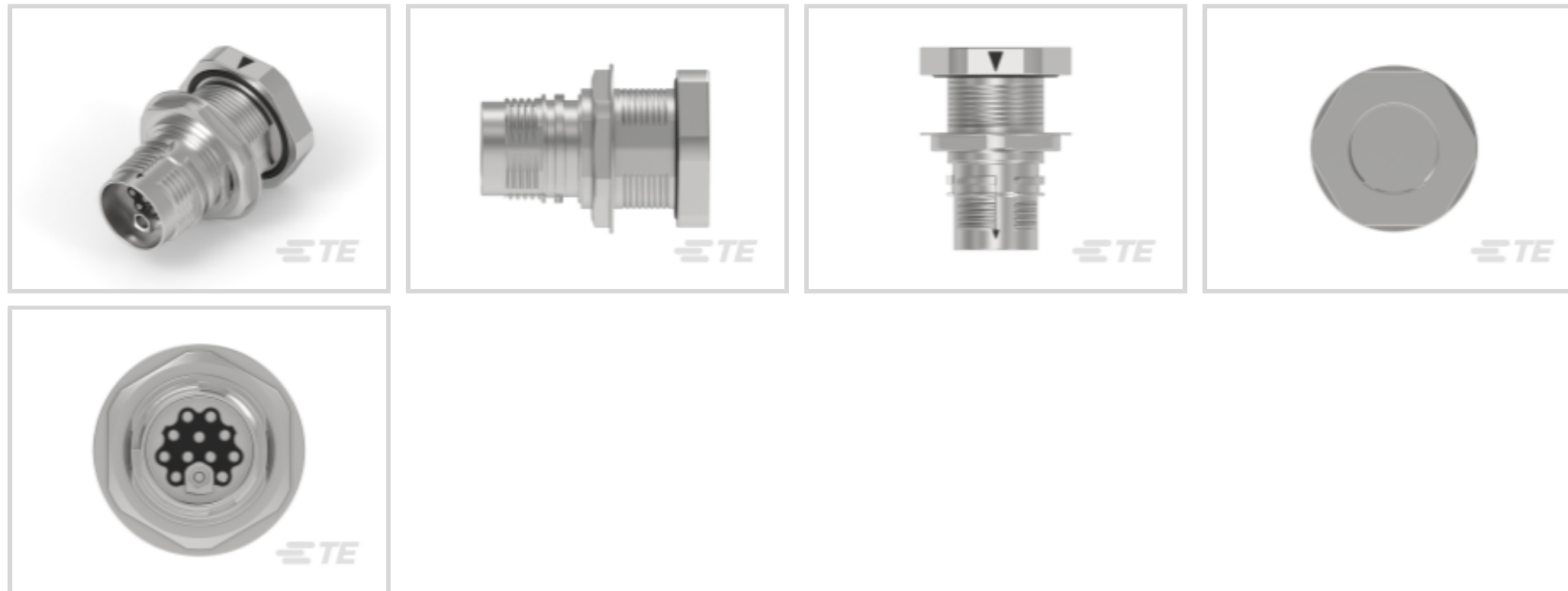
TE Internal #: AEA047N0000051A000

Standard Circular Connectors, Cable-to-Panel, Signal, Motor,  
Electrodeposited Nickel, Zinc Alloy, PBT GF, 23 Shell Size,  
Shielded, Receptacle

[View on TE.com >](#)



Connectors > Circular Connectors > Standard Circular Connectors



Connector System: **Cable-to-Panel**

Sealable: **No**

Circuit Application: **Signal**

Connector Mounting Type: **Motor**

Shell Plating Material: **Electrodeposited Nickel**

## Features

### Product Type Features

Product Type	Connector
Connector System	Cable-to-Panel
Sealable	No
Circular Connector Type	Receptacle
Shell Type	Metal

### Electrical Characteristics

Operating Voltage	32 VAC
-------------------	--------

### Body Features

Environmental Protection	IP67
Shell Plating Material	Electrodeposited Nickel
Shell Base Material	Zinc Alloy
Circular Connector Insulation Material Type	PBT GF

### Mechanical Attachment

Mating Retention Type	Speedtec (Triple Start Threaded)
-----------------------	----------------------------------



Panel Mount Feature Type	Flange with Mounting Holes
--------------------------	----------------------------

Connector Mounting Type	Motor
-------------------------	-------

### Housing Features

Circular Connector Shell Size	23
-------------------------------	----

Alignment Keyed	Uncoded
-----------------	---------

### Usage Conditions

Operating Temperature Range	-20 – 130 °C[-4 – 266 °F]
-----------------------------	---------------------------

### Operation/Application

Durability Rating	500 Cycles
-------------------	------------

Circuit Application	Signal
---------------------	--------

Shielded	Yes
----------	-----

### Industry Standards

UL Flammability Rating	UL 94V-0
------------------------	----------

Approved Standards	UL
--------------------	----

### Product Compliance

[For compliance documentation, visit the product page on TE.com>](#)

EU RoHS Directive 2011/65/EU	Compliant with Exemptions
------------------------------	---------------------------

EU ELV Directive 2000/53/EC	Compliant with Exemptions
-----------------------------	---------------------------

China RoHS 2 Directive MIIT Order No 32, 2016	Restricted Materials Above Threshold
---	--------------------------------------

EU REACH Regulation (EC) No. 1907/2006	Current ECHA Candidate List: JUN 2020 (209) Candidate List Declared Against: JUN 2020 (209) SVHC > Threshold: Pb (3.5% in Component)
--	---

**Article Safe Usage Statements:**

Do not eat, drink or smoke when using this product. Wash thoroughly after handling. Recycle if possible and dispose of the article by following all applicable governmental regulations relevant to your geographic location.

Halogen Content	Not Yet Reviewed for halogen content
-----------------	--------------------------------------

Solder Process Capability	Not reviewed for solder process capability
---------------------------	--

#### Product Compliance Disclaimer

This information is provided based on reasonable inquiry of our suppliers and represents our current actual knowledge based on the information they provided. This information is subject to change. The part numbers that TE has identified as EU RoHS compliant have a maximum concentration of 0.1% by weight in homogenous materials for lead, hexavalent chromium, mercury, PBB, PBDE, DBP, BBP, DEHP, DIBP, and 0.01% for cadmium, or qualify for an exemption to these limits as defined in the Annexes of Directive 2011/65/EU (RoHS2). Finished electrical and electronic equipment products will be CE marked as required by Directive 2011/65/EU. Components may not be CE marked. Additionally, the part numbers that TE has identified as EU ELV compliant have a maximum concentration of 0.1% by weight in homogenous

materials for lead, hexavalent chromium, and mercury, and 0.01% for cadmium, or qualify for an exemption to these limits as defined in the Annexes of Directive 2000/53/EC (ELV). Regarding the REACH Regulation, the information TE provides on SVHC in articles for this part number is based on the latest European Chemicals Agency (ECHA) 'Guidance on requirements for substances in articles' posted at this URL: <https://echa.europa.eu/guidance-documents/guidance-on-reach>

## Compatible Parts



TE Part # ASA046N0085050A000  
617 PLUG, SPEEDTEC

TE Part # C0-0235-000-000  
DIGITAL CRIMPING TOOL, SMALL

TE Part # C0-0101-000-000  
CRIMPING TOOL SMALL WITH POSITIONER

## Customers Also Bought



TE Part #325803-1  
AMPOWER TERMINAL 1 STUD HOLE



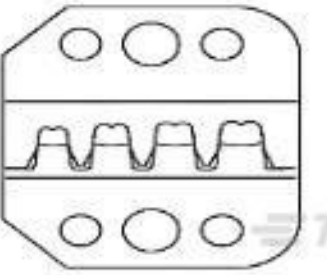
TE Part #6609987-4  
CORCOM SRB SERIES IEC FILTERED INLETS



TE Part #165414  
P.G.RING DIN



TE Part #165412  
PLASTI-GRIP 4-6MM RING M4



TE Part #58707-2  
PROCRIMP MINI-U-MNL2 DIE



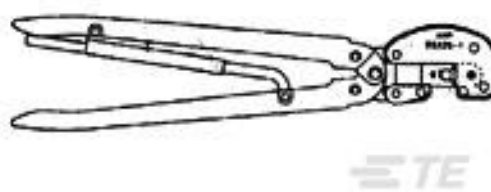
TE Part #ASA021N00390100000  
623 PLUG, SPEEDTEC



TE Part #ASA055N00410235000  
623 PLUG



TE Part #EEA002N00000013000  
615 ITEC RECEPTACLE



TE Part #90276-2  
HHHT PIDG PG FASTON 12-10



TE Part #1579001-3  
DIE UMNL 4-5MM2

## Documents

[CAD Files](#)

[3D PDF](#)



3D

**Customer View Model**

[ENG\\_CVM\\_CVM\\_AEA047N0000051A000\\_A.2d\\_dxf.zip](#)

English

**Customer View Model**

[ENG\\_CVM\\_CVM\\_AEA047N0000051A000\\_A.3d\\_igs.zip](#)

English

**Customer View Model**

[ENG\\_CVM\\_CVM\\_AEA047N0000051A000\\_A.3d\\_stp.zip](#)

English

By downloading the CAD file I accept and agree to the [Terms and Conditions](#) of use.

---

**Datasheets & Catalog Pages**

[AEA047N0000051A000](#)

English

---

**Instruction Sheets**

[Instruction Sheet \(non U.S.\)](#)

English