



TE Internal #: BGC091N00001116000

Standard Circular Connectors, Cable-to-Panel, Power, Motor, Blue Chromium, Zinc Alloy, PBT+PA, 23 Shell Size, Shielded, Receptacle, Metal

[View on TE.com >](#)

Connectors > Circular Connectors > Standard Circular Connectors



Connector System: **Cable-to-Panel**

Sealable: **No**

Circuit Application: **Power**

Connector Mounting Type: **Motor**

Shell Plating Material: **Blue Chromium**

Features

Product Type Features

Product Type	Connector
Connector System	Cable-to-Panel
Sealable	No
Circular Connector Type	Receptacle
Shell Type	Metal

Electrical Characteristics

Operating Voltage	250 VAC, 630 VAC
-------------------	------------------

Body Features

Environmental Protection	IP67
Shell Plating Material	Blue Chromium
Shell Base Material	Zinc Alloy
Circular Connector Insulation Material Type	PBT+PA

Mechanical Attachment

Mating Retention Type	Speedtec (Triple Start Threaded)
-----------------------	----------------------------------



Panel Mount Feature Type	Flange with Mounting Holes
--------------------------	----------------------------

Connector Mounting Type	Motor
-------------------------	-------

Housing Features

Circular Connector Shell Size	23
-------------------------------	----

Usage Conditions

Operating Temperature Range	-20 – 130 °C[-4 – 266 °F]
-----------------------------	---------------------------

Operation/Application

Durability Rating	500 Cycles
-------------------	------------

Circuit Application	Power
---------------------	-------

Shielded	Yes
----------	-----

Industry Standards

UL Flammability Rating	UL 94V-0
------------------------	----------

Approved Standards	UL
--------------------	----

Product Compliance

[For compliance documentation, visit the product page on TE.com>](#)

EU RoHS Directive 2011/65/EU	Compliant with Exemptions
------------------------------	---------------------------

EU ELV Directive 2000/53/EC	Compliant with Exemptions
-----------------------------	---------------------------

China RoHS 2 Directive MIIT Order No 32, 2016	Restricted Materials Above Threshold
---	--------------------------------------

EU REACH Regulation (EC) No. 1907/2006	<p>Current ECHA Candidate List: JUN 2020 (209)</p> <p>Candidate List Declared Against: JUN 2020 (209)</p> <p>SVHC > Threshold:</p> <p>Pb (3.5% in Component)</p> <p>Article Safe Usage Statements: Do not eat, drink or smoke when using this product. Wash thoroughly after handling. Recycle if possible and dispose of the article by following all applicable governmental regulations relevant to your geographic location.</p>
--	--

Halogen Content	Not Yet Reviewed for halogen content
-----------------	--------------------------------------

Solder Process Capability	Not reviewed for solder process capability
---------------------------	--

Product Compliance Disclaimer

This information is provided based on reasonable inquiry of our suppliers and represents our current actual knowledge based on the information they provided. This information is subject to change. The part numbers that TE has identified as EU RoHS compliant have a maximum concentration of 0.1% by weight in homogenous materials for lead, hexavalent chromium, mercury, PBB, PBDE, DBP, BBP, DEHP, DIBP, and 0.01% for cadmium, or qualify for an exemption to these limits as defined in the Annexes of Directive 2011/65/EU (RoHS2). Finished electrical and electronic equipment products will be CE marked as required by Directive 2011/65/EU. Components may not be CE marked. Additionally, the part numbers that TE has identified as EU ELV compliant have a maximum concentration of 0.1% by weight in homogenous materials for lead, hexavalent chromium, and mercury, and 0.01% for cadmium, or qualify for an exemption to these limits as defined in the Annexes of Directive 2000/53/EC (ELV). Regarding the REACH Regulation, the information TE provides



on SVHC in articles for this part number is based on the latest European Chemicals Agency (ECHA) 'Guidance on requirements for substances in articles' posted at this URL: <https://echa.europa.eu/guidance-documents/guidance-on-reach>

Compatible Parts



TE Part # BSA109N00420136000
923 PLUG, SHORT, SPEEDTEC



TE Part # BSA082N00420100000
923 PLUG, SPEEDTEC

TE Part # C0-0003-000-000
POSITIONING INSERT FOR 1 MM CONTACTS

TE Part # C0-0236-000-000
DIGITAL CRIMPING TOOL, MID SIZE

TE Part # C0-0201-000-000
CRIMPING TOOL MID-SIZE

TE Part # C0-0004-000-000
POSITIONING INSERT FOR 2 MM CONTACTS

TE Part # C0-0235-000-000
DIGITAL CRIMPING TOOL, SMALL

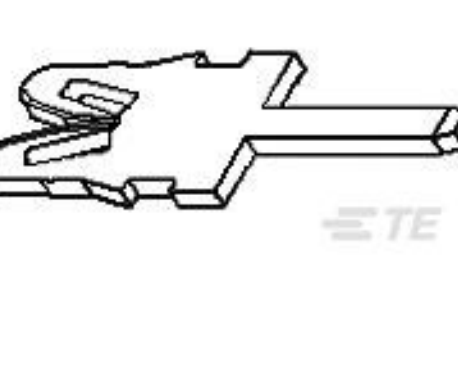
TE Part # C0-0252-000-000
POSITIONING INSERT FOR 1 MM CONTACTS

TE Part # C0-0101-000-000
CRIMPING TOOL SMALL WITH POSITIONER

Customers Also Bought



TE Part # 324448
AMPPOWER PARALLEL SPLICE



TE Part # 1601138-1
151-005-000=TAB,3.3X0.8,MEDSMZ



TE Part # 4-1601009-4
PC TAB STANDARD SIAMEZE



TE Part # 1-1414631-0
RESOLVER V23401-S1001-B101



TE Part #292171-2
CT Post Header Assembly: Part.
Shrouded



TE Part #ASA020N00690235000
623 plug



TE Part #2358691-1
RESOLVER V23401-T1071-B101



TE Part #BKA145N00480200000
923 EXTENSION, SPEEDTEC-READY



TE Part #AEA175N00000201000
623 RECEPTACLE, SPEEDTEC-READY



TE Part #1601009-4
PC TAB STANDARD SIAMEZE

Documents

Product Drawings

923 RECEPTACLE, ANGLED, ROTATABLE

English

CAD Files

3D PDF

3D

Customer View Model

[ENG_CVM_CVM_BGC091N00001116000_A.2d_dxf.zip](#)

English

Customer View Model

[ENG_CVM_CVM_BGC091N00001116000_A.3d_igs.zip](#)

English

Customer View Model

[ENG_CVM_CVM_BGC091N00001116000_A.3d_stp.zip](#)

English

By downloading the CAD file I accept and agree to the [Terms and Conditions](#) of use.

Datasheets & Catalog Pages

BGC091N00001116000

English

Instruction Sheets

Instruction Sheet (non U.S.)

English