



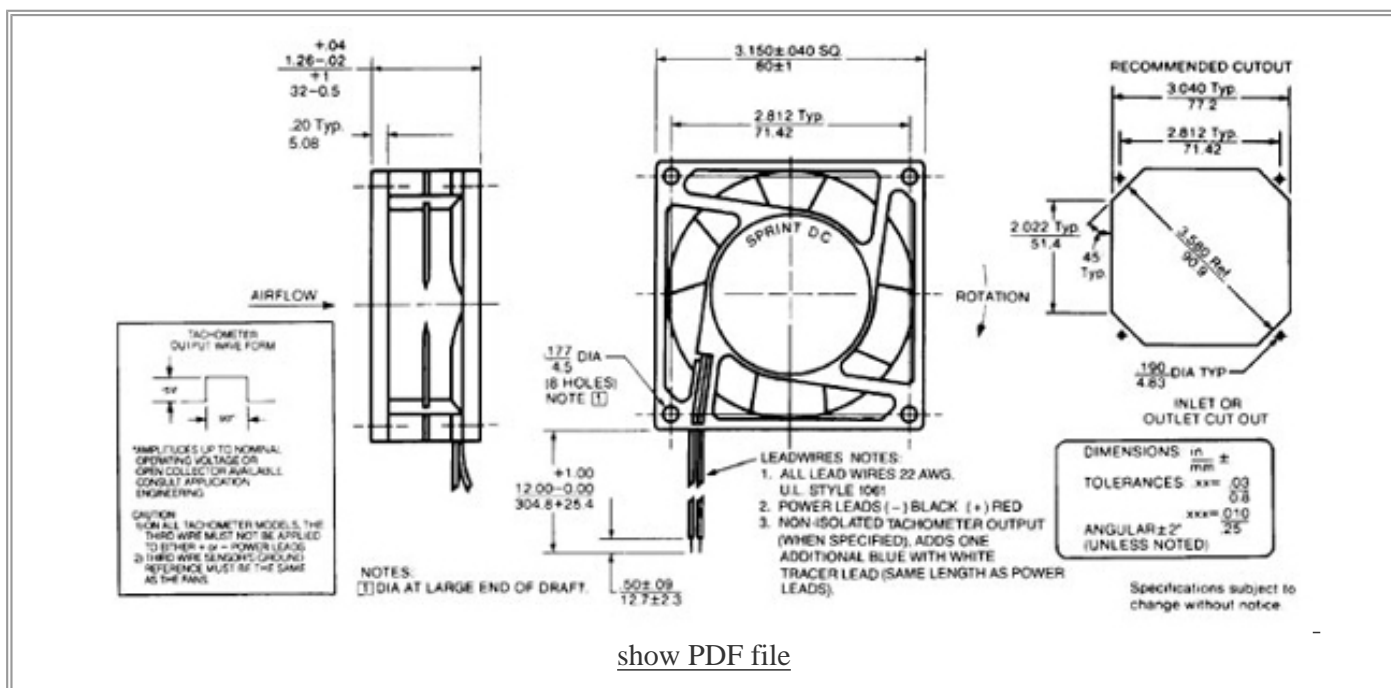
## Sprint (DC Fan)

COMAIR ROTRON PART NUMBER: **030613**  
 COMAIR ROTRON MODEL NUMBER: **ST12K3**



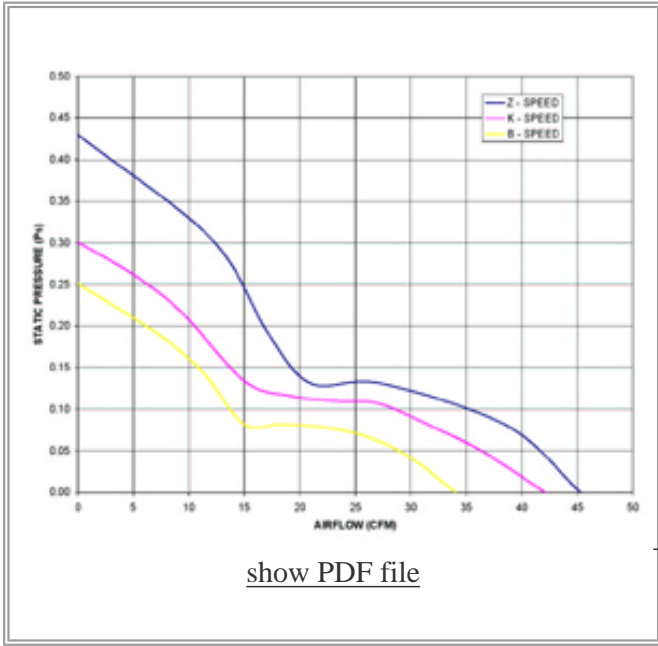
MOTOR	
Rated Voltage:	12
Operating Voltage Range:	6 - 14
Running Current: 50Hz   60Hz (amps)	
Locked Rotor Current: (amps)	1.25
Rated Power: 50Hz   60Hz (watts)	
Nominal Speed: 50Hz   60Hz (rpm)	

MECHANICAL	
Dimensions:	80mm x 32mm (3.15in x 1.25in)
Bearing Type:	Ball
Motor Base:	Polycarbonate
Propeller:	Polypropylene







[show PDF file](#)

### NOTES



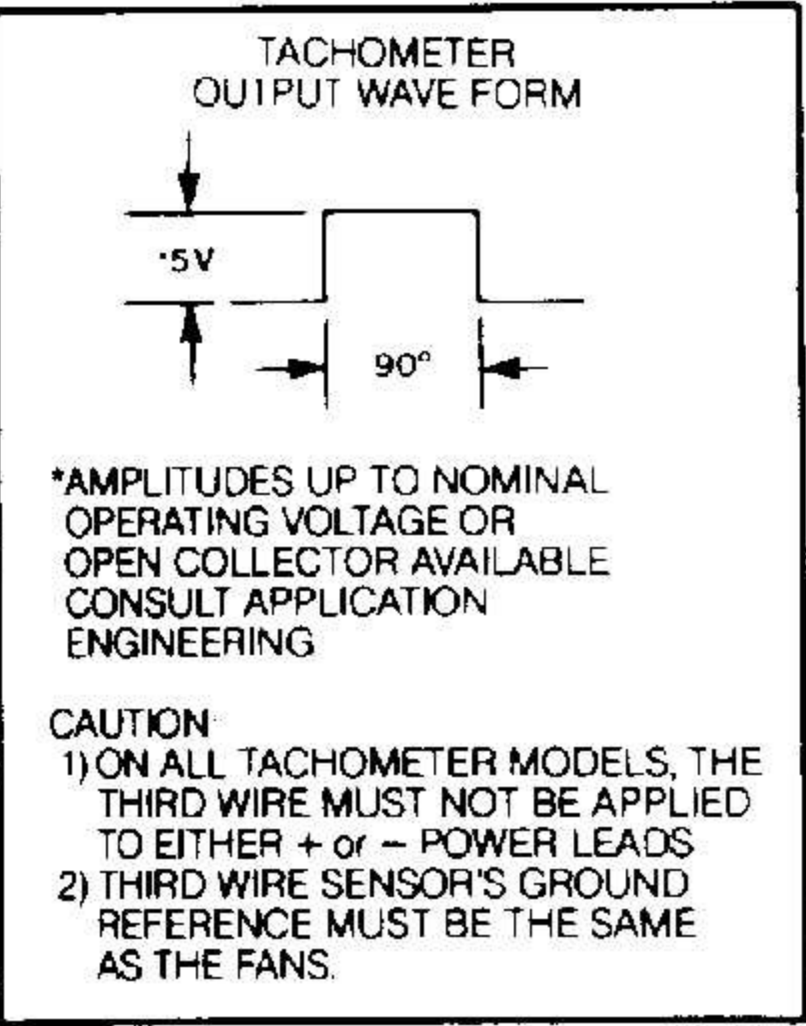
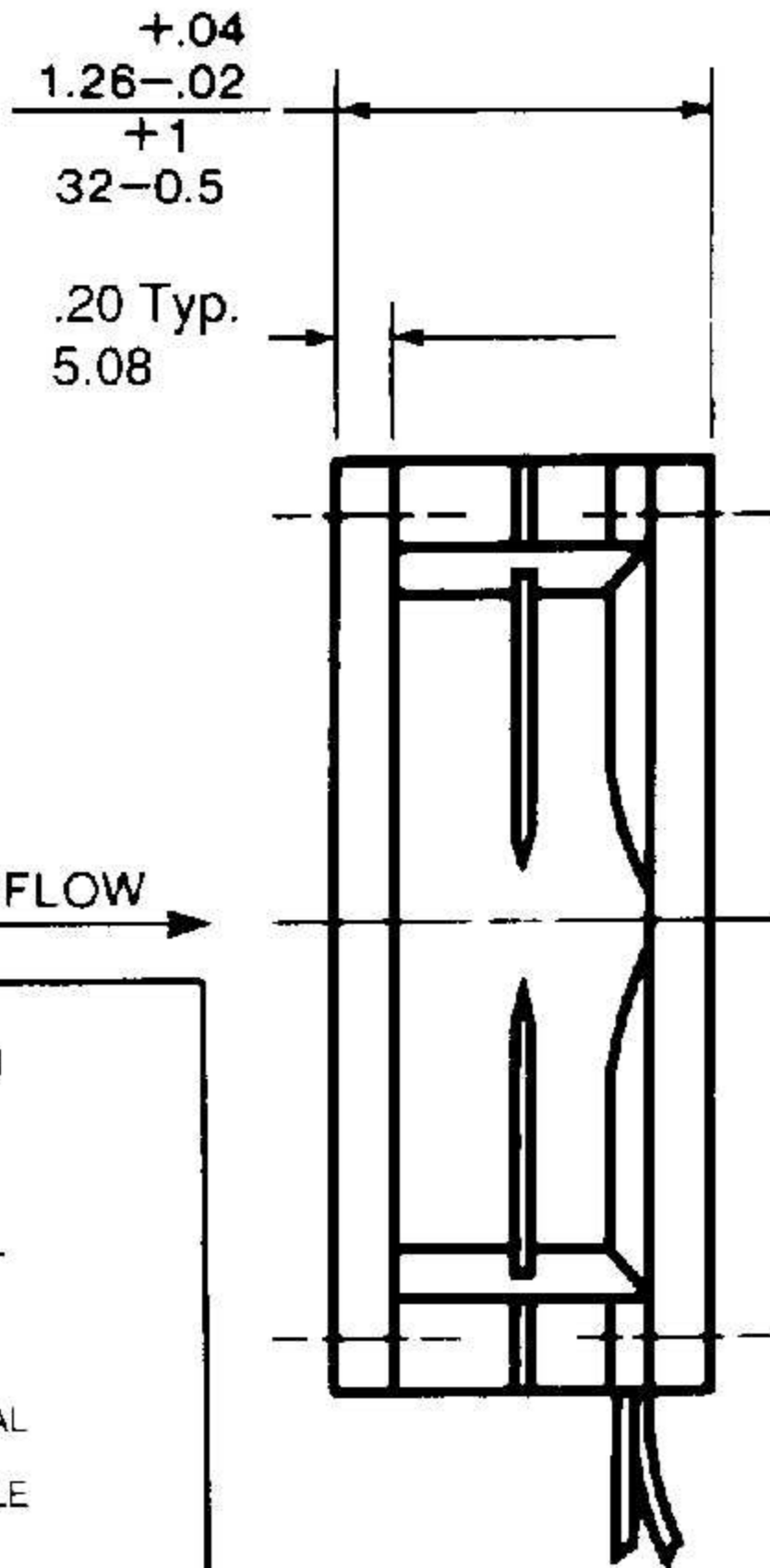
PERFORMANCE CHARACTERISTICS	
Air Flow: (CFM)	40
Static Pressure:	.301

TERMINATION	
Leadwires:	12" Leadwires

SAFETY			
			

All product names are used under license and are trademarks or registered trademarks of Comair Rotron, Inc.

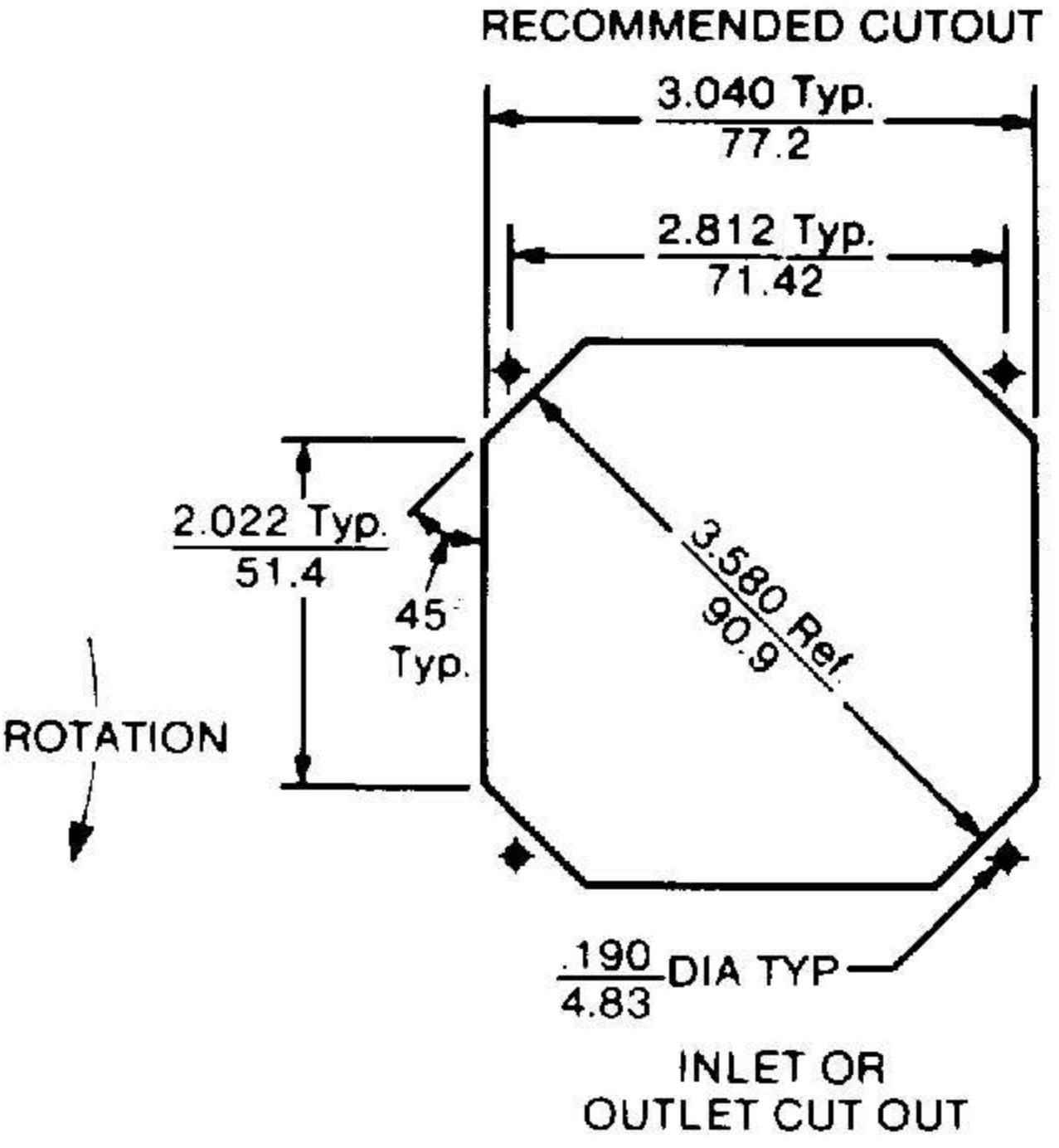
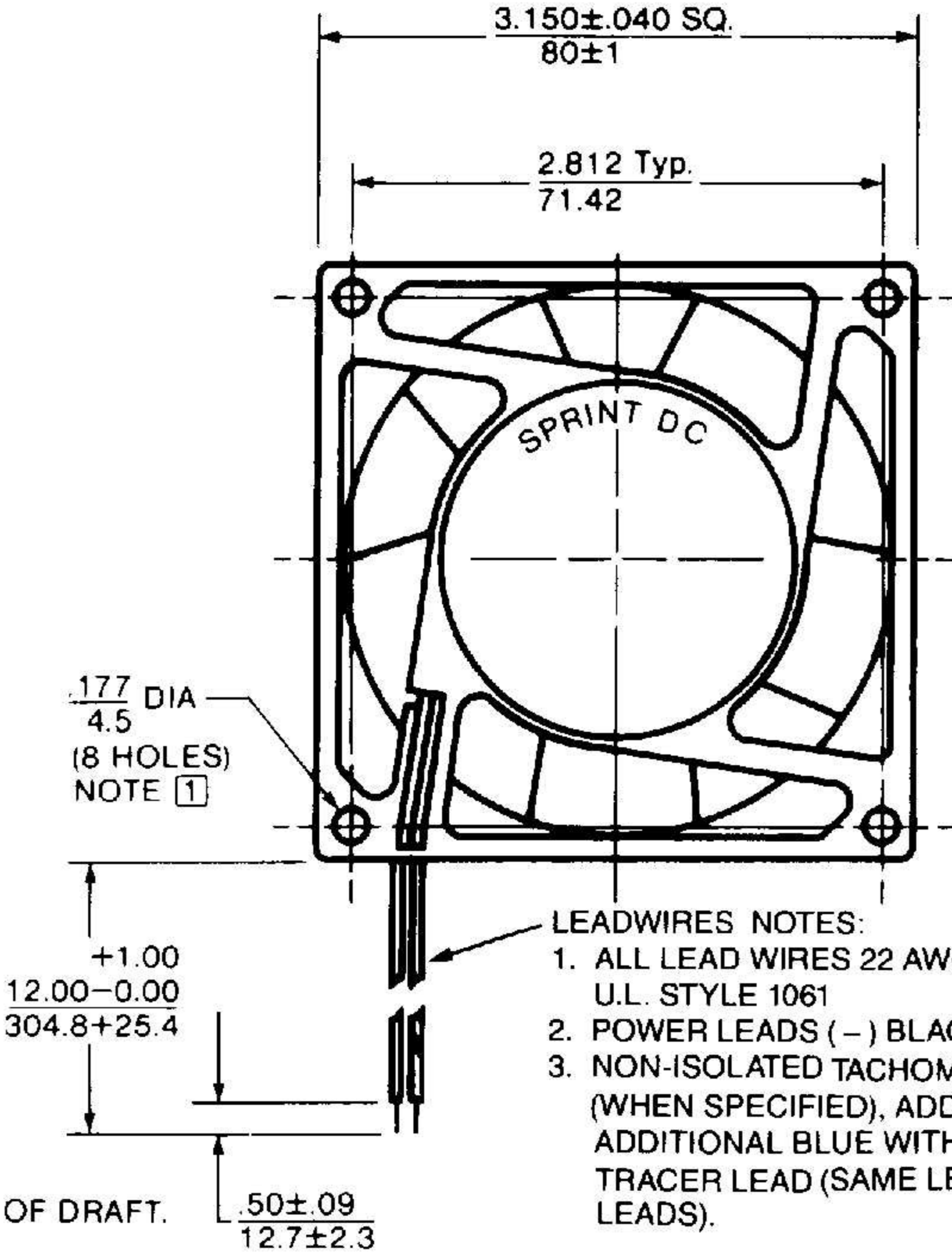
[New Search](#)



**NOTES:**

① DIA AT LARGE END OF DRAFT.

$\frac{.50 \pm .09}{12.7 \pm 2.3}$



**DIMENSIONS:**  $\frac{\text{in}}{\text{mm}} \pm$

**TOLERANCES:** .xx =  $\frac{.03}{0.8}$

.xxx =  $\frac{.010}{.25}$

**ANGULAR**  $\pm 2^\circ$  (UNLESS NOTED)

Specifications subject to change without notice.