



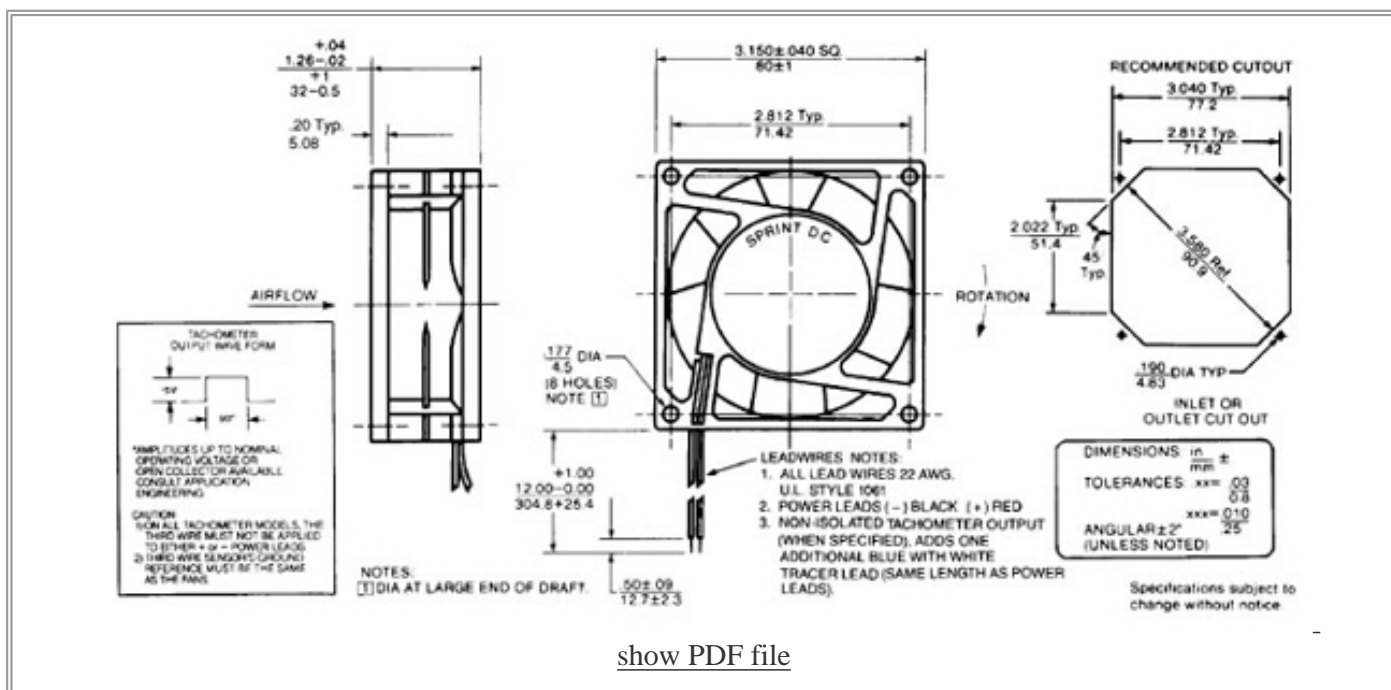
Sprint (DC Fan)

COMAIR ROTRON PART NUMBER: **030614**
 COMAIR ROTRON MODEL NUMBER: **ST24K3**



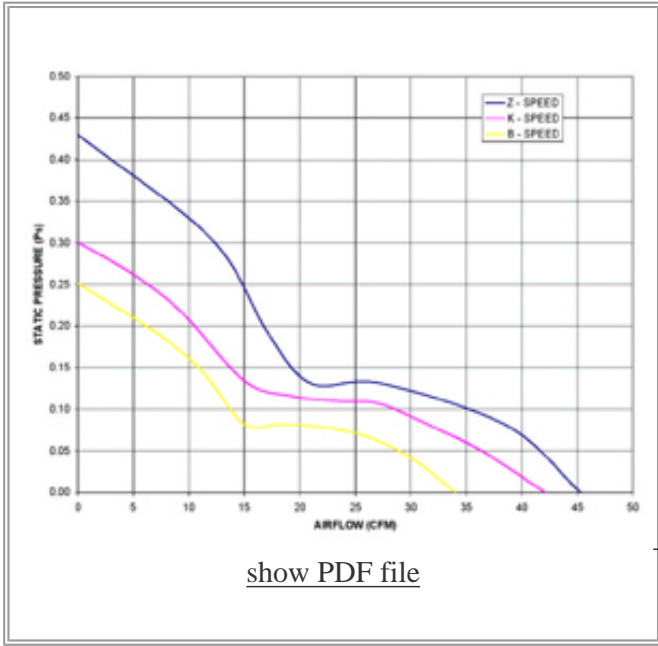
MOTOR	
Rated Voltage:	24
Operating Voltage Range:	12 - 28
Running Current: (amps)	0.19
Locked Rotor Current: (amps)	0.65
Rated Power: (watts)	4.5
Nominal Speed: (rpm)	4200

MECHANICAL	
Dimensions:	80mm x 32mm (3.15in x 1.25in)
Bearing Type:	Ball
Motor Base:	Polycarbonate
Propeller:	Polypropylene



[show PDF file](#)

NOTES



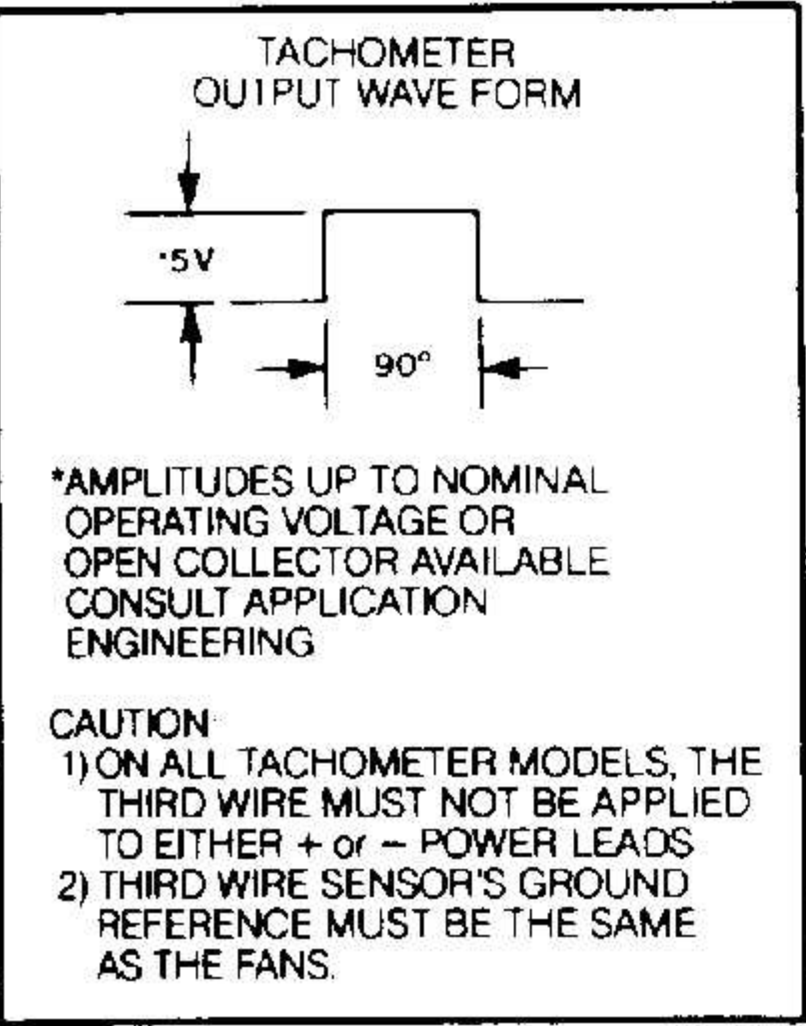
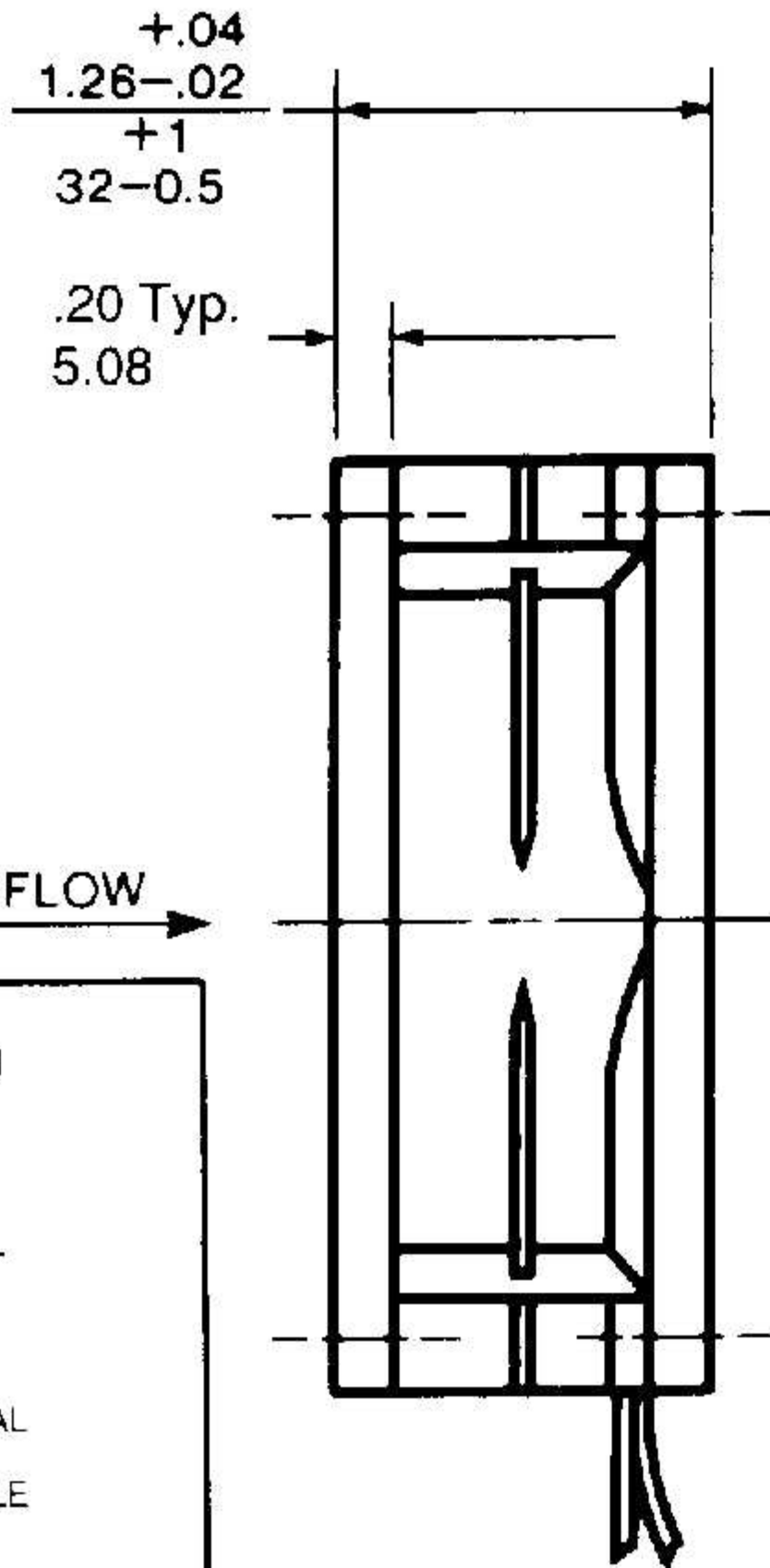
PERFORMANCE CHARACTERISTICS	
Air Flow: (CFM)	40
Static Pressure:	.301

TERMINATION	
Leadwires:	12" Leadwires

SAFETY	

All product names are used under license and are trademarks or registered trademarks of Comair Rotron, Inc.

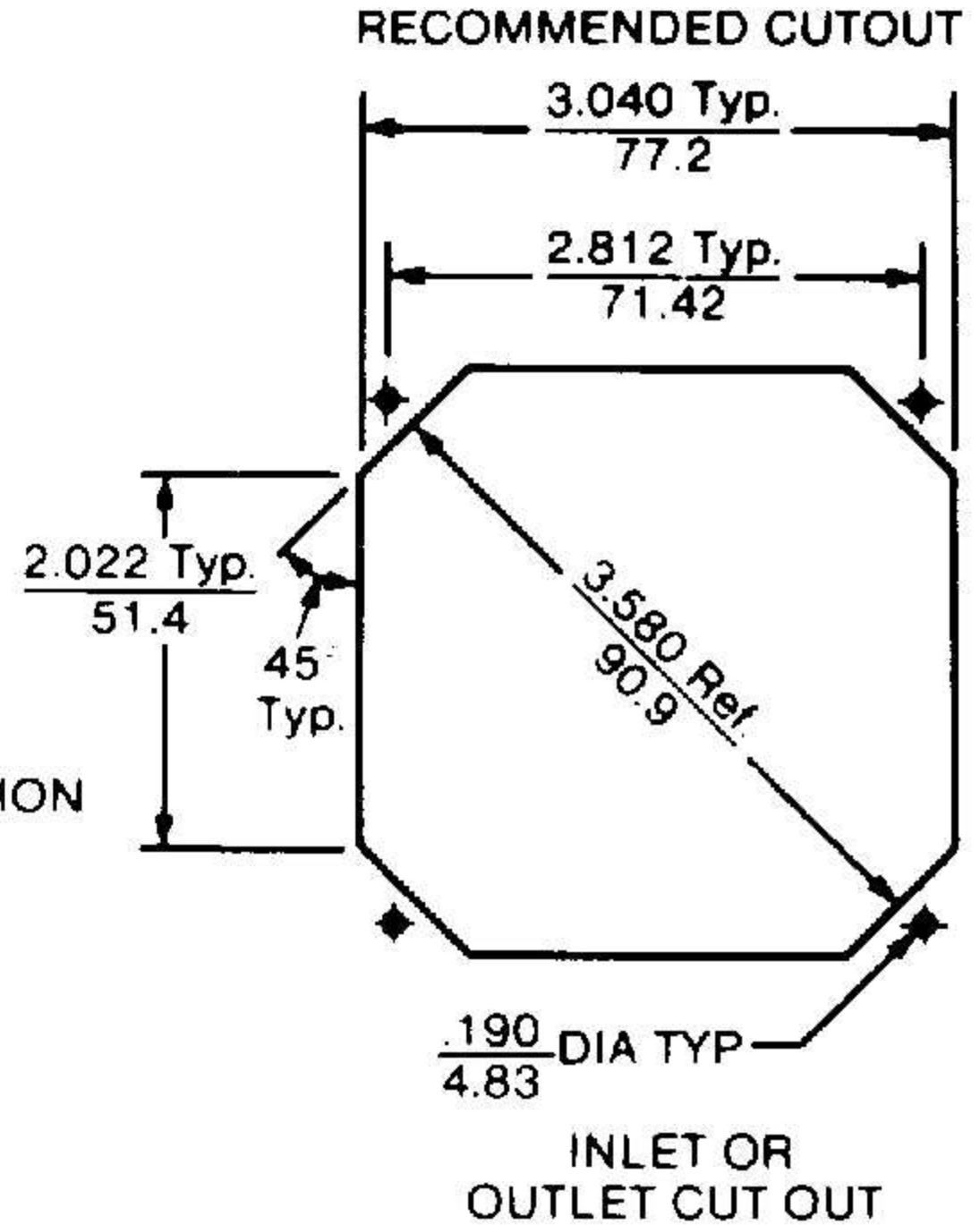
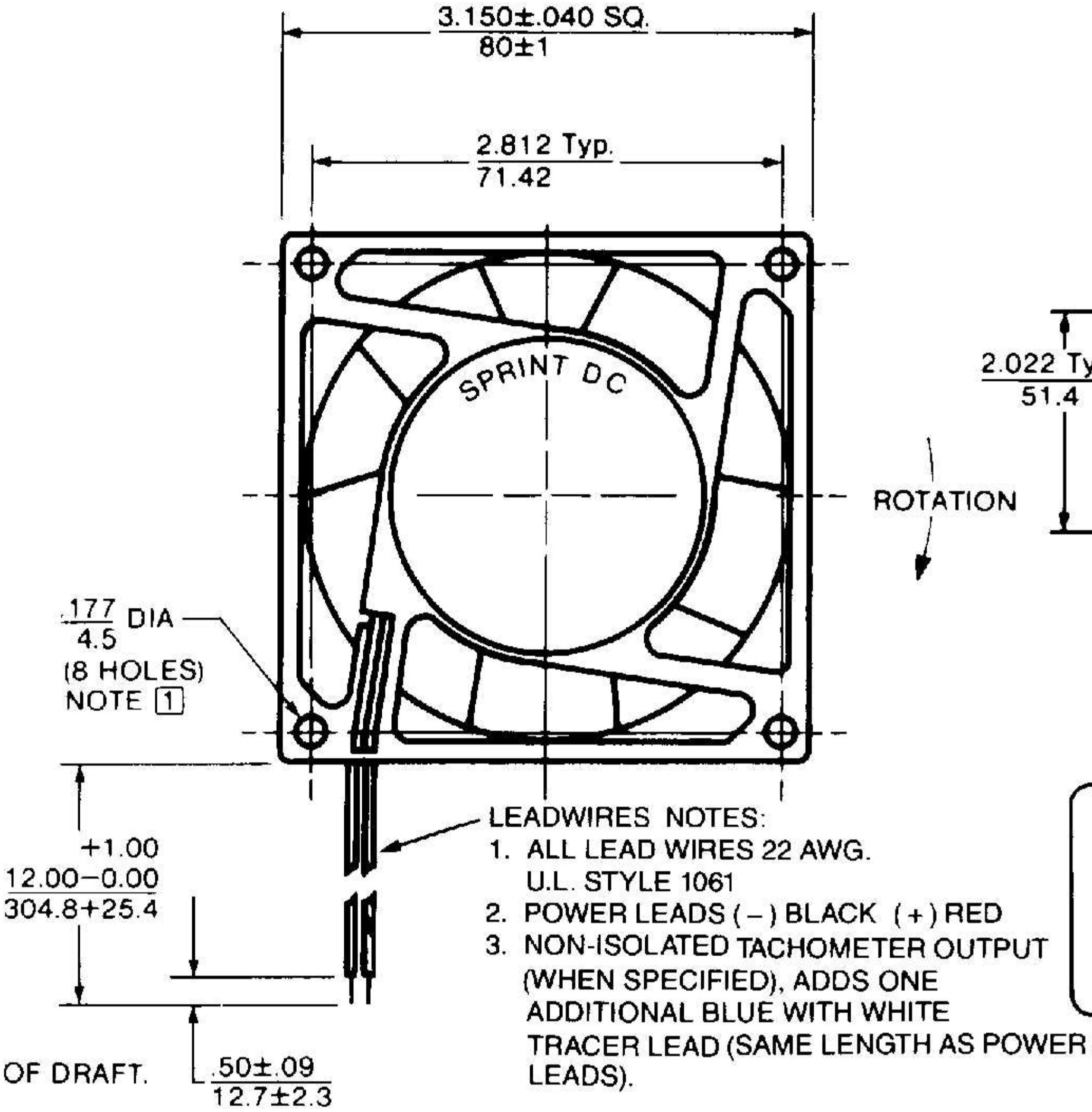
[New Search](#)



NOTES:

① DIA AT LARGE END OF DRAFT.

$\frac{.50 \pm .09}{12.7 \pm 2.3}$



DIMENSIONS: $\frac{\text{in}}{\text{mm}} \pm$

TOLERANCES: .xx = $\frac{.03}{0.8}$

.xxx = $\frac{.010}{.25}$

ANGULAR $\pm 2^\circ$ (UNLESS NOTED)

Specifications subject to change without notice.