

### Features

- ◆ Ultra compact, fully encapsulated plastic case
- ◆ Single-, dual- and triple output models
- ◆ 2 package styles:
  - with screw terminal block for chassis mount
  - with solder pins for PCB mount
- ◆ DIN-rail mounting adaptor (option)
- ◆ Universal Input 85-264VAC, 50/60Hz
- ◆ Safety Class II product
- ◆ Approved to EN/UL 60950-1 and EN/UL 60601-1 medical safety standard
- ◆ EMI according to EN 55022, class B and FCC level B
- ◆ Short circuit and overload protection
- ◆ Lead-free design – RoHS compliant
- ◆ 3-year product warranty



The TMT series power Modules are AC/DC power supplies in an ultra compact fully encapsulated module. They feature easy installation with screw terminals and optional DIN-rail mounting adaptor or direct PCB mounting with solder pins. Compliance with international safety and EMC standards qualify these products for worldwide markets. For application in medical instrumentation, the modules are also approved to the EN/UL 60601-1 safety standard.

High reliability is provided by use of industrial quality grade components and conservative temperature specifications. These AC/DC modules offer an interesting power supply solution for many space critical applications in commercial and industrial electronic equipment.

### Single Output Models

Order Code		Output Power max.	Output 1		
PCB-Mount with Solder Pins	Chassis Mount with Screw Terminal Block				
TMT 10105 TMT 10112 TMT 10115 TMT 10124		10 Watt	5 VDC/2000 mA 12 VDC/840 mA 15 VDC/670 mA 24 VDC/420 mA		
TMT 15105 TMT 15112 TMT 15115 TMT 15124	TMT 15105C TMT 15112C TMT 15115C TMT 15124C		15 Watt	5 VDC/3000 mA 12 VDC/1250 mA 15 VDC/1000 mA 24 VDC/625 mA	
TMT 30105 TMT 30112 TMT 30115 TMT 30124	TMT 30105C TMT 30112C TMT 30115C TMT 30124C			30 Watt	5 VDC/6000 mA 12 VDC/2500 mA 15 VDC/2000 mA 24 VDC/1250 mA
TMT 50105 TMT 50112 TMT 50115 TMT 50124 TMT 50148	TMT 50105C TMT 50112C TMT 50115C TMT 50124C TMT 50148C				50 Watt

### Dual- and Triple Output Models

Order Code		Output Power max.	Output 1	Output 2	Output 3
PCB-Mount with Solder Pins	Chassis Mount with Screw Terminal Block				
TMT 15212 TMT 15215	TMT 15212C TMT 15215C	15 Watt	+12 VDC/625 mA +15 VDC/500 mA	-12 VDC/625 mA -15 VDC/500 mA	
TMT 30212 TMT 30215 TMT 30252 TMT 30512 TMT 30515 TMT 30503 TMT 30505	TMT 30212C TMT 30215C TMT 30252C TMT 30512C TMT 30515C		30 Watt	+12 VDC/1250 mA +15 VDC/1000 mA +5 VDC/4500 mA +5 VDC/4500 mA +5 VDC/4500 mA +3.3 VDC/6000 mA +5 VDC/5000 mA	-12 VDC/1250 mA -15 VDC/1000 mA +12 VDC/1200 mA +12 VDC/1000 mA +15 VDC/500 mA +5 VDC/1500 mA +3.3 VDC/1000 mA

### Input Specifications

Input voltage range	85 – 264 VAC 120 – 370 VDC
Input frequency	47 – 63 Hz
Input current full load	115 VAC/ 230 VAC 10 watt models: 210 mA/ 140 mA typ. 15 watt models: 280 mA/ 180 mA typ. 30 watt models: 570 mA/ 360 mA typ. 50 watt models: 870 mA/ 540 mA typ.
Inrush current	115 VAC/ 230 VAC 24 A/ 36 A
External input fuse required (recommended values)	10-30 watt models: 2.0 A slow blow 50 watt models: 3.15 A slow blow

### Output Specifications

Voltage set accuracy	± 2 %
Regulation	- Input variation: 20 mV max. - Load variation: 50 mV max. (single output models 0-100%) 500 mV max. (dual output models (min. load 10%))
Ripple and noise (20MHz bandwidth)	150 mVpk-pk max.
Overload protection by current limit	>105 % Inom. automatic recovery (long term short circuit operation may cause damage to the unit)
Capacitive load	10'000 µF max.
Rise time	200 ms typ.
Hold-up time	115 VAC/ 230 VAC 15 watt models: 25 ms/ 130 ms min. other models: 17 ms/ 93 ms min.

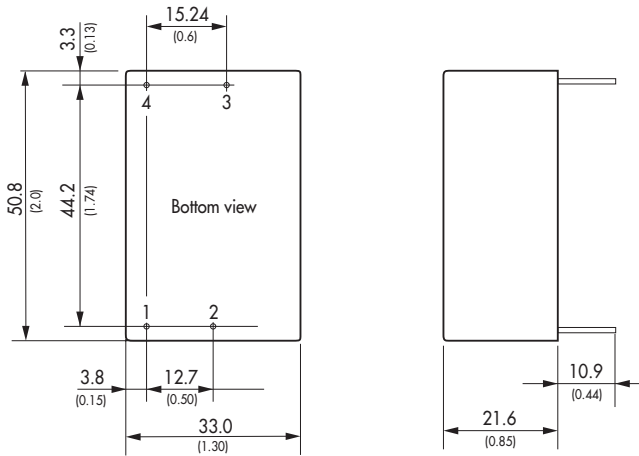
All specifications valid at nominal input voltage, full load and +25°C after warm-up time unless otherwise stated.

**General Specifications**

Temperature ranges	– Operating – Storage (non operating)	–25 °C to +70 °C max. –25 °C to +85 °C
Derating		2.5 %/K above +50 °C
Temperature coefficient		0.02 %/K
Humidity (non condensing)		85 % rel. H max.
Efficiency		83 % typ.
Isolation voltage	– Input/Output	4'000 VAC
Isolation resistance	– Input/Output	100 MOhm (500 VDC)
Electromagnetic compatibility (EMC), Emissions		EN 55022, level B, FCC Part 15 level B UL/EN 60601-1-2 (for medical equipment)
Electromagnetic compatibility (EMC), Immunity	– Electrostatic discharge ESD – RF field susceptibility – Electrical fast transients / bursts on mains line – Surge – Voltage sags	IEC/EN 60601-1-2 IEC/EN 61000-4-2, 8 kV/8 kV IEC/EN 61000-4-3, 3 V/m IEC/EN 61000-4-4, 2 kV IEC/EN 61000-4-5, 1 kV/2 kV IEC/EN 61000-4-11
Safety Class II		to IEC/EN 60536
Safety standards	– Information technology equipment  – Medical equipment	IEC/EN 60950-1, UL 60950-1, CSA-C22.2 No. 60950-1-03 IEC/EN 60601-1 ed.2, UL 60601-1
Safety approvals (TMT 50, TMT 10 and triple output models pending)	– CB certificate for IEC 60950-1  – CB certificate for IEC 60601-1  – UL approvals	TMT 15 models: <a href="http://www.tracopower.com/products/tmf15_CB60950.pdf">www.tracopower.com/products/tmf15_CB60950.pdf</a> TMT 30 models: <a href="http://www.tracopower.com/products/tmf30_CB60950.pdf">www.tracopower.com/products/tmf30_CB60950.pdf</a> TMT 15 models: <a href="http://www.tracopower.com/products/tmf15_CB60601.pdf">www.tracopower.com/products/tmf15_CB60601.pdf</a> TMT 30 models: <a href="http://www.tracopower.com/products/tmf30_CB60601.pdf">www.tracopower.com/products/tmf30_CB60601.pdf</a> UL/cUL 60950-1 and UL/cUL 60601 <a href="http://www.ul.com">www.ul.com</a> -> certifications -> File: E141988
Reliability /calculated MTBF (MIL-HDBK-217F ground benign)		tba.
Environment	– Vibration  – Shock	3 axes, sine sweep, 0.5 mm, 10–55Hz, 1 oct. / min, 30 min. 20 g (3 directions each 3 times)
Soldering temperature		265 °C max / 10 sec

**Outline Dimensions**

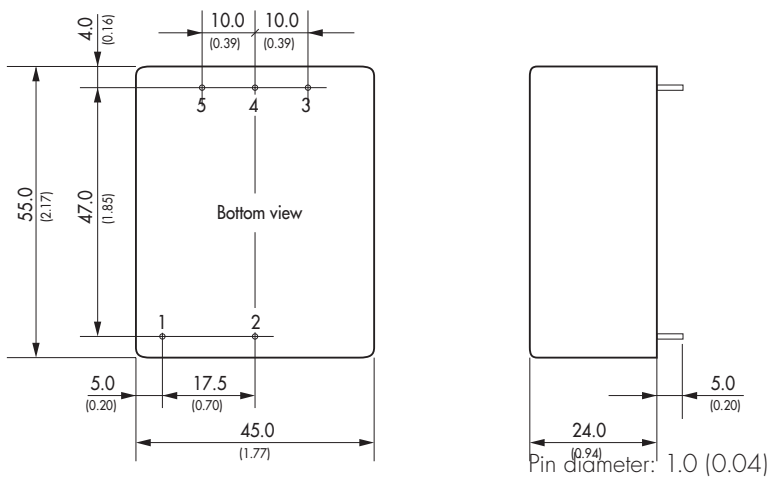
**TMT 10 models**



Connection	
Pin	
1	AC in
2	AC in
3	-V out
4	+V out

Weight: 52 g (1.8 oz)

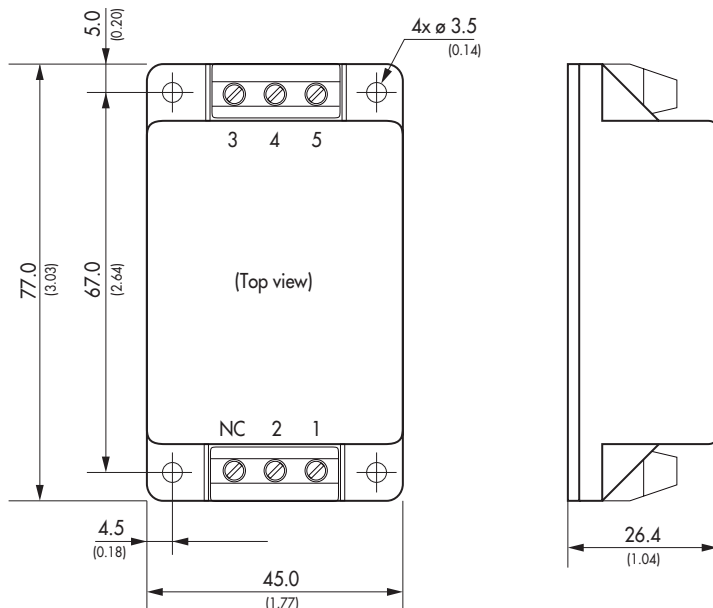
**TMT 15 models with solder pins**



Weight: 75 g (2.6 oz)

Connection		
Pin	Single	Dual
1	AC in	AC in
2	AC in	AC in
3	-V out	-V out
4	No pin/con	Common
5	+V out	+V out

**TMT 15C models with screw terminal block**

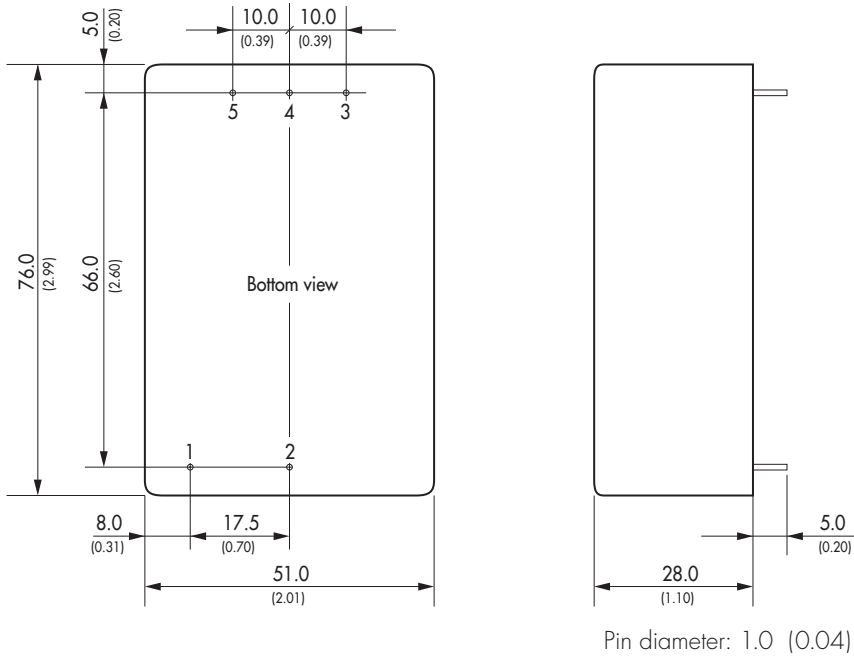


Weight: 90 g (3.2oz)

Dimensions in [mm], ( ) = Inches  
 Tolerances = 0.5 (0.02)

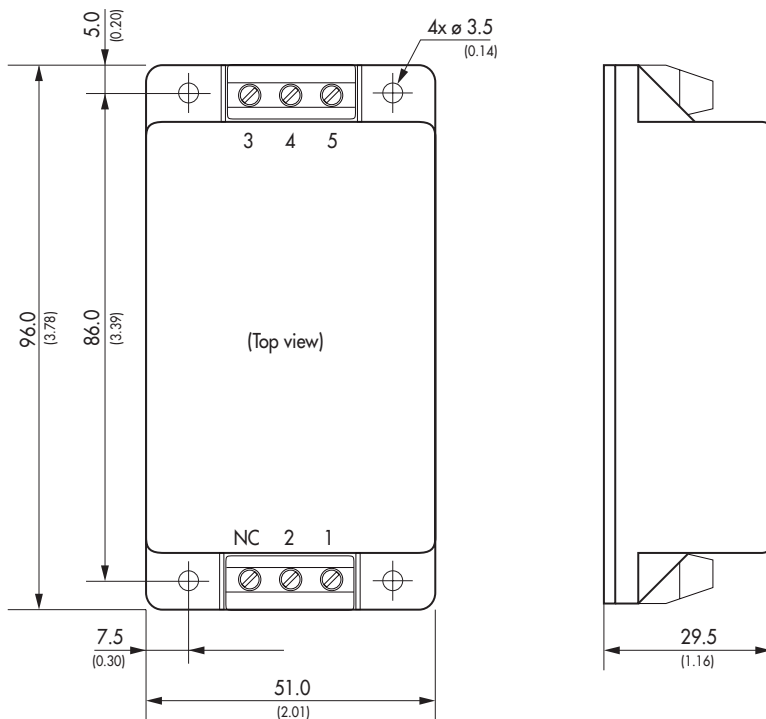
**Outline Dimensions**

TMT 30 single output and models and TMT 30212 & TMT 30215 (solder pins)



Weight: 165 g (5.8 oz)

TMT 30C single output and models and TMT 30212C & TMT 30215C (screw terminal block)



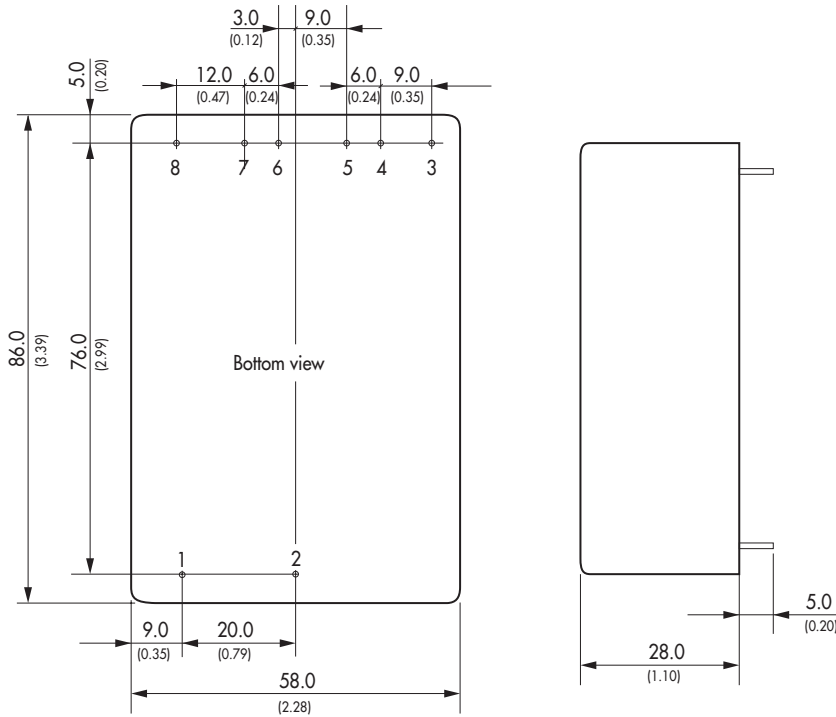
Connection		
Pin	Single	Dual
1	AC in	AC in
2	AC in	AC in
3	-V out	-V out
4	No pin/con	Common
5	+V out	+V out

Weight: 180 g (6.3 oz)

Dimensions in [mm], ( ) = Inches  
Tolerances = 0.5 (0.02)

**Outline Dimensions**

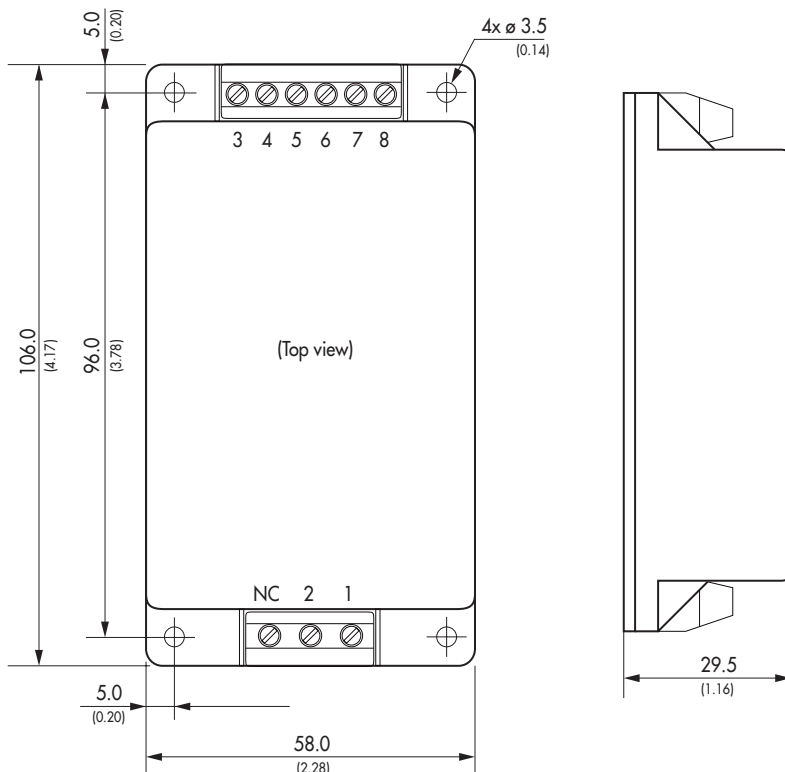
TMT 30 triple output and models and TMT 30252 (solder pins)



Weight: tba

Pin diameter: 1.0 (0.04)

TMT 30C triple output and models and TMT 30252C (screw terminal block)



**Connection**

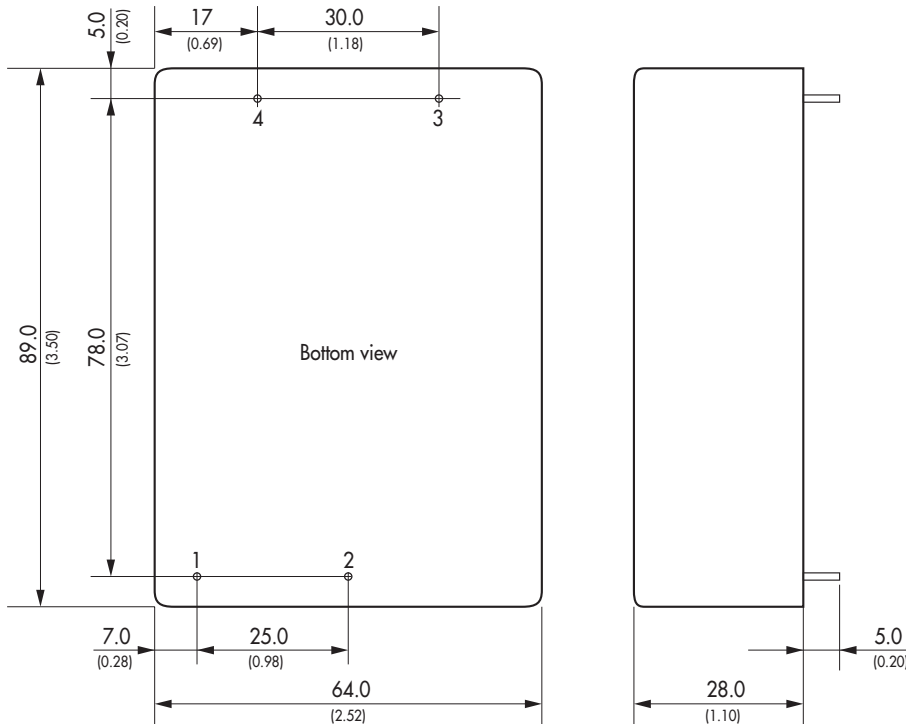
Pin	Dual	Triple
1	AC in	AC in
2	AC in	AC in
3	No pin/con.	-V out 3
4	No pin/con.	+V out 3
5	-V out 2	-V out 2
6	+V out 2	+V out 2
7	-V out 1	-V out 1
8	+V out 1	+V out 1

Weight: tba

Dimensions in [mm], ( ) = Inches  
Tolerances = 0.5 (0.02)

**Outline Dimensions**

**TMT 50 models with solder pins**

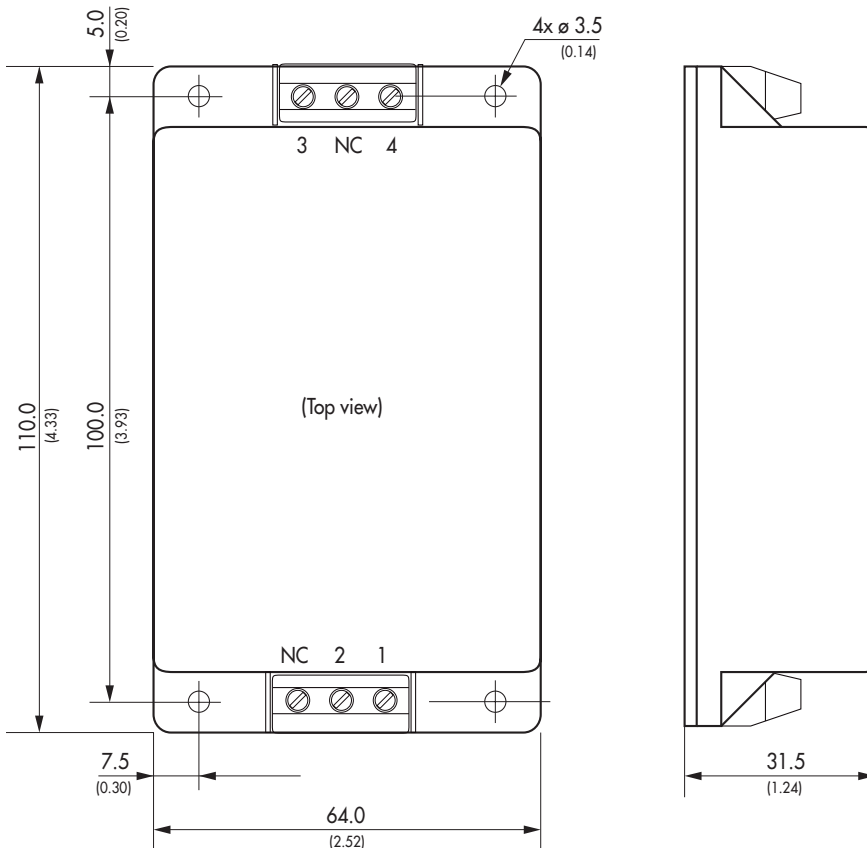


**Weight:** 245 g (8.6 oz)

Pin diameter: 1.2 (0.05)

Connection	
Pin	Single
1	AC in
2	AC in
3	-V out
4	+V out

**TMT 50C models with screw terminal block**

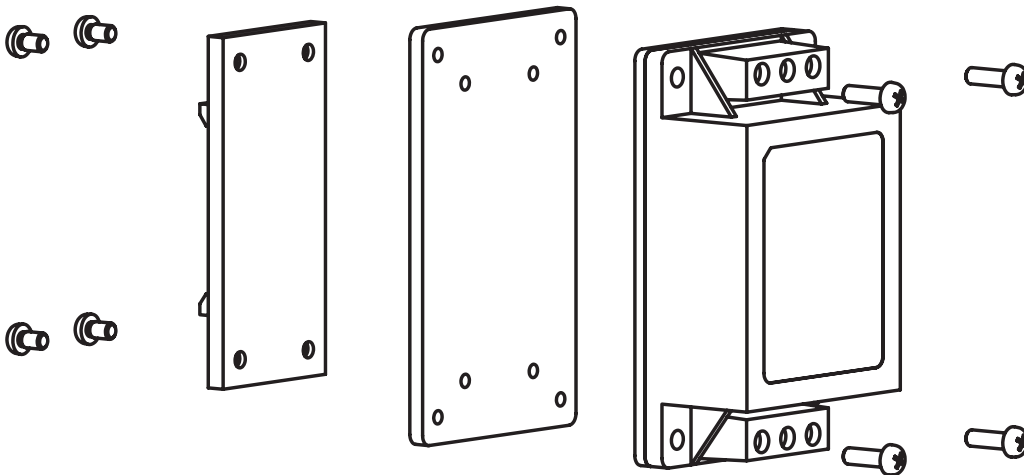
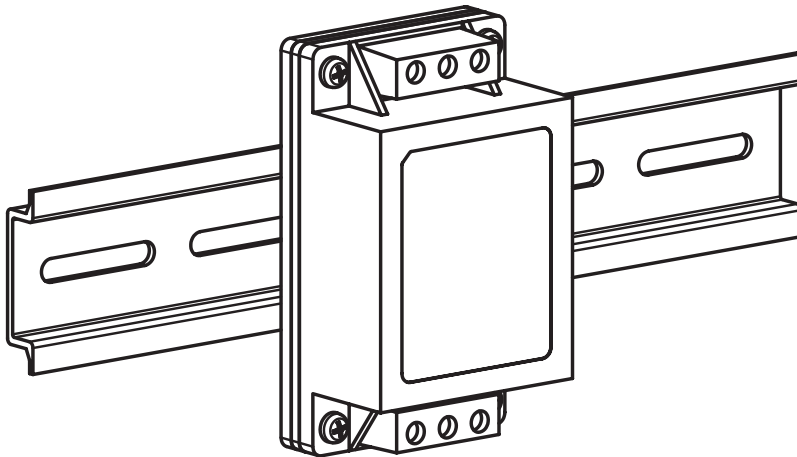


**Weight:** 295 g (10.4 oz)

Dimensions in [mm], ( ) = Inches  
Tolerances = 0.5 (0.02)

**DIN-Rail Mounting Kit**

Adapter for mounting on DIN-rails as per EN 50022-35 (snap-on mounting)



DIN-Rail Mounting Kit	
Order Code	For Models
TMT-MK1	TMT 15xxxC
TMT-MK2	TMT 30xxxC single & ±12/±15VDC
TMT-MK3	TMT 30xxxC triple & TMT 30252C
TMT-MK5	TMT 50xxxC

Kit contains interface plate, DIN-rail clip and necessary screws.

Specifications can be changed any time without notice.