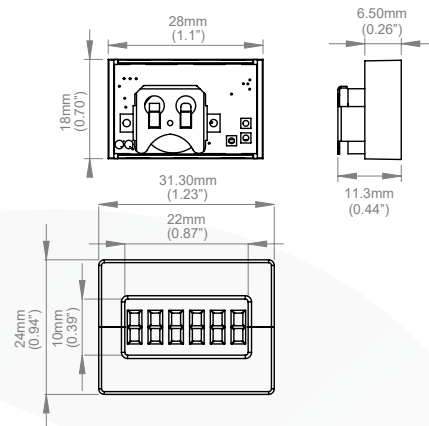


7016

6 digit LCD electronic totalising counter



Miniature, 6 digit LCD totalising counter suitable for either direct PCB mounting, or panel mounting with bezel supplied.

Key Features

- Self powered for 3-4 years using a 1.5V button cell
- 6 digit 6mm character high contrast LCD display
- Low power CMOS circuitry to achieve an expected battery life of 3 to 4 years at 20°C
- Simple to install
- Integral de-bounce circuitry
- Increments when contacts are opened
- Supplied with optional bezels for panel mounting

Specification

Supply Voltage	1.5V button cell type LR44 or SR44
Expected Battery Life	3 – 4 years at 20°C
Display	6 digit LCD, 6mm characters
Count Range	999999 display rollover to 000000
Count Input	18Hz maximum, contact closure. Operates on contact opening
Reset	Reset to zero by shorting reset input or removal and insertion of battery
Operating Temp	0°C to 50°C
Storage Temp	-10°C to +60°C
Material	Clear polycarbonate, black ABS bezel
Environmental Protection	IP40/DIN40050
Weight	7.5g

Part Numbers

7000

7000 6 Digit LCD Totalising Counter

