



AMP

| MCON Interconnection System, Micro Timer I, Micro Timer II, Micro Timer III, Timer Connector System

TE Internal #: 5-1579018-6

Micro Timer II, Insertion & Extraction Tools, Contact Insertion, Contact-to-Wire

[View on TE.com >](#)

Application Tooling > Insertion & Extraction Tools



Insertion & Extraction Tool Type: **Contact Insertion**

Insertion & Extraction Tool Application: **Contact-to-Wire**

Features

Product Type Features

Insertion & Extraction Tool Type	Contact Insertion
Insertion & Extraction Tool Application	Contact-to-Wire

Product Compliance

[For compliance documentation, visit the product page on TE.com>](#)

EU RoHS Directive 2011/65/EU	Not Compliant
EU ELV Directive 2000/53/EC	Out of Scope
China RoHS 2 Directive MIIT Order No 32, 2016	Restricted Materials Above Threshold
EU REACH Regulation (EC) No. 1907/2006	Current ECHA Candidate List: JAN 2021 (211) Candidate List Declared Against: JUN 2020 (209) SVHC > Threshold: Pb (3% in Component Part) <small>Article Safe Usage Statements: Do not eat, drink or smoke when using this product. Wash thoroughly after handling. Recycle if possible and dispose of the article by following all applicable governmental regulations relevant to your geographic location.</small>
Halogen Content	Low Halogen - Br, Cl, F, I < 900 ppm per homogenous material. Also BFR/CFR/PVC Free
Solder Process Capability	Not applicable for solder process capability

Product Compliance Disclaimer

This information is provided based on reasonable inquiry of our suppliers and represents our current actual knowledge based on the information they provided. This information is subject to change. The part numbers that TE has identified as

EU RoHS compliant have a maximum concentration of 0.1% by weight in homogenous materials for lead, hexavalent chromium, mercury, PBB, PBDE, DBP, BBP, DEHP, DIBP, and 0.01% for cadmium, or qualify for an exemption to these limits as defined in the Annexes of Directive 2011/65/EU (RoHS2). Finished electrical and electronic equipment products will be CE marked as required by Directive 2011/65/EU. Components may not be CE marked. Additionally, the part numbers that TE has identified as EU ELV compliant have a maximum concentration of 0.1% by weight in homogenous materials for lead, hexavalent chromium, and mercury, and 0.01% for cadmium, or qualify for an exemption to these limits as defined in the Annexes of Directive 2000/53/EC (ELV). Regarding the REACH Regulation, the information TE provides on SVHC in articles for this part number is based on the latest European Chemicals Agency (ECHA) 'Guidance on requirements for substances in articles' posted at this URL: <https://echa.europa.eu/guidance-documents/guidance-on-reach>

Compatible Parts



TE Part # CAT-T4827-T273
TIMER, RECEPTACLE AND TAB



TE Part # CAT-M4595-T273
MCON, RECEPTACLE AND TAB



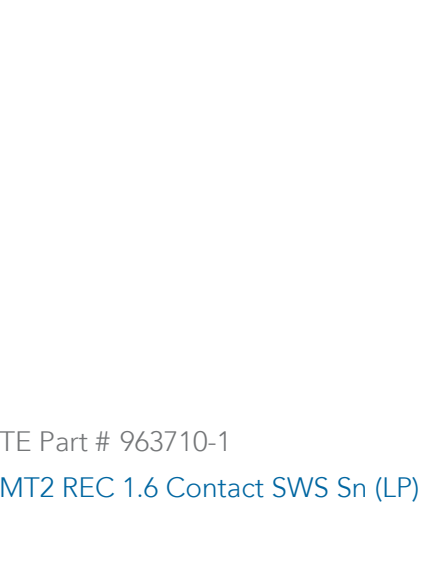
TE Part # 1747251-1
MT 6POS PLUG HSG



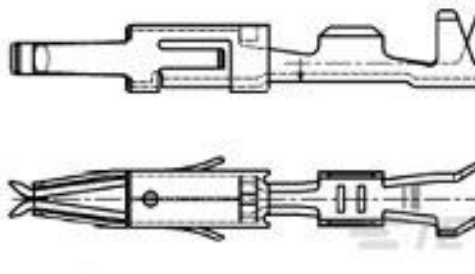
TE Part # 9-2348786-1
HDSENET 2+6 REC. HSG ASSY E



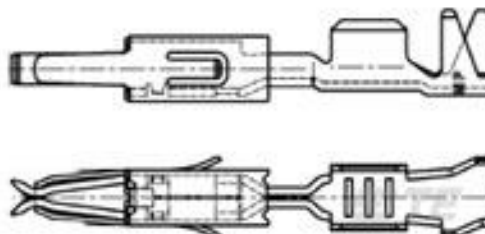
TE Part # 9-2348786-2
HDSENET 2+6 REC. HSG ASSY E



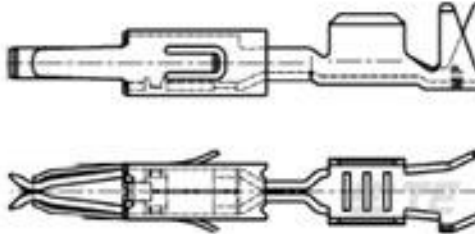
TE Part # 963710-1
MT2 REC 1.6 Contact SWS Sn (LP)



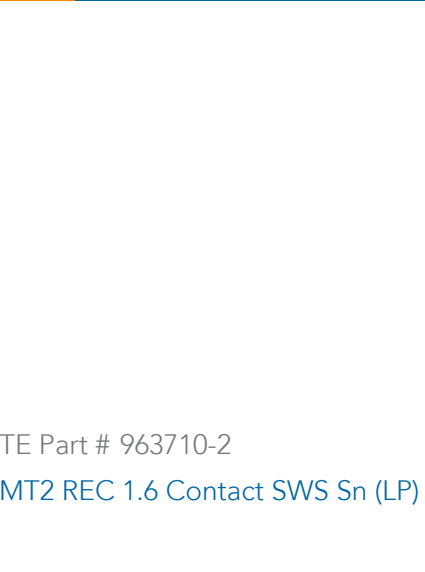
TE Part # 963711-2
MICRO TIM RECEPTACLE CONTACT



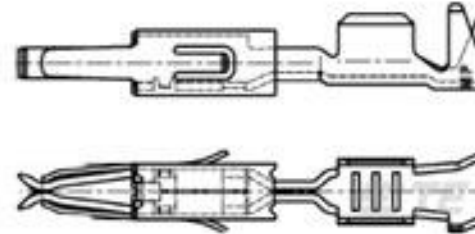
TE Part # 964275-2
MT2 A REC 1.6 Contact SWS Sn (LP)



TE Part # 4-1241732-1
MT3 REC 1.6 Contact SRC Au



TE Part # 963710-2
MT2 REC 1.6 Contact SWS Sn (LP)



TE Part # 969019-2
MT2 A REC 1.6 Contact SWS Sn (LP)



TE Part # 1241731-2
MICRO TIM3 CONTACT



TE Part # 2-964269-2
TAB A 1.6x0.6 CONTACT CF SWS Ag



TE Part # 4-1241733-1
MICRO TIM2 CONTACT



TE Part # 4-964275-1
MICRO TIMER2 CONTACT (loose piece)



TE Part # 4-969019-1
MICRO TIMER2CONTACT

TE Part # 962876-7
MT2 REC 1.6 Contact SWS Sn

TE Part # 963710-3
MICRO TIM KONT EDS

TE Part # 963710-5
MICRO-TIM SOCKET CONTACT SWS

TE Part # 963711-3
MICRO TIM KONT EDS

Also in the Series | MCON Interconnection System

Automotive Connector Caps & Covers
(24)

Automotive Connector Locks &
Position Assurance(11)

Automotive Headers(5)

Automotive Housings(288)

Automotive Seals & Cavity Plugs(4)

Automotive Terminals(114)

Insertion & Extraction Tools(34)

Other Automotive Connector
Accessories(6)

Also in the Series | Micro Timer I

Automotive Housings(4)

Automotive Terminals(10)

Insertion & Extraction Tools(3)

Also in the Series | Micro Timer II



Automotive Connector Caps & Covers (2)



Automotive Connector Locks & Position Assurance(3)



Automotive Housings(28)



Automotive Seals & Cavity Plugs(1)



Automotive Terminals(31)

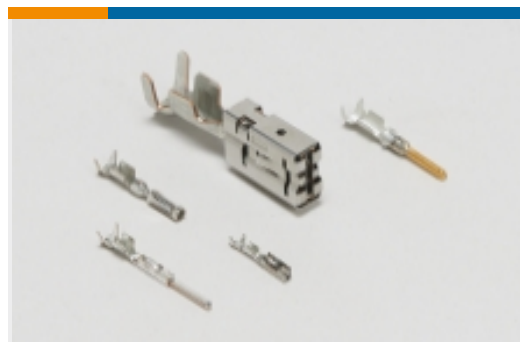


Insertion & Extraction Tools(5)

Also in the Series | **Micro Timer III**



Automotive Housings(5)



Automotive Terminals(10)

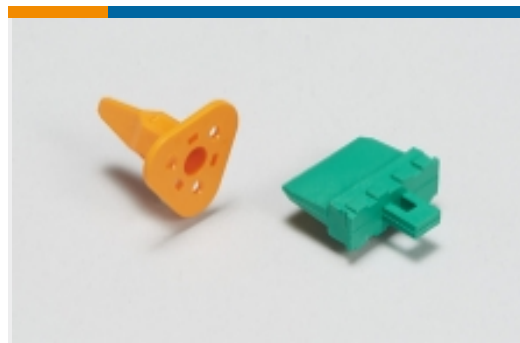


Insertion & Extraction Tools(4)

Also in the Series | **Timer Connector System**



Automotive Connector Caps & Covers (11)



Automotive Connector Locks & Position Assurance(16)



Automotive Headers(82)



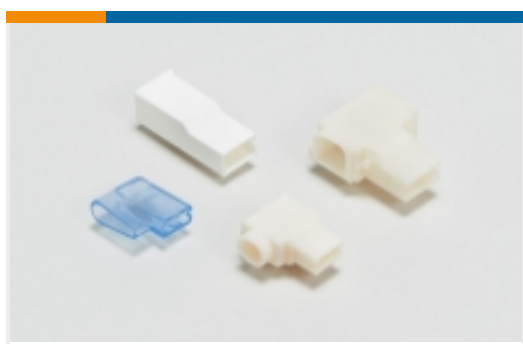
Automotive Housings(214)



Automotive Seals & Cavity Plugs(31)



Automotive Terminals(145)



Crimp Terminal Housings(13)



Insertion & Extraction Tools(21)



Other Automotive Connector Accessories(1)



Quick Disconnects(4)

Customers Also Bought



TE Part #1-1579007-3
EXTRACTION TOOL



TE Part #1-967630-4
TIMER, CONNECTOR HOUSING



TE Part #969040-1
TIMER, RECEPTACLE AND TAB



TE Part #1-1633965-0
CRIMPER, INSUL O PREMIUM



TE Part #1579008-9
INSERTION TOOL



TE Part #1355528-2
MPQ 2.KONT-SICHNG8P



TE Part #1-968317-3
MQS ABDECKKAPPE 24P



TE Part #1480838-2
MAXI RELAY SUPORT



TE Part #1-453820-0
CRIMPER, WIRE-.070 WIDE F

Documents



Product Drawings

INSERTION TOOL

English

Datasheets & Catalog Pages

Insertion-Extraction-Tool-2345721-1

English

HDSCS Catalog

English

Crimp Term Whitepaper-Use the Right Tool 1-1773953-1

English

CRIMPING WHERE FORM MEETS FUNCTION

English

Instruction Sheets

Instruction Sheet (non U.S.)

German