

MESSRS :

PRODUCT DRAWING

CUSTOMER'S PRODUCT NAME:

TDK PRODUCT NAME: DC-AC INVERTER UNIT
CXA-0308



TDK Corporation

Corporate Headquarters
13-1, Nihonbashi 1-chome, Chuo-ku,
Tokyo 103, JAPAN
Telephone : 03-3278-5111
2-15-7, Higashi-Ohwada, Ichikawa-shi,
Chiba, 272-8558 JAPAN
Telephone : 047-378-9671
Fax : 047-378-9673

PREPARED BY	APPROVED BY	AUTHORIZED BY
<i>Jan.20,2005 J.Ogawa</i>	<i>Jan.20,2005 S. Sasaki</i>	<i>Jan.20,2005 K.Hanabusa</i>

DWG.No.	CTR-0729-E
---------	------------

Precautionary Notes Regarding the Use of This Inverter

When using this product, give due consideration to the precautionary notes described below and ensure a safe design. Inappropriate use may result in electric shock, injury or fire.



Warning



This product is subject to high voltage. Do not touch it while the power is on. Failing to do so may result in electric shock.



Caution

This product is designed for the lighting of a Cold Cathode Fluorescent Lamp. Do not use it with any other load.

Store this product under the conditions defined in the specification document.

Do not store this product in an environment where dust, dirt or corrosive gas (salt, acid, base, etc.) is present.

This product is subject to high voltage. If there is a possibility that the user may touch the product, provide a proper indication in order to draw the user's attention.

This product is designed for use with general electronic equipment.

If it is to be used with medical equipment that directly affects human life or for the control of transportation equipment to which passengers entrust their lives, provide thorough fail-safe measures.

Avoid using this product under high temperatures or high humidity or in an environment in which dust, dirt or any corrosive gas (salt, acid, base, etc.) is present.

Also, be careful not to allow the formation of dew condensation. It may result in damage or electric shock.

If the product does not have a built-in protective circuit (circuit breaker, fuse, etc.), it is recommended that a fuse be used at the input stage to prevent the generation of smoke or fire in the event of a malfunction.

Even when the product has a built-in protective circuit (circuit breaker, fuse, etc.), the circuit may not function properly due to inappropriate operating conditions or power-supply capacity. It is recommended that an appropriate protective circuit (circuit breaker, fuse, etc.) be provided separately from the built-in circuit.

Use the product only within the specified input voltage, output power, output voltage and operating temperature ranges. Exceeding these values may result in damage, etc.

Provide a measure for the prevention of surge voltage due to lightning, etc.

Abnormal voltage may result in damage, etc.

To prevent problems arising from short-circuiting of the high-voltage section, provide appropriate measures to prevent the entry of foreign substances following installation.

This product is not designed to provide resistance to radiation.

Handling Precautions

This product uses thin wires. Observe the following precautions and handle it with care so as not to cause wire breakage. Broken wire may result in damage, etc.

- Do not stack multiple products on top of one another.
- Do not allow the product to come in contact with tools, etc.

Do not apply excessive stress during installation.

It may cause chipping and cracking, resulting in damage, etc.

Provide a clearance of 2 mm or more between the high-voltage section of this product and the frame body on which the product is installed and also the conductor section (pattern, pad, etc.).

Please do not use the product, when dropping it, since there is a possibility of the parts damage.

Please confirm abnormality is not found in the product enough when using it by any chance.

	PRODUCT NAME or MODEL, TITLE		
	DC-AC INVERTER CXA-0308		
TDK CORPORATION	NAME OF DRAWING	DRAWING No.	PAGE
	Product Drawing	CTR-0729-E	1

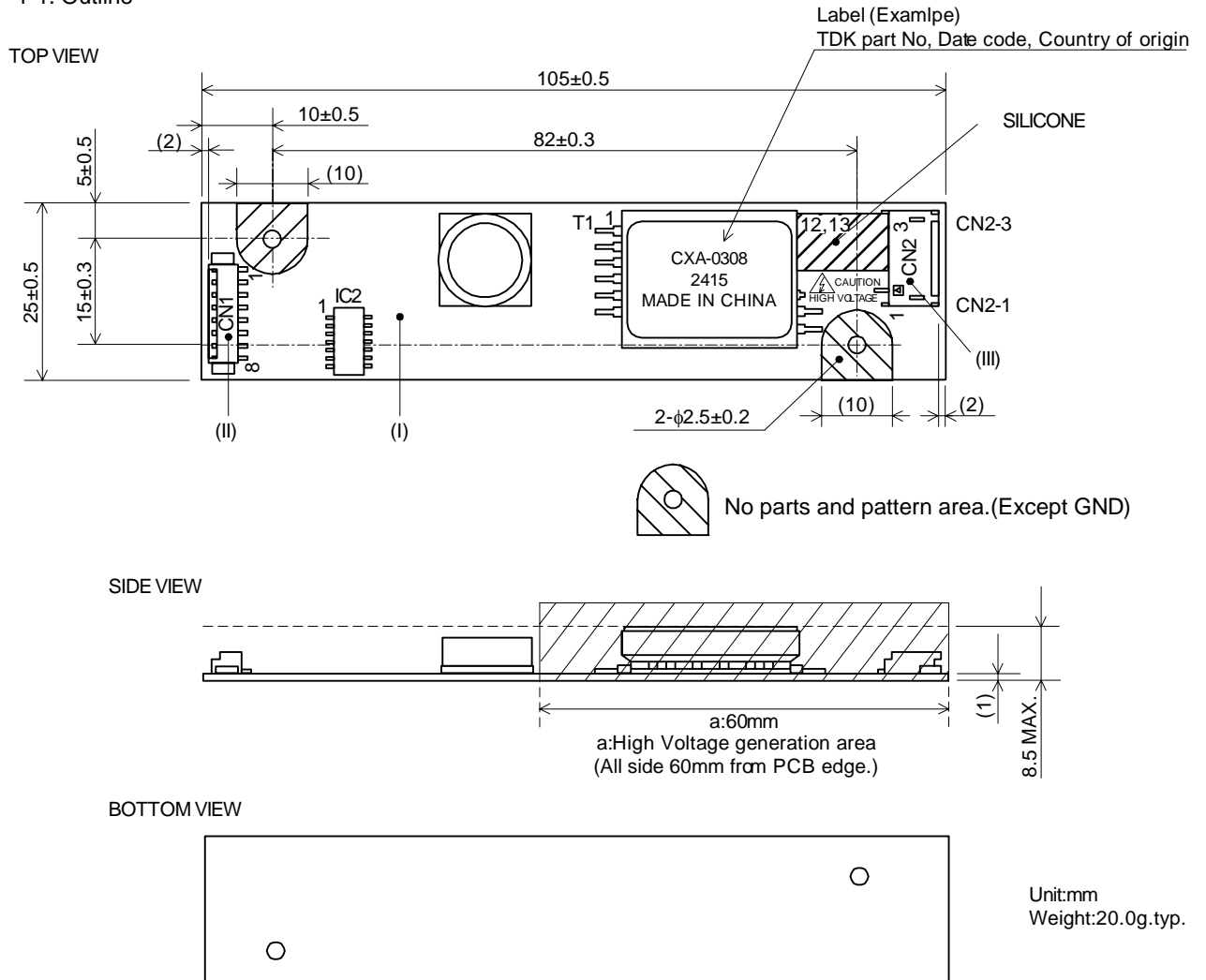
· The specifications may be changed without any notice.
 · When placing orders,
 please confirm "Specifications" or Product Drawing" through TDK sales or distributors.

Features

- This inverter is for two lamps. It has Dimming function and Remote function.
- This product has shutdown function.
 It shows an abnormal condition when the lamps open.
- With lamp failure detector.
 Normal Operation : CN1-8=0V
 Some Lamps Open : CN1-8=5V
- The high-voltage area (terminals and patterns) is coated with silicone so as to avoid the defects caused by dust.

[1] Outline

1-1. Outline



No.	Part Description	Material	QU	REMARK	MATES WITH
(I)	PCB	Composite (CEM-3)	1	UL94V-0 t=1.0	-
(II)	Input Connector CN1	53261-0890	1	MOLEX	51021-0800
(III)	Output Connector CN2	SM03(8.0)B-BHS-1	1	JST	BHR-03VS-1

PRODUCT NAME or MODEL,TITLE			
DC-AC INVERTER CXA-0308			
TDK CORPORATION	NAME OF DRAWING	DRAWING No.	PAGE
	Product Drawing	CTR-0729-E	2

<The specifications may be changed without any notice.>

1-2. Connector Configuration

Input side CN1

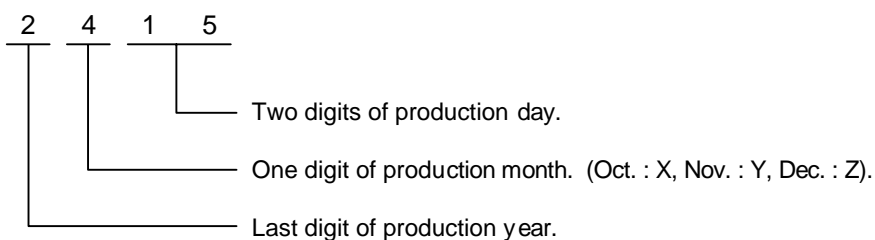
Pin No.	Symbol	Rating	Notes
CN1-1	Vin	10.8~13.2V	Input Voltage
CN1-2			
CN1-3	GND	0V	GND
CN1-4			
CN1-5	Vrmt	0~0.4V:OFF 2.5~Vin V:ON	Remote Input Voltage
CN1-6	Vbr1/Rbr1	0~2.5V /0~50kΩ	Control/VR1
CN1-7	Vbr2/Rbr2	GND/0~50kΩ	GND/VR2
CN1-8	Vst	0V/5V	The warning output 5V in abnormal circumstances

Output side CN2

Pin No.	Symbol	Rating	Notes
CN2-1	VLOW	(2V)	Output1,2 Return
CN2-2	VHIGH2	600Vrms	Output2
CN2-3	VHIGH1	600Vrms	Output1

Note1-1. Marking of TDK part No, Date code, Country of origin.

- 1) TDK part No., Date code, Country of origin, is marked on the transformer.
- 2) Date code example. (ex. APR. 15. 2002)



- 3) Country of origin code example. (ex. MADE IN JAPAN. MADE IN CHINA).

Note1-2. For circuit connection, please refer to test circuit diagram [4].

Note1-3. Please use minimum of 2mm clearance (all directions) between inverter high voltage area and any conductors. Please refer to mechanical drawing for marking of high voltage area.

Note1-4. Open voltage (strike voltage) is measured across the transformer secondary winding at no load as the reading at the output connector would be less than the actual value.

Note1-5. If the start up voltage falls below Cold Cathode Tube strike voltage, the CCFL will not light up easily especially at lower ambient temperature. Please review mounting instruction to avoid any abnormal operation due to coupling/leakage capacitance of inverter high voltage area to any surrounding conductor.

Note1-6. Please check your lamp characteristic for minimum operational current and set the limit point in your design to avoid flickering and/or abnormal operation.

Note1-7. For proper operation of circuit protection (fuse or IC PROTECTOR), please use minimum of 2A capacity for input power supply.

Note1-8. For proper operation: Don't connect the output VLOW(CN2-1) terminal to the input GND(CN1-3,4).

	PRODUCT NAME or MODEL, TITLE		
	DC-AC INVERTER CXA-0308		
TDK CORPORATION	NAME OF DRAWING	DRAWING No.	PAGE
	Product Drawing	CTR-0729-E	3

<The specifications may be changed without any notice.>

[2] Absolute maximum ratings

Item	Symbol	Specification	Unit	Notes
Input Voltage	V _{in}	0~14	V	
	V _{rmt}	-1~V _{in} +1		
	V _{br}	0~16		
Load Resistance	R _L // C _L	105 // 5±0.25	kΩ // pF	
Operating Temp. range	T _a	-10~70	°C	
Storage Temp. range	T _s	-30~85	°C	
Humidity range	RH	95	%RH	A maximum wet ball temperature is 38 °C. No dew.

Note2-1.The test circuits added 5pF capacitor across the load resistor for LCD back light stay capacit or.

[3] Electrical specifications

Item	Symbol	Condition					Specifications			Unit
		V _{in} (V)	V _{rmt} (V)	R _{br} (Ω)/ V _{br} (V)	T _a (°C)	R _{L1} (kΩ)//C _{L1} (pF) R _{L2} (kΩ)//C _{L2} (pF)	MIN.	TYP.	MAX.	
Output Current (Brightness MAX.)	I _{o1/2}	12±1.2	5±0.25	0 / 0	-10~70	95~105 // 5±0.25 95~105 // 5±0.25	4.3	5.0	5.7	mArms
		12±0.6	5±0.25	0 / 0	23±5	100 // 5±0.25 100 // 5±0.25	4.5	5.0	5.5	
Output Current (Brightness MIN.)	I _{o1/2}	12±1.2	5±0.25	50 / 2.5	-10~70	95~105 // 5±0.25 95~105 // 5±0.25	1.2	2.0	2.8	
		12±0.6	5±0.25	50 / 2.5	23±5	95~105 // 5±0.25 95~105 // 5±0.25	1.3	2.0	2.7	
Input Current1	I _{in1}	12±0.6	5±0.25	0 / 0	-10~70	100 // 5±0.25 100 // 5±0.25	-	0.55	0.75	A
Input Current2	I _{in2}	12±0.6	0±0.25	0 / 0	-10~70	95~105 // 5±0.25 95~105 // 5±0.25	-	-	1	mA
Frequency	F1	12±0.6	5±0.25	0 / 0	-10~70	95~105 // 5±0.25 95~105 // 5±0.25	50	55	60	kHz
Frequency(Duty)	F2	12±0.6	5±0.25	50 / 2.5	-10~70	95~105 // 5±0.25 95~105 // 5±0.25	220	250	280	Hz
Open Circuit Voltage	V _{open}	10.8 min.	5±0.25	0 / 0	-10~70	∞ ∞	1.2	1.25	1.5	kVrms
Warning Signal (Note4-3.)	V _{st}	12±1.2	5±0.25	0 / 0	-10~70	95~105 // 5±0.25 ∞	4.5	5.0	5.5	V
		12±1.2	5±0.25	0 / 0	-10~70	∞ 95~105 // 5±0.25	4.5	5.0	5.5	
		12±1.2	5±0.25	0 / 0	-10~70	95~105 // 5±0.25 95~105 // 5±0.25	-	0	0.5	

PRODUCT NAME or MODEL,TITLE

DC-AC INVERTER CXA-0308

TDK CORPORATION

NAME OF DRAWING

Product Drawing

DRAWING No.

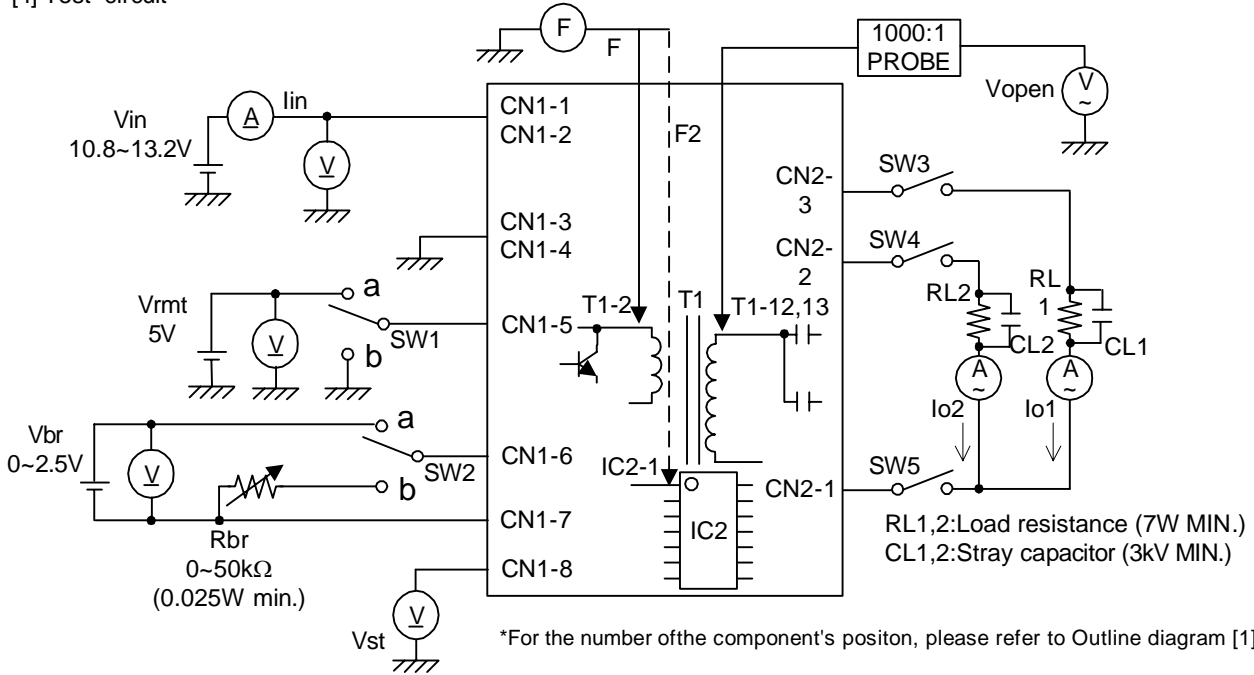
CTR-0729-E

PAGE

4

<The specifications may be changed without any notice.>

[4] Test circuit



Note4-1. SW1(ON/OFF) Operation is as following;

SW1	Operation of unit
a	Operation
b	Non operation
Open	Non operation

Note4-2. SW2(ON/OFF) Operation is as following;

SW2	Operation of unit
a	Voltage dimming Vbr=0~2.5V
b	Variable resistance dimming VR=0~50kΩ

Vbr=0V : brightness MAX.
Rbr=0Ω : brightness MAX.

Note4-3. Safety Function

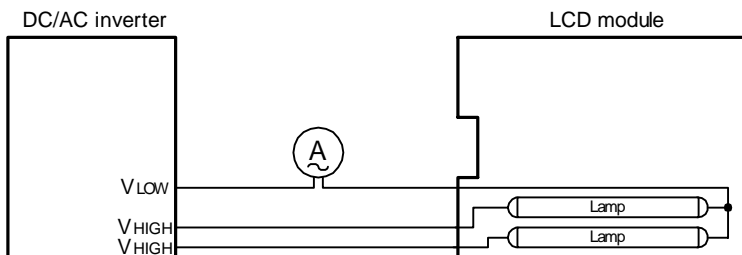
Load Condition	Alarm Signal ¹ (CN1-8)	Shutdown ²
Normal Operation	0.5V max.	Normal
1 Lamp Open	4.75~5.25V	Normal
2 Lamps Open	4.75~5.25V	Shutdown

*1. In test circuit[3], if anyone of switches SW3~SW5 opens, then the warning signal will be activated (+5V).
*2. If the inverter detects open circuit all of the lamps for more than 3 seconds it will shut down.

Note4-4. Test Equipments

- (V) Digital Multiple Meter(ADVANTEST R6451A or equivalent)
- (A) DC Current Meter(ADVANTEST R6451A or equivalent)
- (F) Frequency Counter(ADVANTEST R6451A or equivalent)
- (V) True RMS Meter(KEITHLEY 2001 or equivalent.)
- (A) High Frequency Current Meter(KEITHLEY 2001 or equivalent)
- (1000:1) High Voltage Probe(Tektronix P3000 or equivalent)

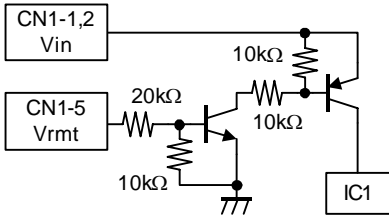
Connection diagram of LCD module (Reference)



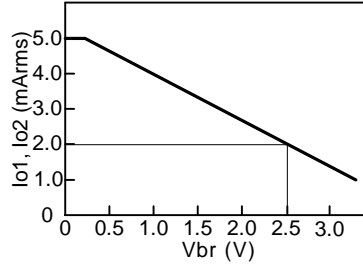
*Connect the High Frequency Current Meter to the Low-Voltage (VLow) side.

PRODUCT NAME or MODEL, TITLE			
DC-AC INVERTER CXA-0308			
TDK CORPORATION	NAME OF DRAWING	DRAWING No.	PAGE
	Product Drawing	CTR-0729-E	5

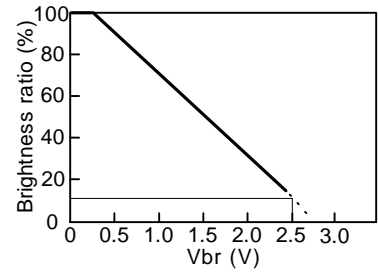
Remote terminal circuit (Reference)



Dimming characteristic (Reference)



Brightness ratio characteristic(Reference)
ex.NL6448BC33-46NEC



[5] Reliability test

Following test items are assured.

Item	Condition	Judgement
Low Temp.Non operational	-30°C 500h	Electrical and apperance should be in the spec.
Low Temp.operational	-10°C 500h Load cond.:TYP	
High Temp.Non operational	85°C 500h	
High Temp.operational	70°C 500h Load cond.:TYP	
Heat shock	-20°C↔75°C 30min.Each 100 Cycles	
Humidity (Non operational)	60°C 90-95%RH 500h	
Vibration	10~55Hz Amplitude 58~500Hz 1G Sweep:11min 60min each axis X,Y,Z	
Shock	100G 11ms Harf-sine pulse 1 time each axis ±X,Y,Z	

PRODUCT NAME or MODEL,TITLE

DC-AC INVERTER CXA-0308

TDK CORPORATION

NAME OF DRAWING

Product Drawing

DRAWING No.

CTR-0729-E

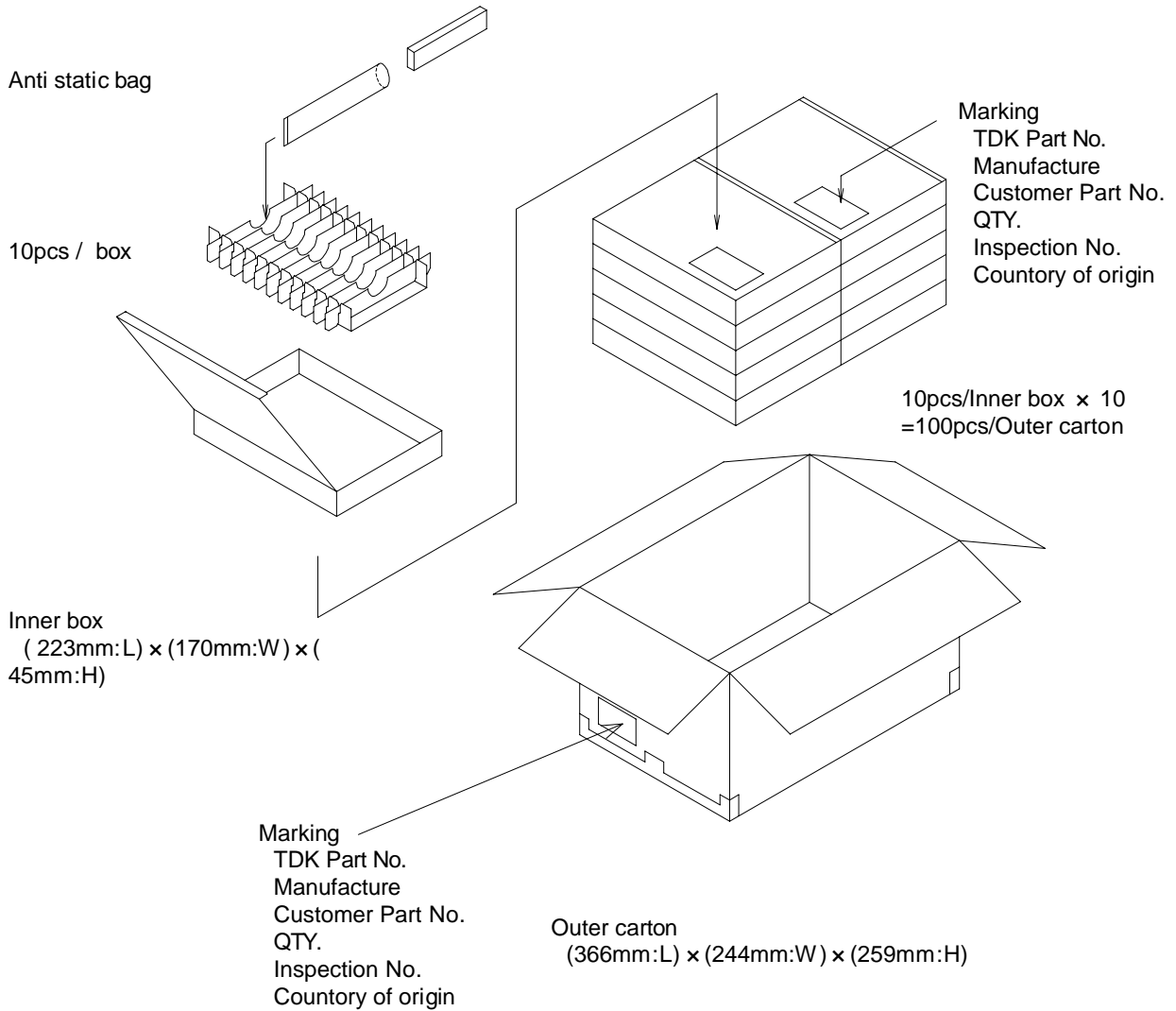
PAGE

6

[6] Packing and Marking

A shipping box is packaged to avoid from water or damage. Following items are printed on the box.

- 6-1. TDK part No. CXA-0308
- 6-2. Manufacture TDK
- 6-3. Customer part No.
- 6-4. QTY.
- 6-5. Inspection No.
- 6-6. Country of origin



[7] Others

7-1. Test cond.

A normal test condition :Temperature (20±15°C), Humidity (65±20%RH).

7-2. Std warantry.

One year after shipment.This covers any defects in material or workmanship.
Defective units will be replaces at no charge.

7-3.Others.

TDK and customer are to discuss changes,problems, and modifications and etc, when needed.

	PRODUCT NAME or MODEL,TITLE		
	DC-AC INVERTER CXA-0308		
TDK CORPORATION	NAME OF DRAWING	DRAWING No.	PAGE
	Product Drawing	CTR-0729-E	7

<The specifications may be changed without any notice.>