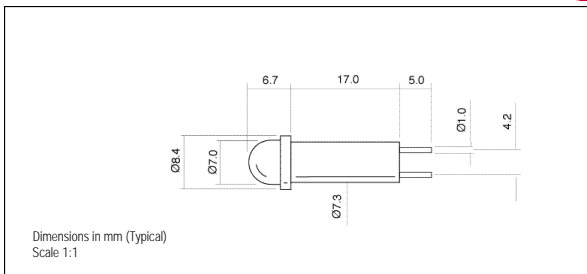


● PANEL INDICATOR LEDs - Ø 9.5mm Mounting



- Front panel releasability
- Sealed to IP40
- Must be used in conjunction with panel socket 905-000-00



423 SERIES

MLQ = 20

Ordering Information & Typical Technical Characteristics (Ta = 25°C)

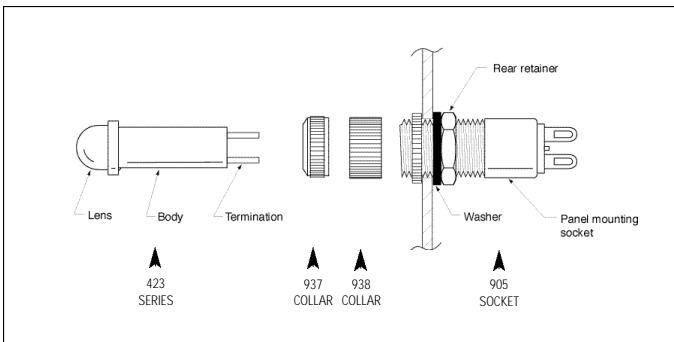
Mean Time Between Failure = 90,000 Hours. Luminous intensity figures refer to the unmodified discrete LED.

PART NUMBER	COLOUR	LENS	VOLTAGE DC Vopr	CURRENT DC Iopr	LUMINOUS INTENSITY Iv@20mA	WAVE LENGTH p	VIEWING ANGLE	OPERATING TEMP Topr	STORAGE TEMP Tstg
HIGH INTENSITY									
423-501-04	Red	Coloured Diffused	1.9*	20	850	660	Wide	0 ~ +85	0 ~ +85
423-521-04	Yellow		2.0*	20	4400	590			
423-532-04	Green		3.4*	20	3400	525			
423-930-04	Blue		3.4*	20	1000	470			
423-997-04	White		3.4*	20	2000	•			
423-501-22	Red		24	20	850	660			
423-521-22	Yellow		24	20	4400	590			
423-532-22	Green		24	20	3400	525			
423-930-22	Blue		24	20	1000	470			
423-997-22	White		24	20	2000	•			
UNITS			Vdc	mA	mcd	nm		°C	°C

* = Voltage DC for 20mA product is Vf@20mA, not Vopr

• = Typical emission colour: x=0.31, y=0.32. Colour temperature 8000K. Intensities (Iv) and colour shades of white (x,y co-ordinates) may vary between LEDs within a batch.

Please note - This product is also available at 5, 12 and 28Vdc. AC versions are also available. Please contact our Sales department for further details.



● CUSTOM DESIGN SERVICE