

MINI EN3 FIELD INSTALLABLE CONNECTORS



Cable Pin



Panel Mount



Cable Socket



Dust Cap

Molded Cable Assemblies



Cable End



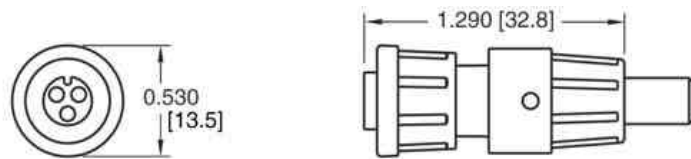
Cable to Cable



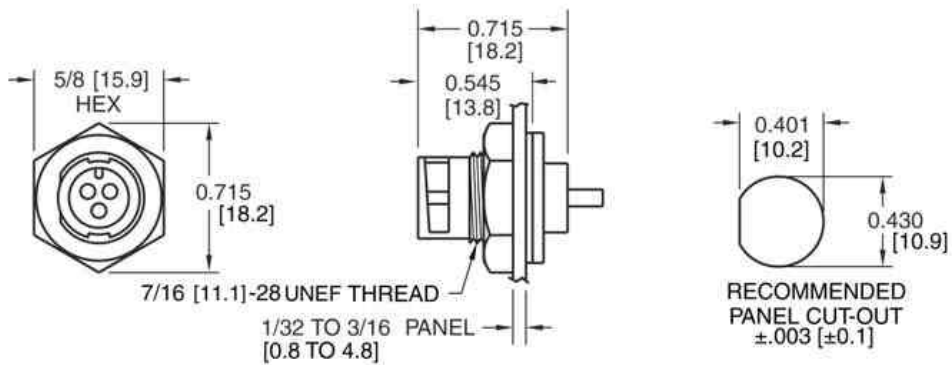
Right Angle

MINI EN3 FIELD INSTALLABLE CONNECTORS

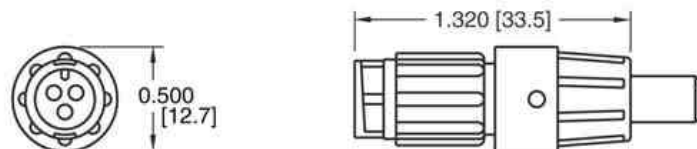
Dimensions (Dimensions in brackets are in millimeters)



CABLE END CONNECTOR - WITH SNAP LOCK BACKSHELL (NON-REMOVABLE)

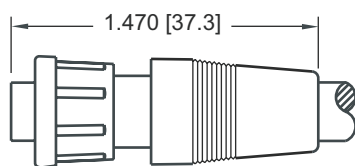


PANEL MOUNT CONNECTOR - SHOWN WITH HEX NUT AND GASKET

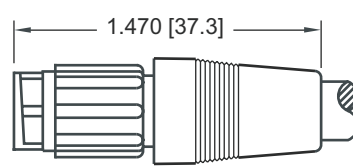


CABLE TO CABLE CONNECTOR - WITH SNAP LOCK BACKSHELL (NON-REMOVEABLE)

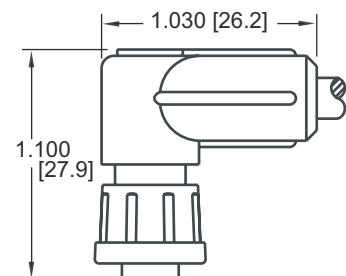
Molded Cable Assemblies



CABLE END ASSEMBLY
STRAIGHT BOOT
0.280 [7.1] MAX. CABLE O.D.



CABLE TO CABLE ASSEMBLY
STRAIGHT BOOT
0.280 [7.1] MAX. CABLE O.D.



CABLE END ASSEMBLY
90° BOOT
0.280 [7.1] MAX. CABLE O.D.

MINI EN3

FIELD INSTALLABLE CONNECTORS

Specifications

Typical Specifications

Manufacturers Identifications
Description
Rating
Conductor Size
Configuration
Certification

Micro-Con®X
Field Installable Connector & Custom Cable Assemblies
3.0 thru 7.5A, 600V
20 thru 24 AWG
2 & 3 #20 Contacts
UL Recognized File #E150822 - 250V
CSA Certified File #181200 - 600V

Material Specifications

Cable Pin/Socket
Backshell (Non-Removable Snap Lock)
Grommet
Coupling Ring
Contacts
Connector Body
O-Ring
Cable to Cable
Backshell (Non-Removable Snap Lock)
Grommet
Contacts
Connector Body
Panel Mount
Contacts
Panel Body
Gasket
Hex Nut
Optional
Dust Cap

Nylon, UL Recognized, Black
Santoprene Rubber, Black
Nylon, UL Recognized, Black
Brass, Gold over Nickel
Nylon, UL Recognized, Black
Neoprene Rubber, Black

Nylon, UL Recognized, Black
Santoprene Rubber, Black
Brass, Gold over Nickel
Nylon, UL Recognized, Black

Brass, Gold over Nickel
Nylon, UL Recognized, Black
Neoprene Rubber, Black
Nylon, UL Recognized, Black

Santoprene Rubber, Black (Part No. 16295)

Gasket, O-Ring, & Grommet materials are suitable for -40°C to +90°C (-40°F to +194°F). Consult factory for higher temperature requirements.

Mechanical Specifications

Durability
Vibration
Hex Nut Torque

Minimum 300 mate/unmate cycles without mechanical or electrical failure
Coupling rings have overriding locking feature to prevent loosening or separation of connector
All series hex nut to withstand 10-12 inch/lb tightening torque.

Electrical Specifications

Voltage
Current

600 V
See Electrical Current Rating Chart (Page 27)

Environmental Specifications

Temperature Rating
Corrosion
Weathertight

-40°C to +115°C (-40°F to +239°F)
300 Hr salt spray contacts
Consult factory with specific application

Molded Cable Assemblies

Watertight

(See Pages 3 & 26)
NEMA 6P, 13; IEC IP67