

INSTALLATION POWER SUPPLY

24VDC 65WATT



POWERPAX: SW4265

Features:

- High frequency design
- Over Current, and Voltage Protection
- Short Circuit Protection
- FCC, LPS, CE & RoHS Compliant
- CEC Energy Efficiency Level V
- Less power consumption
- Bare Ends



Description:

A CCT power supply with bare ends that has a lugged case for fixing to a flat surface. It features a 1.5m output lead with 2.1mm DC plug and a 1/5m bare ends input lead. Suitable for usage at Telecommunications,, Computer, Industrial Controller & OA System

Specification	
Part Number	SW4265
Voltage	24Vdc
Input Current	2.71A
Power (Watts)	65W
Ripple & Noise	240mV
Protections	Over Voltage, Over Current, Short Circuit
Case Size (mm)	138 x 56 x 37
Weight	370g
DC Cord	UL2468,18AWG 1.5m
DC Output Type	12 x 5.5 x 2.1mm centre straight
Output Current	2.71A
Full Input Voltage Range	100~240VAC
Full Frequency Range	50~60Hz
Efficiency	87%
Input Current RMS Max	80A
Inrush Current	240VAC (Cold start at 25°C load)
Leakage Current	Less than 0.25mA
AC Mains Leads	
Hi-Pot	
Operating Temperature	0 to 40°C
Storage Temperature	-20 to 80°C
Operating Humidity	20 to 80% RH
Storage Humidity	10 to 90% RH
Safety Approvals	CB
EMI Standards	CE Class B
MTBF	30,000 Hours (Calculated Hours at 25°C, by Telcordia SR-332)

General Note

TT Electronics reserves the right to make changes in product specification without notice or liability. All information is subject to TT Electronics' own data and is considered accurate at time of going to print.

POWERPAX

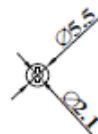
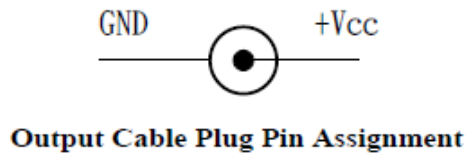
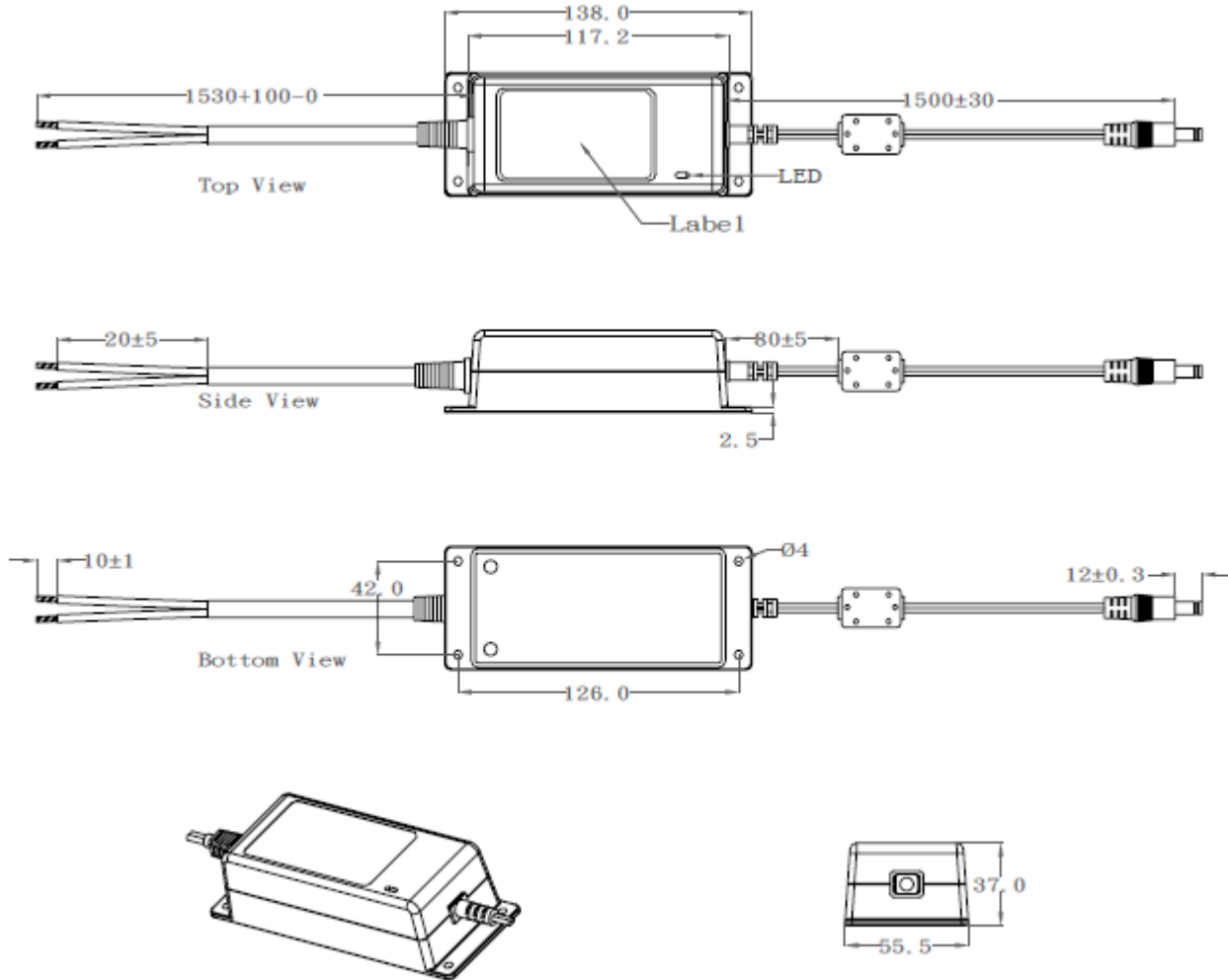
TT Electronics IoT Solutions Ltd
Tofts Farm East, Brenda Road, Hartlepool, TS25 2BQ, UK
t: +44 (0) 1429 852 500

INSTALLATION POWER SUPPLY

24VDC 65WATT

POWERPAX: SW4265

Diagrams



General Note
 TT Electronics reserves the right to make changes in product specification without notice or liability. All information is subject to TT Electronics' own data and is considered accurate at time of going to print.

POWERPAX

TT Electronics IoT Solutions Ltd
 Tofts Farm East, Brenda Road, Hartlepool, TS25 2BQ, UK
 t: +44 (0) 1429 852 500