

# 711 Series

## Electromechanical Hour Meter



The Model 711 provides a family of compact 7 figure, AC Hour Meters. Models are available in the standard industry housings, 2- Hole rectangular, flush-round and flush-rectangular. A choice of two rectangular panel cutouts are offered 1.45" X 0.95" [36.8mm X 24.1mm] or 1.45" X 0.87" [36.8mm X 2.1mm]. The Round meter has a panel cutout of 1.99" [50.5mm].

### Key Features

- 7 figure, 99999.99
- Various voltage inputs
- Large figures, 0.14" [3.6mm]
- CE Compliant, ROHS
- UL Recognized
- Synchronous Motor
- Options include:
  - Special voltages
  - Terminations
  - Panel cutout

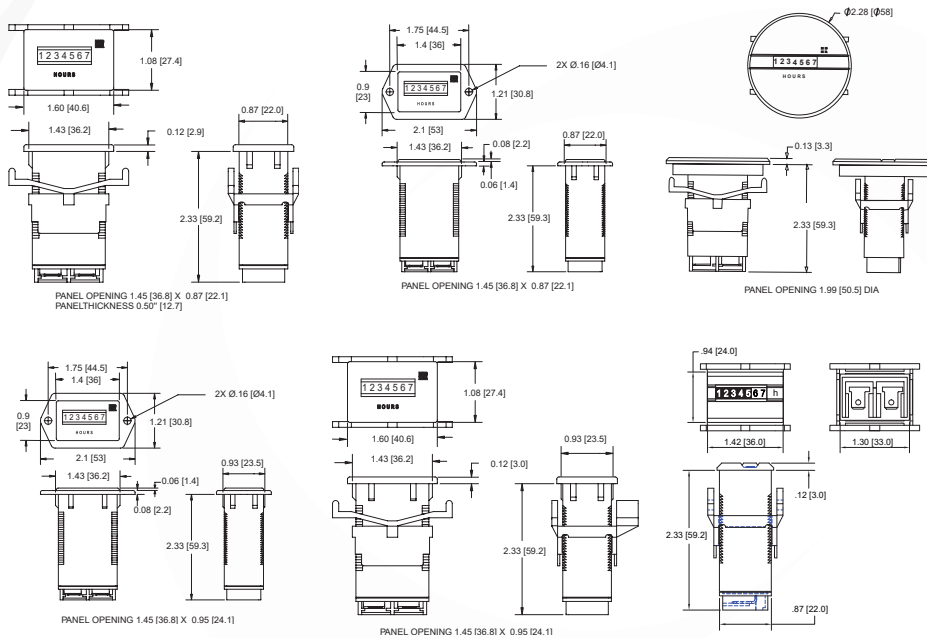
### Applications

- Office Equipment
- Test Equipment
- Medical Equipment

## Specification

<b>Figures</b>	7 figures, 0.14" [3.6mm] 99999.99
<b>Reset</b>	Non-reset
<b>Voltages</b>	24, 115 or 230VAC ( $\pm 10\%$ )
<b>Case Material</b>	Black polymer
<b>Weight</b>	1.2oz. [35g]
<b>Power</b>	2 watts AC
<b>Mount</b>	Clip or mounting holes
<b>Terminations</b>	1/4" [6.3mm] spade terminals with screws (AC)
<b>Temp. Range</b>	-22°F to +180°F [-30°C to +82°C]
<b>Storage Temp.</b>	-40°F to +185°F [-40°C to +85°C]
<b>Vibration</b>	1g [10/500Hz] IEC 68-T2-34
<b>Shock</b>	30g [18ms] IEC 68-T2-27 25g [16ms] IEC 68-T2-19
<b>Approvals</b>	CE Compliant, UL Recognized

## Dimensions



## Part Numbers

Models	Voltage AC	Mount	Panel Cut-out			
			1.45 X .87	1.45 X .95	1.99	1.299 x .866
711-0013	115VAC/60Hz	Round			X	
711-0014	230VAC/60Hz	Round			X	
711-0100	230VAC/60Hz	Flush Rect.				X
711-0113	115VAC/60Hz	Flush Rect.	X			
711-0114	24VAC/60Hz	Flush Rect.	X			
711-0120	115VAC/60Hz	Flush Rect		X		
711-0123	230VAC/60Hz	Flush Rect.		X		
711-0130	115VAC/60Hz	2-Hole		X		
711-0131	230VAC/60Hz	2-Hole	X			
711-0132	24VAC/60Hz	2-Hole	X			
711-0133	115VAC/50Hz	2-Hole	X			
711-0138	230VAC/60Hz	Flush Rect.	X			



These 7 figure, AC hour meters with running indicators, offer crisp, distinctive styling for many panel applications. Available in square and round bezel, flush mount, or three-hole round panel mount. Each is light-weight, low power, and carry UL and CE approvals.

## Key Features

- 7 figure, 99999.99
- Various voltage inputs
- Distinctive styling
- Synchronous Motor
- Options include:
  - Terminations
  - Din rail
  - VoltagesPanel cutout

## Applications

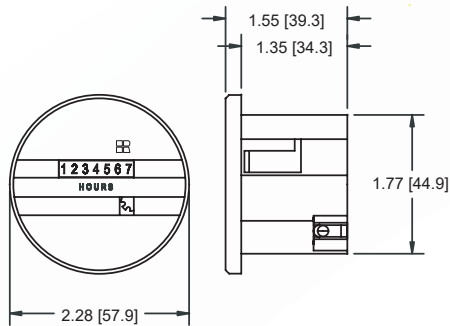
- Office Equipment
- Test Equipment
- Medical Equipment

## Specification

<b>Figures</b>	7 figures, 0.14" high [3.6mm], 99,999.99 hours
<b>Reset</b>	Non-reset
<b>Voltages</b>	24, 115, or 230VAC (+/-10%)
<b>Power</b>	3 watts (AC)
<b>Mount</b>	Panel (mounting hardware included)
<b>Terminations</b>	1/4" [6.3mm] spade terminals, with removable screws, or 8" [203mm] wire leads
<b>Front Panel</b>	IP65
<b>Temp. Range</b>	-22°F to +158°F [-30°C to +70°C]
<b>Weight</b>	1.6 oz. [46g]
<b>Approvals</b>	UL Recognized, CE Compliant, ROHS

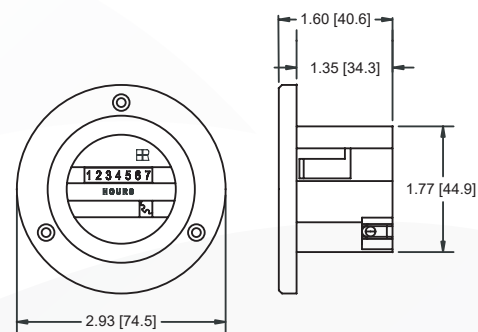
## Dimensions

### 2.28" Dia. Flush



Panel cutout: 1.99" [50] Dia. or 1.81" [46] Sq.

### 3 - Hole Round

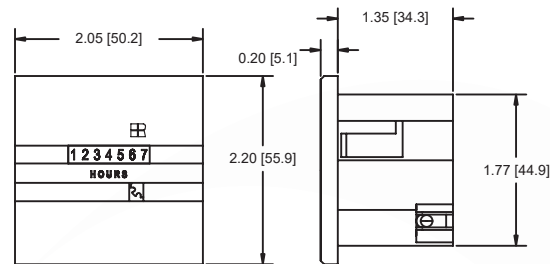


Panel cutout: 1.99" [50] Dia. or 1.81" [46] Sq.

Screws provided: 4-40 x 5/8" [16]

Bolt hole circle: 2.44" [62]

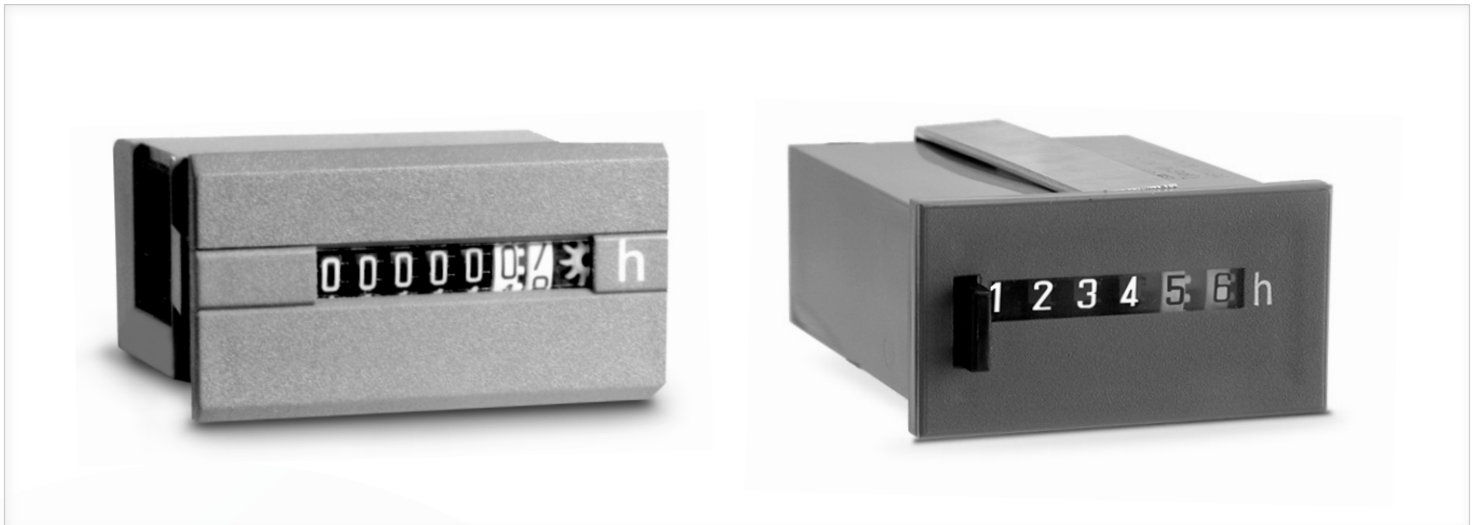
### 1.89" or 2.05" Square



Panel cutout: 1.99" [50] Dia. or 1.81" [46] Sq.  
(for 1.89" Sq. use 1.81" [46] Sq. cutout only)

## Part Numbers

<b>711-0150</b>	115VAC/60Hz, 2.28" Dia.,	Flush mount, screw termination
<b>711-0152</b>	230VAC/60Hz, 2.28" Dia.,	Flush mount, screw termination
<b>711-0160</b>	115VAC/60Hz, 2.93" Dia.,	3-hole round, screw termination
<b>711-0162</b>	230VAC/60Hz, 2.93" Dia.,	3-hole round, screw termination
<b>711-0163</b>	230VAC/50Hz, 2.93" Dia.,	3-hole round, screw termination
<b>711-0164</b>	24VAC/60Hz, 2.93" Dia.,	3-hole round, screw termination
<b>711-0180</b>	115VAC/60Hz, 1.89" Sq.,	Flush mount, screw termination
<b>711-0182</b>	24VAC/60Hz, 1.89" Sq.,	Flush mount, screw termination
<b>711-0190</b>	115VAC/60Hz, 2.05" Sq.,	Flush mount, screw termination
<b>711-0192</b>	24VAC/60Hz, 2.05" Sq.,	Flush mount, screw termination
<b>711-0193</b>	115VAC/50Hz, 2.05" Sq.,	Flush mount, screw termination
<b>711-0195</b>	24VAC/50Hz, 2.05" Sq.,	Flush mount, screw termination



A rectangular style AC hour meter designed to complement existing meters in control panels. Available in 6 figure reset or 7 figure non-reset. The nonreset model incorporates a retaining clip to lock into panel, while the reset version has a metal bracket and screw.

### Key Features

- Large figures
- 6 or 7 digits
- CE Compliant, ROHS
- Synchronous Motor
- Options include:
  - Reset or non-reset

### Applications

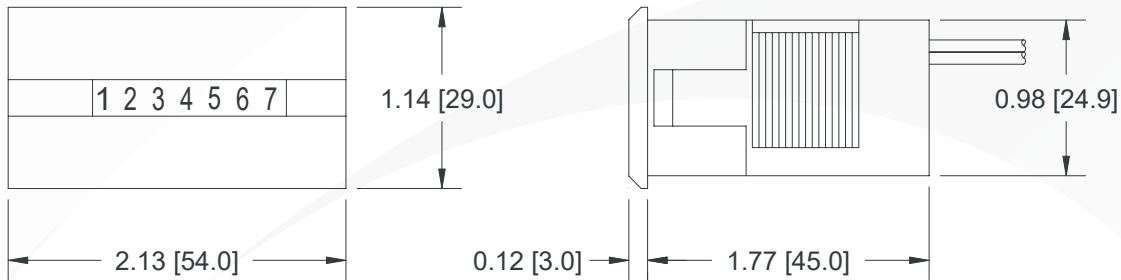
- Office Equipment
- Test Equipment
- Medical Equipment

### Specification

<b>Figures</b>	6 figure (reset) or 7 figure (non-reset), 0.19" [5mm] high 9,999.99 hours. (reset version) 99,999.99 hours. (non-reset models)
<b>Reset</b>	Push-button, or non-reset
<b>Voltages</b>	115VAC (+/- 10%), 50 or 60 Hz.
<b>Power</b>	2 watts (nominal)
<b>Mount</b>	Panel (mounting hardware included)
<b>Terminations</b>	19" [483mm] wire leads
<b>Front Panel</b>	IP65
<b>Temp. Range</b>	-4°F to +158°F [-20°C to +70°C]
<b>Weight</b>	2 oz. [57g]
<b>Approvals</b>	CE Compliant, ROHS
<b>Options</b>	Voltages

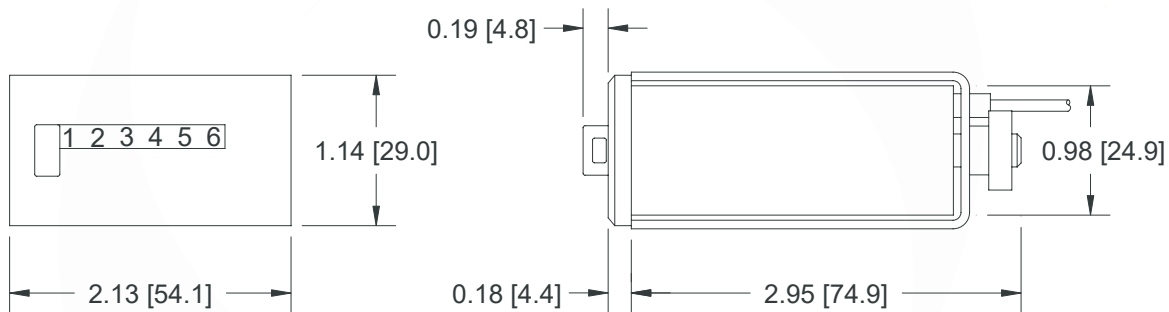
## Dimensions

### Non-Reset



Panel cutout: 1.98" x 0.99" [50.3 x 25.1]

### Reset



Panel cutout: 1.98" x 0.99" [50.3 x 25.1]

## Part Numbers

<b>711-0019</b>	115VAC/60Hz, reset,	6 figure, 9,999.99hrs.,	19" [483mm] wire leads
<b>711-0020</b>	115VAC/60Hz, non-reset,	7 figure, 99,999.99hrs.,	19" [483mm] wire leads
<b>711-0041</b>	115VAC/50Hz, non-reset,	7 figure, 99,999.99hrs.,	19" [483mm] wire leads
<b>711-0144</b>	115VAC/50Hz, reset,	6 figure, 9,999.99hrs.,	19" [483mm] wire leads

