

576779 ✓ ACTIVE

AMP

TE Internal #: 576779

Portable Crimp Tools, Premium Crimp Tooling, Not Releasable, Not Adjustable, Fixed In Tool, MIL Spec / TE Product Specification (114-)

[View on TE.com >](#)



Application Tooling > Portable Crimp Tools



Tool Grade: Premium Crimp Tooling

Ratchet Configuration: Not Releasable, Not Adjustable

Die Sets Type: Fixed In Tool

Specification Type: MIL Spec, TE Product Specification (114-)

TE Certification: Cannot be Certified

## Features

### Other

Crimp Form-Wire Barrel Type	Closed Barrel - Confined Crescent
Tool Grade	Premium Crimp Tooling
Ratchet Configuration	Not Releasable, Not Adjustable
Die Sets Type	Fixed In Tool
Specification Type	MIL Spec, TE Product Specification (114-)
TE Certification	Cannot be Certified
Power Technology Type	Battery, Manual
Tooling Type	Heavy Head Hand Tool

## Product Compliance

[For compliance documentation, visit the product page on TE.com>](#)

EU RoHS Directive 2011/65/EU	Out of Scope
EU ELV Directive 2000/53/EC	Out of Scope
China RoHS 2 Directive MIIT Order No 32, 2016	Not reviewed for China RoHS compliance
EU REACH Regulation (EC) No. 1907/2006	Current ECHA Candidate List: JAN 2021 (211) Candidate List Declared Against: JAN 2021 (211) Does not contain REACH SVHC

Halogen Content

Not Yet Reviewed for halogen content

Solder Process Capability

Not applicable for solder process capability

Product Compliance Disclaimer

This information is provided based on reasonable inquiry of our suppliers and represents our current actual knowledge based on the information they provided. This information is subject to change. The part numbers that TE has identified as EU RoHS compliant have a maximum concentration of 0.1% by weight in homogenous materials for lead, hexavalent chromium, mercury, PBB, PBDE, DBP, BBP, DEHP, DIBP, and 0.01% for cadmium, or qualify for an exemption to these limits as defined in the Annexes of Directive 2011/65/EU (RoHS2). Finished electrical and electronic equipment products will be CE marked as required by Directive 2011/65/EU. Components may not be CE marked. Additionally, the part numbers that TE has identified as EU ELV compliant have a maximum concentration of 0.1% by weight in homogenous materials for lead, hexavalent chromium, and mercury, and 0.01% for cadmium, or qualify for an exemption to these limits as defined in the Annexes of Directive 2000/53/EC (ELV). Regarding the REACH Regulation, the information TE provides on SVHC in articles for this part number is based on the latest European Chemicals Agency (ECHA) 'Guidance on requirements for substances in articles' posted at this URL: <https://echa.europa.eu/guidance-documents/guidance-on-reach>

## Compatible Parts



TE Part # 152895  
20 PIDG RT NO 6 STUD PURPL



TE Part # 50832  
TERMINAL,PIDG PTFE R 22-20 8



TE Part # 1577625-1  
TERMINAL RT PIDG PEEK STRATO 20 AWG



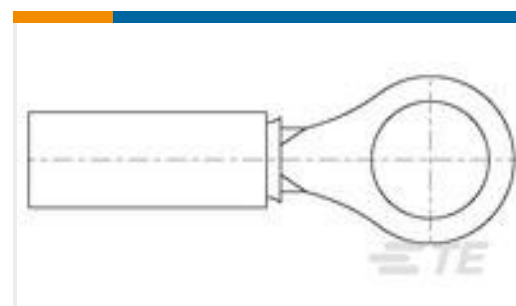
TE Part # 1577626-1  
TERMINAL RT PIDG PEEK STRATO 20 AWG



TE Part # 50832-1  
TERMINAL,PIDG PTFE R 22-20 10



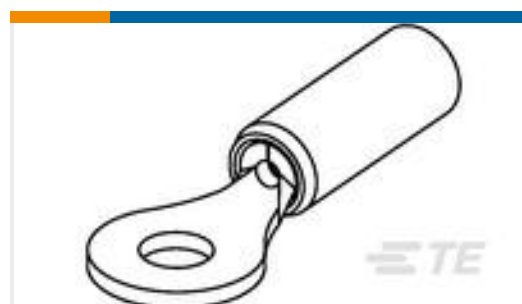
TE Part # 1577623-1  
TERMINAL, PEEK PIDG STRATO, 20AWG



TE Part # 1577624-1  
TERMINAL RT PIDG PEEK STRATO 20 AWG



TE Part # 50831  
TERMINAL,PIDG PTFE R 22-20 4



TE Part # 1577622-1  
TERMINAL, PEEK PIDG STRATO, 20AWG



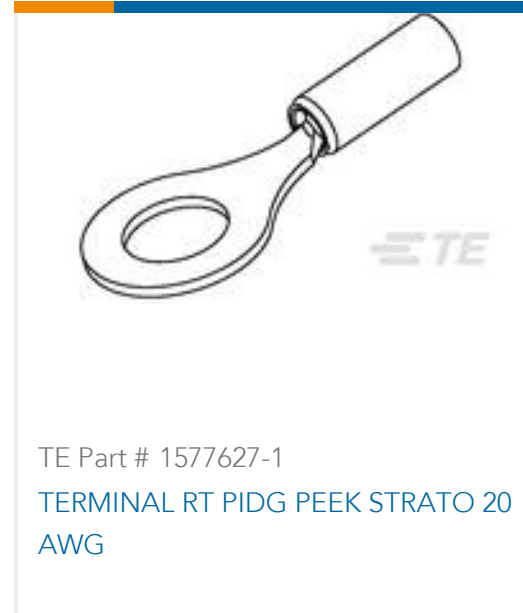
TE Part # 50831-1  
TERMINAL,PIDG PTFE R 22-20 6



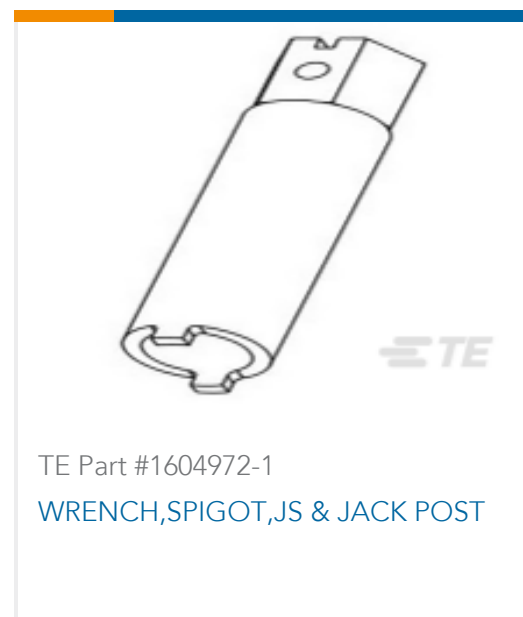
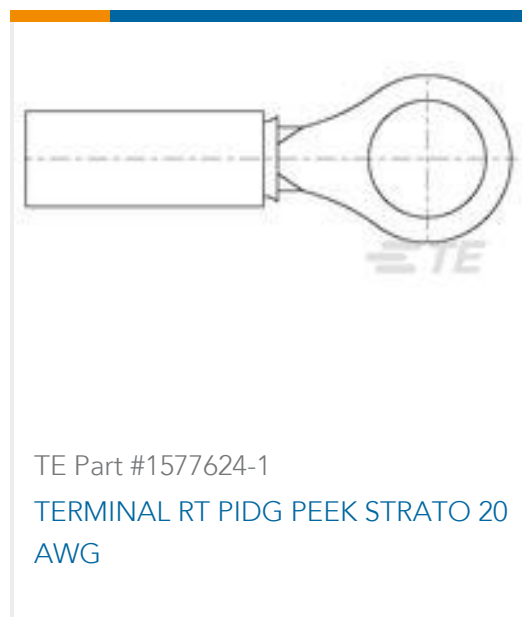
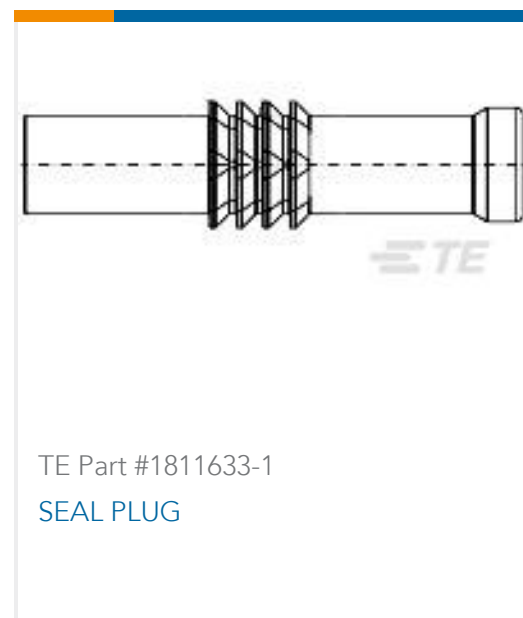
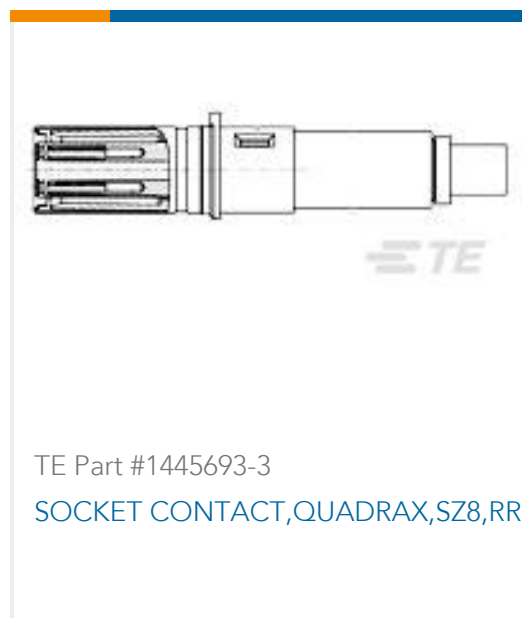
TE Part # 152890  
SIZE 20 R/T 1/4 STUD PURPL



TE Part # 152891  
TERMINAL R T PIDG AWG 20 10 PURPLE



### Customers Also Bought



### Documents



### Datasheets & Catalog Pages

[CERTI-CRIMP II-Premium-August-1-1773864-7](#)

English

[Crimp Term Whitepaper-Use the Right Tool 1-1773953-1](#)

English

[Bottoming Dies](#)

English

[CRIMPING WHERE FORM MEETS FUNCTION](#)

English

---

### Instruction Sheets

[Instruction Sheet \(U.S.\)](#)

English

[Instruction Sheet \(U.S.\)](#)

English