

1-2366515-6 ✓ ACTIVE



TE Internal #: 1-2366515-6

Housing, Receptacle, Wire-to-Wire, 6 Position, 2mm [.079in]

Centerline, Crimp, 2 Row, Row-to-Row Spacing .079 in [2 mm],

Black Housing Color

[View on TE.com >](#)

Connectors > PCB Connectors > Wire-to-Board Connectors > Wire-to-Board Connector Assemblies & Housings



Connector Product Type: **Housing**

Connector & Housing Type: **Receptacle**

Connector System: **Wire-to-Wire**

Number of Positions: **6**

Centerline (Pitch): **2 mm [.079 in]**

## Features

### Product Type Features

Connector Product Type	Housing
Connector & Housing Type	Receptacle
Connector System	Wire-to-Wire
Sealable	No
Connector & Contact Terminates To	Wire & Cable

### Configuration Features

Number of Positions	6
Number of Rows	2

### Contact Features

Contact Current Rating (Max)	8 A
------------------------------	-----

### Termination Features

Termination Method to Wire & Cable	Crimp
------------------------------------	-------

### Mechanical Attachment

Connector Mounting Type	Cable Mount (Free-Hanging)
-------------------------	----------------------------



### Housing Features

Centerline (Pitch)	2 mm [.079 in]
Housing Color	Black

### Dimensions

Row-to-Row Spacing	2 mm [.079 in]
--------------------	----------------

### Usage Conditions

Operating Temperature Range	-55 – 125 °C [-67 – 257 °F]
-----------------------------	-----------------------------

### Operation/Application

Circuit Application	Power & Signal
---------------------	----------------

## Product Compliance

[For compliance documentation, visit the product page on TE.com>](#)

EU RoHS Directive 2011/65/EU	Compliant
EU ELV Directive 2000/53/EC	Compliant
China RoHS 2 Directive MIIT Order No 32, 2016	No Restricted Materials Above Threshold
EU REACH Regulation (EC) No. 1907/2006	Current ECHA Candidate List: JAN 2021 (211) Candidate List Declared Against: JAN 2021 (211) Does not contain REACH SVHC
Halogen Content	Not Low Halogen - contains Br or Cl > 900 ppm.
Solder Process Capability	Not reviewed for solder process capability

#### Product Compliance Disclaimer

This information is provided based on reasonable inquiry of our suppliers and represents our current actual knowledge based on the information they provided. This information is subject to change. The part numbers that TE has identified as EU RoHS compliant have a maximum concentration of 0.1% by weight in homogenous materials for lead, hexavalent chromium, mercury, PBB, PBDE, DBP, BBP, DEHP, DIBP, and 0.01% for cadmium, or qualify for an exemption to these limits as defined in the Annexes of Directive 2011/65/EU (RoHS2). Finished electrical and electronic equipment products will be CE marked as required by Directive 2011/65/EU. Components may not be CE marked. Additionally, the part numbers that TE has identified as EU ELV compliant have a maximum concentration of 0.1% by weight in homogenous materials for lead, hexavalent chromium, and mercury, and 0.01% for cadmium, or qualify for an exemption to these limits as defined in the Annexes of Directive 2000/53/EC (ELV). Regarding the REACH Regulation, the information TE provides on SVHC in articles for this part number is based on the latest European Chemicals Agency (ECHA) 'Guidance on requirements for substances in articles' posted at this URL: <https://echa.europa.eu/guidance-documents/guidance-on-reach>

## Compatible Parts



TE Part # 1-2366600-6  
DYNAMIC D1000 SLIM TAB HSG 6P X KEY



TE Part # 2367817-1  
DYNAMIC D1000 SL REC CONT S SIZE Au0.2



TE Part # 2367817-2  
DYNAMIC D1000 SL REC CONT M SIZE Au0.2



TE Part # 2367818-1  
DYNAMIC D1000SL REC CONT S SIZE AU0.2 LP



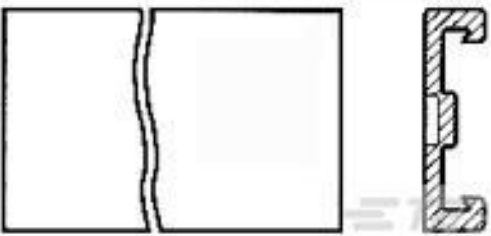
TE Part # 2367818-2  
DYNAMIC D1000SL REC CONT M SIZE AU0.2 LP

### Customers Also Bought

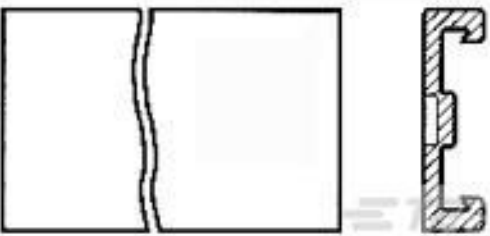


**ANVIL** REPRESENTATION ONLY

TE Part #8-1633927-0  
ANVIL, COMBINATION



TE Part #1-640643-4  
14P MTA156 COVER F/T



TE Part #1-640643-5  
15P MTA156 COVER F/T



TE Part #1333228-6  
ANVIL

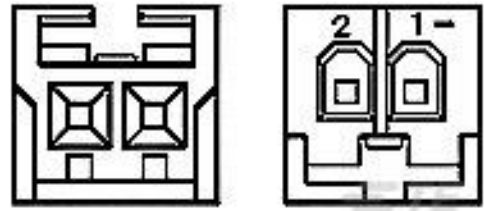


TE Part #176292-6  
UNIV POWER CAP HSG 2P P/MOUNT



**ANVIL** REPRESENTATION ONLY

TE Part #1803000-2  
ANVIL, COMBINATION, END FEED



TE Part #2-172486-2  
2P REC HSG CRIMP EI SER BLACK



TE Part #2151157-1  
OCEAN\_2.0\_Applicator-S-055F108F



TE Part #2266240-1  
OCEAN\_2.0\_APPPLICATOR-S-046F044F



TE Part #2266701-1  
OCEAN\_2.0\_Applicator-S-055F070F

### Documents



### Product Drawings

#### DYNAMIC D1000 SLIM REC HSG 6P X KEY

English

---

### CAD Files

#### 3D PDF

3D

#### Customer View Model

[ENG\\_CVM\\_CVM\\_1-2366515-6\\_1.2d\\_dxf.zip](#)

English

#### Customer View Model

[ENG\\_CVM\\_CVM\\_1-2366515-6\\_1.3d\\_igs.zip](#)

English

#### Customer View Model

[ENG\\_CVM\\_CVM\\_1-2366515-6\\_1.3d\\_stp.zip](#)

English

By downloading the CAD file I accept and agree to the [Terms and Conditions](#) of use.

---

### Datasheets & Catalog Pages

#### DYNAMIC D1000 SLIM WIRE-TO-WIRE CONNECTOR

English

---

### Product Specifications

#### Product Specification

English

---

### Product Environmental Compliance

#### Product Compliance

English

#### Product Compliance

English

---

### Instruction Sheets

#### Instruction Sheet (U.S.)

English